

Spare Parts List
Exact-Air® II



Spare Parts

Maintain Optimal Performance and Minimize Downtime

To help you select and manage the spare parts required for your system, our experts have performed a risk assessment to determine which parts to keep in stock.

The risk assessment is based on our experience; each customer must perform their individual risk assessment for their process, to check the alignment with our strategy and review the stock requirements accordingly.

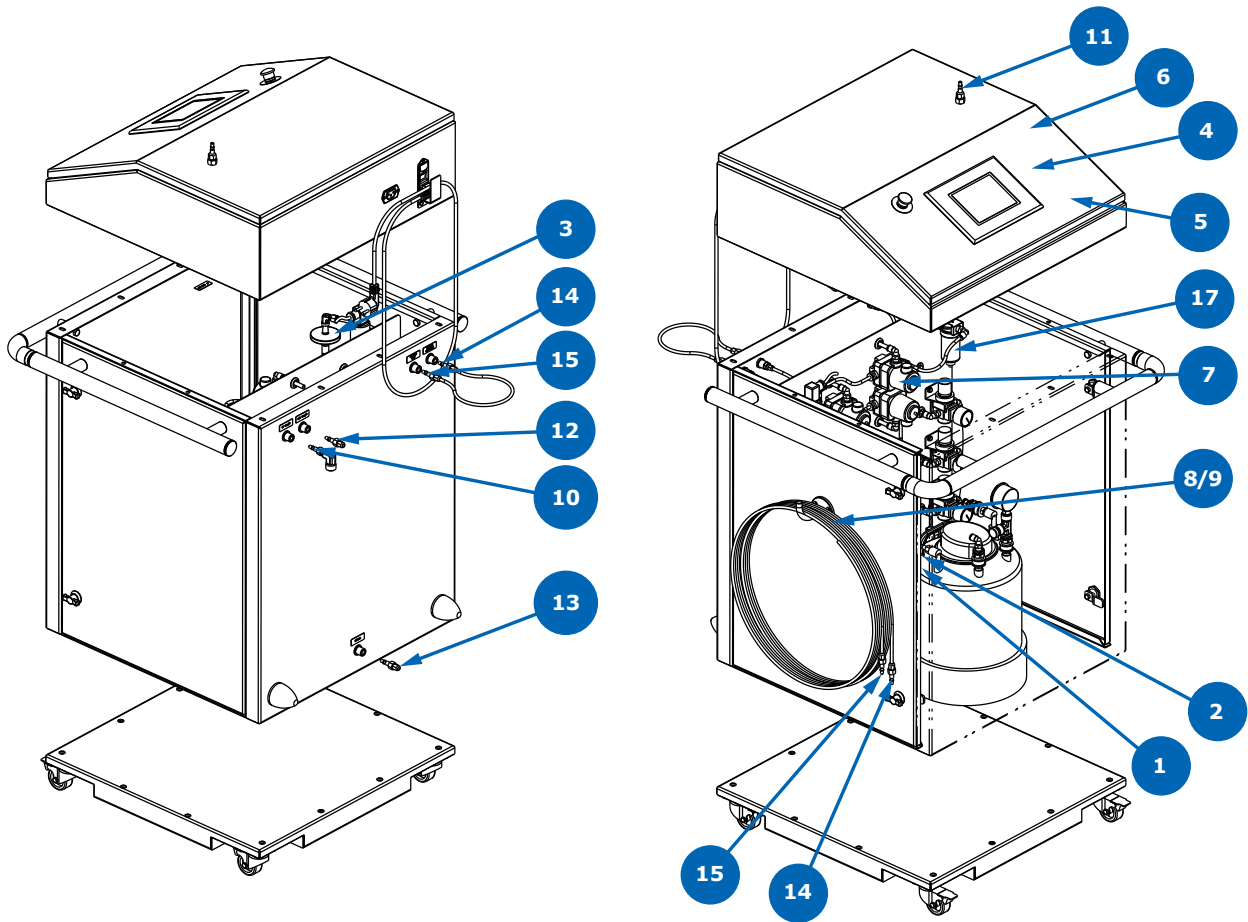
As a result of this risk assessment, we defined 3 categories of spare parts:

Type of parts	Description	Stock recommendation
Preventive maintenance parts	These are parts that are subject to wear and tear and that we recommend replacing on a regular basis. Under average usage conditions, these parts should be replaced at least once per year. A risk assessment based on the specific system usage and production conditions may result in a requirement to replace some or all of these parts more frequently. Not replacing wear and tear parts as recommended can impact system functionality and may result in system shutdown.	1 part per unit
Critical parts	These parts have been identified as most critical to avoiding system downtime and are recommended to be kept in stock for immediate availability.	1 part per unit
All other parts	All other individual parts.	Risk-based customer decision

Based on our risk analysis, preventive maintenance and critical spare parts are essential to keep your equipment running. We recommend keeping preventive maintenance and critical spare parts in stock.

For additional information, please visit:

[MerckMillipore.com/Systems-Services](https://www.merckmillipore.com/Systems-Services)



#	Cat. Number	Description	Classification (PM*, critical**, other)	Quantity	Field Service required for installation
1	FTPF00861	2" TC silicone gasket, 5/pk	PM	1	yes
2	FTPF03342	3/4" TC silicone gasket, 10/pk	PM	1	yes
3	MTGR75010	Aervent® Filter 1/8", 10/pk	PM	1	yes
4	PF10831	PLC battery type S7-200	PM	1	yes
5	FTPF03326	Coil	Critical	1	yes
6	FTPF03328	Led	Critical	1	yes
7	FTPF06589	EPDM membrane DN12 for valve, 3/pk	Critical	7	yes
8	FTPF11194	Flexible tubing, blue, 20 m	Critical	20 m	yes
9	FTPF11195	Flexible tubing, gray, 20 m	Critical	20 m	yes
10	FTPF11201	Male quick connect (yellow), NPT 1/4" M	Critical	1	yes
11	FTPF11202	Female quick connect, G 1/8" M	Critical	1	yes
12	FTPF11204	Male quick connect (green), T 4-6 mm	Critical	1	yes
13	FTPF11205	Male quick connect (red), T 4-6 mm	Critical	1	yes
14	FTPF11206	Male quick connect (blue), T 4-6 mm, 2/pk	Critical	2	yes
15	FTPF11207	Male quick connect (black), T 4-6 mm, 2/pk	Critical	2	yes
16	FTPF11208	Female quick connect, T 4-6 mm	Critical	1	yes
17	XEIT30035	Liquid trap	Critical	1	yes
18	FTPF11203	Rubber cap	Other	1	yes

For more information, please visit
SigmaAldrich.com/integrity-testers

