

# Spare parts for Mobius® FlexReady Solution with Smart Flexware® Assemblies

For Chromatography and TFF



The life science business of Merck operates  
as MilliporeSigma in the U.S. and Canada.

# Table of contents

Spare Parts List.....	3-7
-----------------------	-----

## Smart Base

Smart Base—Skid.....	8
Smart Base—Electrical Box.....	9

## Clamshell

XMO1/2 Clamshell.....	10
XMO3 Clamshell.....	11
TF2S Clamshell.....	12
TF3S Clamshell.....	13

## Pump Cart & Pump

XMO1/2 & XMO3 & TF2S Pump Cart without Pumps—Skid.....	14
XMO1/2 & XMO3 & TF2S Pump Cart without Pumps—Electrical Box IB04.....	15
XMO1/2 & XMO3 & TF2S Pump Cart without Pumps—Electrical Box IB04A.....	16
TF3S Pump Cart with Pumps—Skid.....	17
TF3S Pump Cart with Pumps—Electrical Box IB04.....	18
TF3S Pump Cart with Pumps—Electrical Box IB04A.....	19
XMO1/2 Pump (150SU).....	20
XMO3 & TF2S Pump (1200SU).....	21

## Manifold

XMO1/2 & XMO3 Manifold.....	22
TF2S & TF3S Manifold for Opened Processing.....	23
TF2S Manifold for Closed Processing.....	24

## Flowmeter

XMO1/2 Multi-Use Flowmeter.....	25
XMO3 Multi-Use Flowmeter.....	26
XMO3 Single-Use Flowmeter.....	27

## Tank Cart

50 L Plastic Tank Cart—Skid.....	28
50 L Stainless Steel Tank Cart—Skid.....	29
100 L Plastic Tank Cart—Skid.....	30
100 L Stainless Steel Tank Cart—Skid.....	31
200 L Plastic Tank Cart—Skid.....	32
200 L Stainless Steel Tank Cart—Skid.....	33
50 L Tank—Electrical Box.....	34
100 L & 200 L Tank—Electrical Box.....	35

## Instrumentation

XMO1/2 & XMO3 Multi-Use Post-Column Instrumentation (pH/UV/Conductivity).....	36
XMO1/2 & XMO3 Multi-Use Pre-Column Instrumentation (pH/Conductivity).....	37
XMO1/2 & XMO3 Single-Use Post-Column Instrumentation (pH/UV/Conductivity).....	38
XMO1/2 & XMO3 Single-Use Pre-Column Instrumentation (pH/Conductivity).....	39
XMO1/2 & XMO3 Pre- & Post-Column Instrumentation Transmitter.....	40
TF2S & TF3S Multi-Use Filtrate Conductivity.....	41
TF2S & TF3S Multi-Use Filtrate UV.....	42
TF2S & TF3S Single-Use Filtrate UV & Conductivity.....	43
TF2S & TF3S Filtrate Instrumentation Transmitter.....	44

## Accessories

XMO1/2 & XMO3 Bubble Trap Support.....	45
TF2S Cassettes Holder (up to 10 m <sup>2</sup> ).....	46
TF3S Cassettes Holder (up to 20 m <sup>2</sup> ).....	47

## Clamshell Lift & Storage

Clamshell Lift.....	48
Storage Rack.....	49

## Spare Parts

To help you select and manage the spare parts required for your system, our experts have performed a risk assessment to determine which parts to keep in stock.

The risk assessment is based on our experience; each customer must perform their individual risk assessment for their process, to check the alignment with our strategy and review the stock requirements accordingly.

As a result of this risk assessment, we defined 3 categories of spare parts:

Type of parts	Description	Stock recommendation
Preventive maintenance parts	<p>These are parts that are subject to wear and tear and that we recommend replacing on a regular basis. Under average usage conditions, these parts should be replaced at least once per year. A risk assessment based on the specific system usage and production conditions may result in a requirement to replace some or all of these parts more frequently.</p> <p>Not replacing wear and tear parts as recommended can impact system functionality and may result in system shutdown.</p>	1 part per unit
Critical parts	<p>These parts have been identified as most critical to avoiding system downtime and are recommended to be kept in stock for immediate availability.</p>	1 part per unit
All other parts	<p>All other individual parts.</p>	Risk-based customer decision

Based on our risk analysis, preventive maintenance and critical spare parts are essential to keep your equipment running. We recommend keeping preventive maintenance and critical spare parts in stock.

For additional information, please visit: [MerckMillipore.com/Systems-Services](https://www.MerckMillipore.com/Systems-Services)

# Spare part list

Number	Catalogue Number	Description	Chrom	TFF	Preventive Maintenance (PM), Critical, Others	Field Service Required	Frequency
#1	SPKMBSMTBASE001	SMART, Set of 2 Wheels With Brakes	X	X	Other	Yes	As required
#2	SPKMBSMTBASE002	SMART, Set of 2 Wheels	X	X	Other	Yes	As required
#3	SPKMBSMTBASE003	SMART Cart, Locking Device	X	X	Other	No	Every 12 months
#4	SPKMBSMTBASE004	SMART Cart, Long Ball Pin A	X	X	Critical	Yes	As required
#5	SPKMBSMTBASE005	SMART Cart, Long Ball Pin B	X	X	Critical	Yes	As required
#6	SPKMBSMTBASE006	SMART Cart, Connector Jack	X	X	Critical	Yes	As required
#7	SPKMBSMTBASE007	SMART Cart, Automatic Connector	X	X	Critical	Yes	As required
#8	SPKMBSMTBASE008	SMART Cart, Door Axis Kit	X	X	Other	Yes	As required
#9	SPKMBSMTBASE009	SMART Cart, Door Kit	X	X	Critical	Yes	As required
#10	SPKMBSMTBASE010	SMART Cart, Mold Unlock Jack Kit	X	X	Critical	Yes	As required
#11	SPKMBSMTBASE011	SMART Cart, Mold Lock Slide	X	X	Other	Yes	As required
#12	SPKMBSMTBASE012	SMART Cart, Door Glass	X	X	Other	Yes	As required
#13	SPKMBSMTBASE013	SMART Cart, Front Trapdoor	X	X	Other	Yes	As required
#14	SPKMBSMTBASE014	SMART Cart, HMI Pivot Device	X	X	Other	Yes	As required
#15	SPKMBSMTBASE015	SMART, Set of Balls And O-Rings For Locking Device	X	X	PM	No	Every 6 months
#16	SPKMBSMTBASE020	SMART, Power Supply, 100-230 Vac/24 Vdc, 10 A	X	X	Critical	No	As required
#17	SPKMBSMTBASE021	SMART Cart, Valve Terminal Mpa	X	X	Critical	Yes	As required
#18	SPKMBSMTBASE023	SMART Cart, Set of 5 Air Filter Cartridges	X	X	PM	Yes	As required
#19	SPKMBSMTBASE025	SMART Cart, Plc Cpu With Memory Card	X	X	Critical	Yes	As required
#20	SPKMBSMTBASE026	SMART, I/O Modules Replacement Kit 1	X	X	Critical	Yes	As required
#21	SPKMBSMTBASE027	SMART, Cube67 Bus Nodes Ethernet Ip	X	X	Critical	Yes	As required
#22	SPKMBSMTBASE028	SMART Cart, Plc Power Supply	X	X	Critical	No	As required
#23	SPKMBSMTBASE029	SMART Cart, Weight Transmitter	X	X	Critical	Yes	As required
#24	SPKMBSMTBASE030	SMART Cart, HMI	X	X	Critical	Yes	As required
#25	SPKMBSMTBASE031	SMART Cart, Proximity Sensors Kit	X	X	Critical	Yes	As required
#26	SPKMBSMTBASE033	SMART Cart, Male Combifac Connector	X	X	Critical	Yes	As required
#27	SPKMBSMTBASE034	SMART Cart, Pneumatic Components Kit	X	X	Other	Yes	As required
#28	SPKMBSMTBASE035	SMART Cart, ETH/IP Weight Transmitter	X	X	Critical	Yes	As required
#29	SPKMBSMTBBL001	SMART Cart Chrom., Bubble Trap Support, Level Sensor Kit	X		Critical	Yes	As required
#30	SPKMBSMTCS001	SMART CLAMSHELL, Automatic Connector	X	X	Critical	Yes	As required
#31	SPKMBSMTCS002	SMART TFF-2.5M2, Clamshell, Connector Clips Kit		X	Critical	No	As required
#32	SPKMBSMTCS003	SMART TFF-2.5M2, Clamshell, Valve Pads Kit		X	PM	No	Every 6 months
#33	SPKMBSMTCS004	SMART, Clamshell, Ball Pin	X	X	Other	Yes	As required
#34	SPKMBSMTCS005	SMART, Clamshell, Set of 4 Fasteners	X	X	Other	Yes	As required
#35	SPKMBSMTCS006	SMART, Clamshell, Nc/No Pinch Valve 3/8"	X	X	Critical	Yes	As required
#36	SPKMBSMTCS007	SMART TFF-2.5M2, Clamshell, Nc/No Pinch Valve 14Mm		X	Critical	Yes	As required
#37	SPKMBSMTCS008	SMART TFF-2.5M2, Clamshell, Nc Pinch Valve 5/8"		X	Critical	Yes	As required
#38	SPKMBSMTCS009	SMART TFF-2.5M2, Clamshell, Nc Pcv Pinch Valve 5/8"		X	Critical	Yes	As required
#39	SPKMBSMTCS010	SMART TFF-2.5M2, Clamshell, No Pcv Pinch Valve 14Mm		X	Critical	Yes	As required
#40	SPKMBSMTCS011	SMART, Clamshell, Connector Cover	X	X	Other	No	As required
#41	SPKMBSMTCS012	SMART TFF-2.5M2, Clamshell, Front Mold		X	Other	Yes	As required
#42	SPKMBSMTCS013	SMART Chrom. 2.2 L/Min, Clamshell, Connector Clips Kit	X		Critical	No	As required
#43	SPKMBSMTCS014	SMART Chrom. 2.2 L/Min, Clamshell, Valve Pads Kit	X		PM	No	Every 6 months
#44	SPKMBSMTCS015	SMART Chrom. 2.2 L/Min, Clamshell, Nc/No Pinch Valve 1/4"	X		Critical	Yes	As required
#45	SPKMBSMTCS016	SMART Chrom. 2.2 L/Min, Clamshell, No Pcv Pinch Valve 1/4"	X		Critical	Yes	As required



Number	Catalogue Number	Description	Chrom	TFF	Preventive Maintenance (PM), Critical, Others	Field Service Required	Frequency
#46	SPKMBSMTCS017	SMART Chrom. 2.2 L/Min, Clamshell, Front Mold	X		Critical	Yes	As required
#47	SPKMBSMTCS018	SMART Chrom. 8.0 L/Min, Clamshell, Connector Clips Kit	X		Critical	No	As required
#48	SPKMBSMTCS019	SMART Chrom. 8.0 L/Min, Clamshell, Valve Pads Kit	X		PM	No	Every 6 months
#49	SPKMBSMTCS020	SMART Chrom. 8.0 L/Min, Clamshell, No Pcv Pinch Valve 3/8"	X		Critical	Yes	As required
#50	SPKMBSMTCS021	SMART Chrom. 8.0 L/Min, Clamshell, Front Mold	X		Other	Yes	As required
#51	SPKMBSMTCS022	SMART Chrom., Clamshell, Valve Terminal Mpa	X		Critical	Yes	As required
#52	SPKMBSMTCS023	SMART TFF-2.5M2, Clamshell, Valve Terminal Mpa		X	Critical	Yes	As required
#53	SPKMBSMTCS024	SMART, Clamshell, Control Valve Kit	X	X	Critical	Yes	As required
#54	SPKMBSMTCS025	SMART, Clamshell, Pressure Transmitter And Switch Kit	X	X	Critical	Yes	As required
#55	SPKMBSMTCS026	SMART, Clamshell, Pressure Transmitter	X	X	Critical	Yes	As required
#56	SPKMBSMTCS027	SMART, Clamshell, Magnetic Detector	X	X	Critical	Yes	As required
#57	SPKMBSMTCS028	SMART, Clamshell, Female Combitac Connector	X	X	Critical	Yes	As required
#58	SPKMBSMTCS029	SMART, Clamshell, Precision Pressure Regulator	X	X	Critical	Yes	As required
#59	SPKMBSMTCS030	SMART TFF-5.0M2, Clamshell, Valve Pads Kit		X	PM	No	Every 6 months
#60	SPKMBSMTCS031	SMART TFF-5.0M2, Clamshell, Nc/No Pinch Valve 3/4"		X	Critical	Yes	As required
#61	SPKMBSMTCS032	SMART TFF-5.0M2, Clamshell, Nc/No Pinch Valve 1/2"		X	Critical	Yes	As required
#62	SPKMBSMTCS033	SMART TFF-5.0M2, Clamshell, Front Mold		X	Critical	Yes	As required
#63	SPKMBSMTCS034	SMART TFF-5.0M2, Clamshell, Connector Clips Kit		X	Critical	No	As required
#64	SPKMBSMTCS035	SMART TFF-5.0M2, Clamshell, Valve Terminal Mpa		X	Critical	Yes	As required
#65	SPKMBSMTCS036	SMART TFF-5.0M2, Clamshell, 3/4" Fitting Maintaining Kit		X	Critical	No	As required
#66	SPKMBSMTCS042	SMART TFF, Clamshell, Flow Control Valve		X	Other	Yes	As required
#67	SPKMBSMTFIL002	SMART, TF3, TIE RODS 10,0M² & SU SUPPORT		X	Other	No	As required
#68	SPKMBSMTFLW001	SMART Chrom., Flowmeter Mechanical Spare Kit	X		Other	No	As required
69	SPKMBSMTFLW002	SMART Chrom., Flowmeter Cable	X		Critical	No	As required
#70	SPKMBSMTFLW003	SMART Chrom. 2.2 L/Min, Flowmeter Kit	X		Critical	No	As required
#71	SPKMBSMTFLW004	SMART Chrom. 2.2 L/Min, Flowmeter Converter Kit	X		Critical	No	As required
#72	SPKMBSMTFLW005	SMART Chrom. 8.0 L/Min, Flowmeter Kit	X		Critical	No	As required
#73	SPKMBSMTFLW006	SMART Chrom. 8.0 L/Min, Flowmeter Converter Kit	X		Critical	No	As required
74	SPKMBSMTFLW007	SMART Chrom. 8.0 L/min, SU Flowmeter Cable	X		Critical	No	As required
#75	SPKMBSMTFLW008	SMART Chrom. 8.0 L/Min, SU Flowmeter Converter Kit	X		Critical	No	As required
#76	SPKMBSMTFLW009	SMART Chrom. 8.0 L/Min, SU Flowmeter Kit	X		Critical	No	As required
#77	SPKMBSMTFLW010	SMART Chrom. 8.0 L/Min, SU Flowmeter Mechanical Spare Kit	X		Other	No	As required
#78	SPKMBSMTGEN001	SMART, Electrical Components Kit	X	X	Other	No	As required
79	SPKMBSMTGEN002	SMART, Interconnection Cables Kit	X	X	Other	No	As required
#80	SPKMBSMTGEN003	SMART, I/O Modules Replacement Kit 2	X	X	Critical	Yes	As required
#81	SPKMBSMTGEN004	SMART TFF-5.0M2, Electrical Components Kit		X	Other	No	As required
82	SPKMBSMTGEN005	SMART TFF-5.0M2, Cart Cable Kit		X	Other	No	As required
#83	SPKMBSMTMNFLD001	SMART Chrom., Manifold, Roller Kit	X	X	Other	No	As required
#84	SPKMBSMTMNFLD002	SMART, Manifold, Set of 3 Bearings	X		Other	No	As required
#85	SPKMBSMTMNFLD003	SMART Chrom., Manifold, Set of 5 Supports For Flexware®	X	X	Other	No	As required
#86	SPKMBSMTMNFLD004	SMART, Manifold, Air Supply Kit	X	X	Other	No	As required
#87	SPKMBSMTMNFLD005	SMART TFF-2.5M2, Manifold, Supports Kit For Flexware®		X	Other	No	As required
#88	SPKMBSMTMNFLD006	SMART Chrom., Manifold, Valve Terminal Mpa	X		Critical	Yes	As required
#89	SPKMBSMTMNFLD007	SMART Chrom., Manifold, Pneumatic Valve Kit	X		Critical	Yes	As required
#90	SPKMBSMTMNFLD008	SMART, Manifold, Pneumatic Kit	X	X	Other	Yes	As required
#91	SPKMBSMTMNFLD009	SMART, Manifold, Male Combitac Connector	X	X	Critical	Yes	As required
#92	SPKMBSMTMNFLD010	SMART TFF-2.5M2, Manifold, Valve Terminal Mpa		X	Critical	Yes	As required
#93	SPKMBSMTMNFLD011	SMART TFF-2.5M2, Manifold, Pneumatic Valve Kit		X	Critical	Yes	As required
#94	SPKMBSMTMNFLD012	SMART, Manifold, Locking Screw Kit	X		Other	No	As required

Number	Catalogue Number	Description	Chrom	TFF	Preventive Maintenance (PM), Critical, Others	Field Service Required	Frequency
#95	SPKMBSMTMNFLD014	Smart TFF, closed processing manifold, valve terminal MPA-L		X	Critical	Yes	As required
#96	SPKMBSMTMNFLD015	Smart TFF, closed processing manifold, I/O module replacement kit		X	Critical	Yes	As required
#97	SPKMBSMTMNFLD016	Smart TFF, closed processing manifold, pneumatic valve kit for NO valves		X	Critical	Yes	As required
#98	SPKMBSMTPCART001	SMART, Magnetic Catches Kit	X	X	Other	No	As required
#99	SPKMBSMTPCART002	SMART, Pump Cart, Set of 2 Wheels	X	X	Other	Yes	As required
#100	SPKMBSMTPCART003	SMART, Pump Cart, Right Trapdoor	X	X	Other	No	As required
#101	SPKMBSMTPCART004	SMART, Pump Cart, Column Kit	X	X	Other	Yes	As required
#102	SPKMBSMTPCART005	SMART, Pump Cart, Power Supply, 100–240 Vac/24 Vdc, 2.5 A	X	X	Critical	No	As required
#103	SPKMBSMTPCART006	SMART, Pump Cart, Power Supply, 100–240 Vac/48 Vdc, 12.5 A	X	X	Critical	No	As required
#104	SPKMBSMTPCART007	SMART, Pump Cart, Female Combitac Connector	X	X	Critical	Yes	As required
#105	SPKMBSMTPUMP001	SMART, Pumps Mechanical Spare Kit	X	X	Other	No	As required
106	SPKMBSMTPUMP002	SMART, Pump Cable For Pump 1200S	X	X	Critical	No	As required
#107	SPKMBSMTPUMP003	SMART, Pump 1200S Kit	X	X	Critical	No	As required
108	SPKMBSMTPUMP004	SMART, Pump Cable For Pump 150S	X	X	Critical	No	As required
#109	SPKMBSMTPUMP005	SMART, Pump 150S Kit	X	X	Critical	No	As required
#110	SPKMBSMTPUMP006	SMART TFF-5.0M2, Pump Kit 1200S		X	Critical	No	As required
#111	SPKMBSMTPUMP008	SMART, Pump 4400 Frequency Controller 200 V		X	Critical	Yes	As required
#112	SPKMBSMTPUMP009	SMART, Pump 4400 Mechanical Spare Kit		X	Critical	No	As required
#113	SPKMBSMTPUMP011	SMART, Pump 4400 Frequency Controller 400 V		X	Critical	Yes	As required
#114	SPKMBSMTPUMP012	Pump QF150, shaft bearing cap unit	X		PM	Yes	Every 1000h or at least once a year
#115	SPKMBSMTPUMP013	Pump QF1200-5, shaft bearing cap unit	X	X	PM	Yes	Every 1000h or at least once a year
#116	SPKMBSMTPUMP014	Pump QF4400-3, shaft bearing cap unit		X	PM	Yes	Every 1000h or at least once a year
#117	SPKMBSMTSEN001	SMART, UV Lamp	X	X	PM	No	Every 12 months
#118	SPKMBSMTSEN002	SMART, Instrumentation Gaskets Kit	X	X	PM	No	After each batch or every 12 months if the gaskets are cleaned after each batch
#119	SPKMBSMTSEN003	Dual beam 280–300 nm UV sensor	X	X	Critical	No	As required
#120	SPKMBSMTSEN004	SMART Chrom., Ph Holder	X		Critical	No	As required
#121	SPKMBSMTSEN005	SMART, Conductivity Sensor	X	X	Critical	No	As required
#122	SPKMBSMTSEN006	SMART, Single Use Holder Post	X	X	Critical	No	As required
#123	SPKMBSMTSEN007	SMART Chrom., Ph Probe	X		Critical	No	As required
#124	SPKMBSMTSTRG001	SMART, Clamshell Lift Mold Guides Kit	X	X	Other	No	As required
#125	SPKMBSMTSTRG002	SMART, Storage Rack, Set of 2 Wheel Plates	X	X	Other	No	As required
#126	SPKMBSMTTANK001	SMART TFF, Tank Cart, Left Weigh Module Lock Cam		X	Other	Yes	As required
#127	SPKMBSMTTANK002	SMART TFF, Tank Cart, Right Weigh Module Lock Cam		X	Other	Yes	As required
#128	SPKMBSMTTANK003	SMART TFF, Tank Cart, Front Weigh Module Lock Cam		X	Other	Yes	As required
#129	SPKMBSMTTANK004	SMART TFF, Tank Cart, Pump Cart Hook Kit		X	Other	No	As required
#130	SPKMBSMTTANK005	SMART TFF, Tank Cart, Set of 4 Leveling Feet		X	Other	No	As required
#131	SPKMBSMTTANK006	SMART TFF, Tank Cart, Weigh Module Lever A		X	Other	Yes	As required
#132	SPKMBSMTTANK007	SMART TFF, Tank Cart, Weigh Module Lever B		X	Other	Yes	As required
#133	SPKMBSMTTANK008	SMART TFF, Tank Cart, 50 L, Mixer Support Kit		X	Other	Yes	As required
#134	SPKMBSMTTANK009	SMART TFF, Tank Cart, Cam Roller Kit		X	Other	Yes	As required
#135	SPKMBSMTTANK010	SMART TFF, Tank Cart, Piping Clips Kit		X	Other	No	As required
#136	SPKMBSMTTANK011	SMART TFF, Tank Cart, 100 L_200 L, Pe, Mixer Support Kit		X	Other	Yes	As required
#137	SPKMBSMTTANK012	SMART TFF, Tank Cart, 50 L, Power Supply, 100–230 Vac/24 Vdc, 5 A		X	Critical	No	As required
#138	SPKMBSMTTANK013	SMART TFF, Tank Cart, 50 L, Mixer Controller		X	Critical	Yes	As required
#139	SPKMBSMTTANK014	SMART TFF, Tank Cart, 50 L, Mixer		X	Critical	Yes	As required
#140	SPKMBSMTTANK015	SMART TFF, Tank Cart, Mixer User Interface		X	Critical	Yes	As required
#141	SPKMBSMTTANK017	SMART TFF, Tank Cart, Temperature Display		X	Critical	No	As required
#142	SPKMBSMTTANK018	SMART TFF, Tank Cart, Temperature Sensor And Transmitter		X	Critical	Yes	As required

Number	Catalogue Number	Description	Chrom	TFF	Preventive Maintenance (PM), Critical, Others	Field Service Required	Frequency
#143	SPKMBSMTTANK019	SMART TFF, Tank Cart, Load Cell, 50 L/100 L		X	Critical	Yes	As required
#144	SPKMBSMTTANK020	SMART TFF, Tank Cart, Load Cell Junction Box		X	Critical	Yes	As required
#145	SPKMBSMTTANK021	SMART TFF, Tank Cart, Weighing Terminal And Display		X	Critical	Yes	As required
#146	SPKMBSMTTANK022	SMART TFF, Tank Cart, 100 L_200 L, Power Supply, 110-230 Vac/48 Vdc, 12.5 A		X	Critical	No	As required
#147	SPKMBSMTTANK023	SMART TFF, Tank Cart, 100 L_200 L, Mixer		X	Critical	Yes	As required
#148	SPKMBSMTTANK024	SMART TFF, Tank Cart, 100 L_200 L, Mixer Controller		X	Critical	Yes	As required
#149	SPKMBSMTTANK025	SMART TFF, Tank Cart, 50 L, Tank Rotation Kit		X	Other	Yes	As required
#150	SPKMBSMTTANK026	SMART TFF, Tank Cart, 100 L, Jacketed Sst, Mixer Support Kit		X	Other	Yes	As required
#151	SPKMBSMTTANK027	SMART TFF, Tank Cart, 200 L, Jacketed Sst, Mixer Support Kit		X	Other	Yes	As required
#152	SPKMBSMTTANK028	SMART TFF, Tank Cart, Weighing Terminal And Display, ETH/IP		X	Critical	Yes	As required
#153	SPKMBSMTTANK029	SMART TFF, Tank Cart, Load Cell, 200 L		X	Critical	Yes	As required
#154	SPKMBSMTTMTR001	SMART, Converter C8480 Kit	X	X	Critical	Yes	As required
155	SPKMBSMTTMTR002	SMART, Instrumentation Cables Kit	X	X	Critical	Yes	As required
#156	SPKMBSMTTMTTF001	SMART TFF-2.5M2, Transmitter Kit, Connector Clips Kit		X	Other	No	As required
#157	SPKMBSMTTMTXM001	SMART Chrom., Transmitter Kit, Connector Clips Kit	X		Other	No	As required
#158	XXTIERODEXT	EXTENDED TIE RODS 380MM, SET OF 4		X	Other	No	As required

# Means that the part is illustrated.

The illustrations are examples. Actual configuration may vary according to selected options and custom features.

\* **Preventive Maintenance (PM)** parts are subject to wear and tear. Under average usage conditions, they should be replaced at least once per year. A risk assessment based on the specific system usage and production conditions may indicate replacement of some or all of these parts more frequently.

\*\* **Critical parts** have been identified as most critical to avoiding system downtime and are recommended to be kept in stock for immediate availability.

For bot PM and critical parts stock recommendation is 1 part per unit.

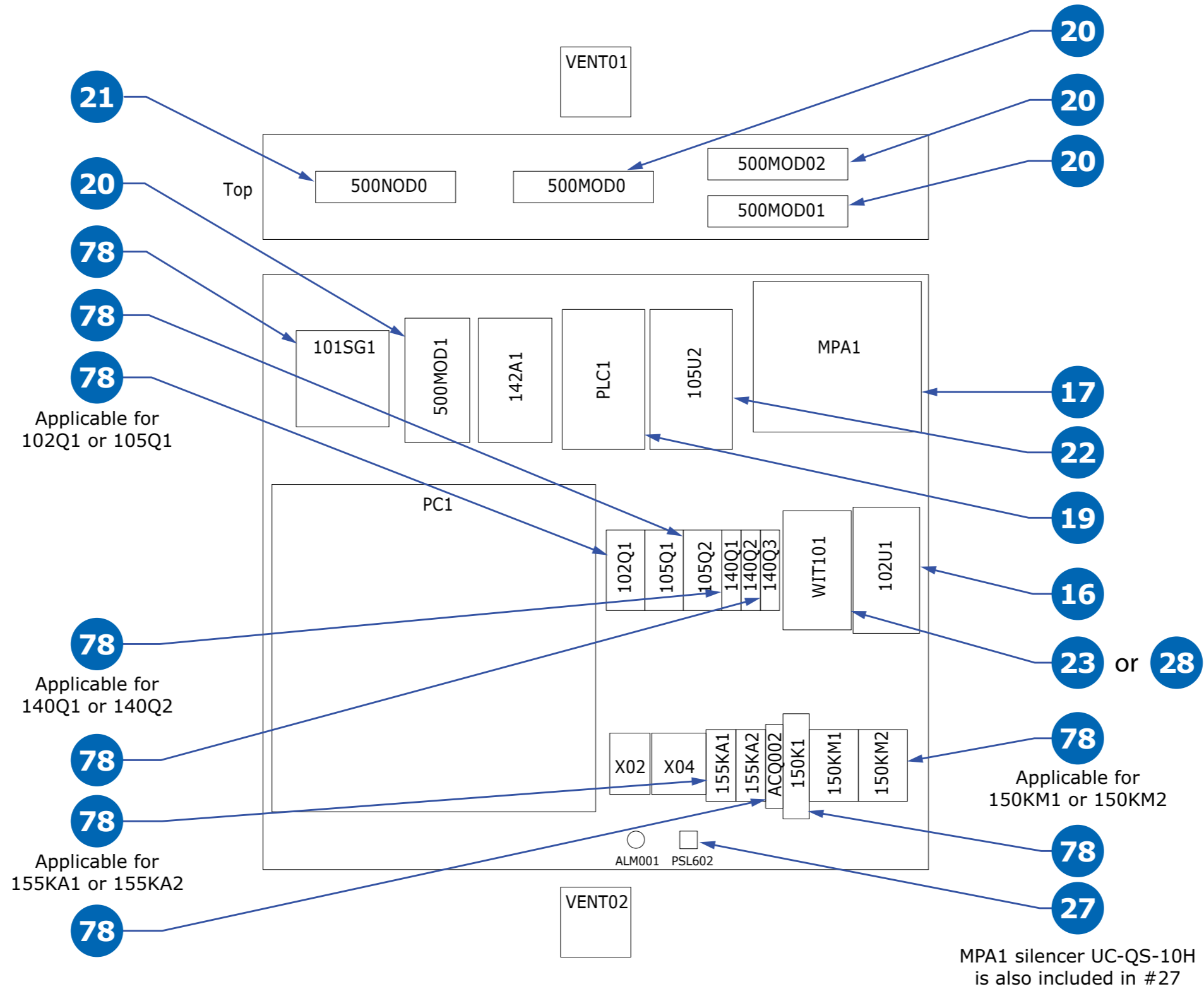
For custom or additional spare parts, please contact your local sales representative.





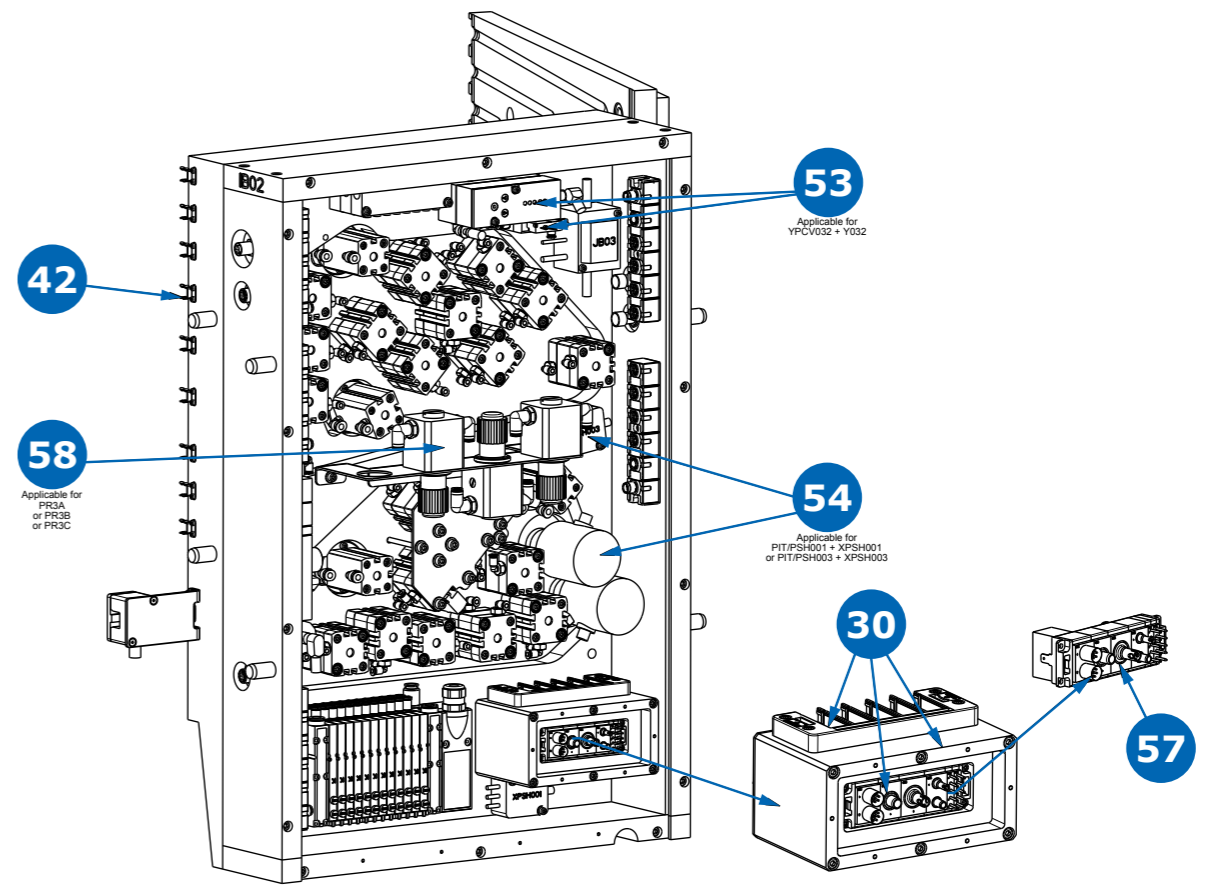
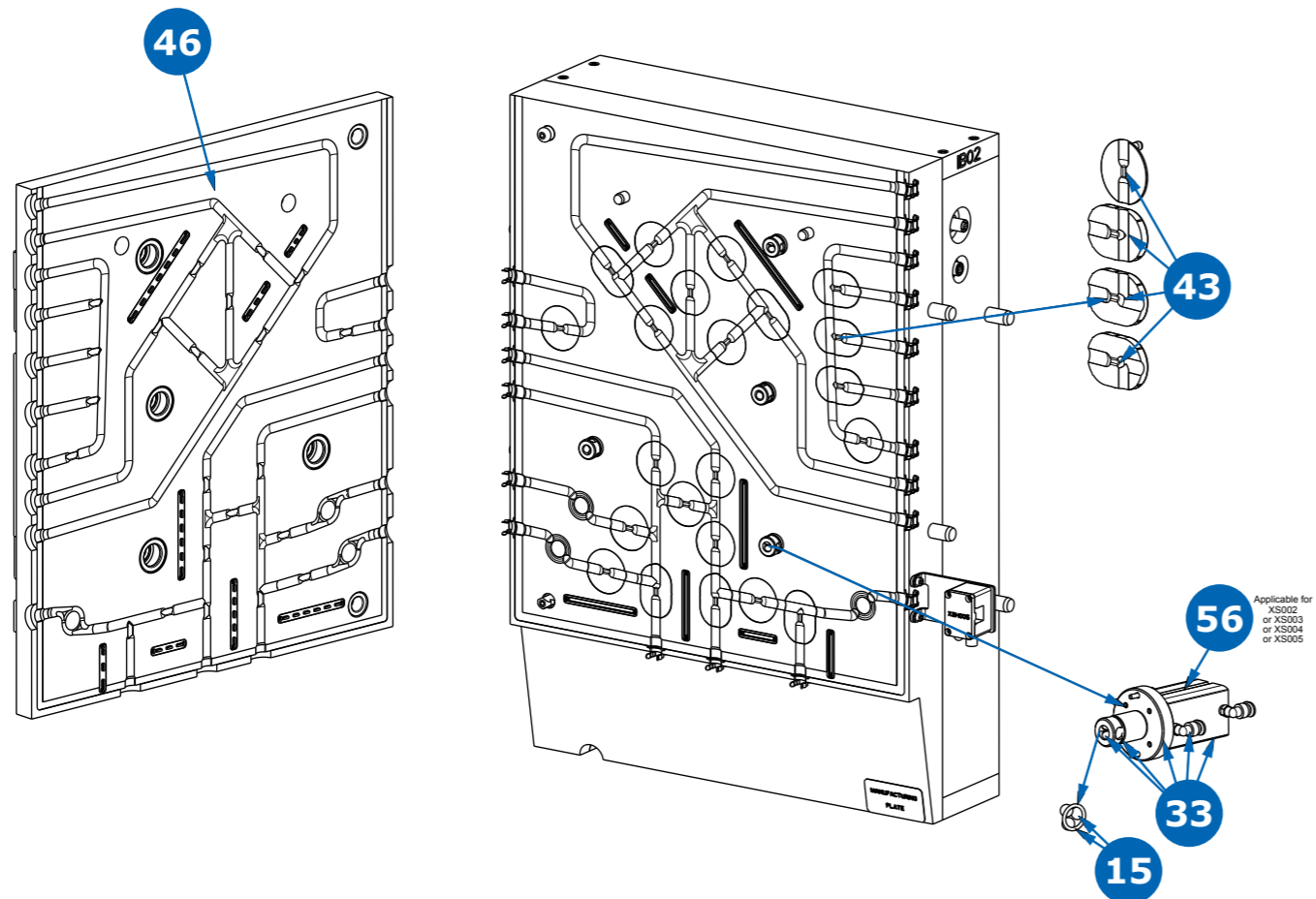
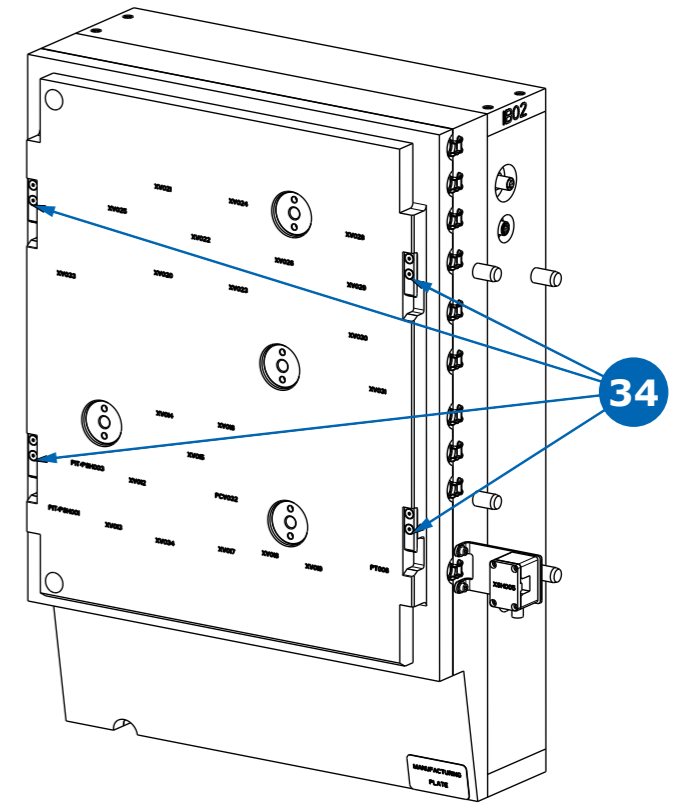
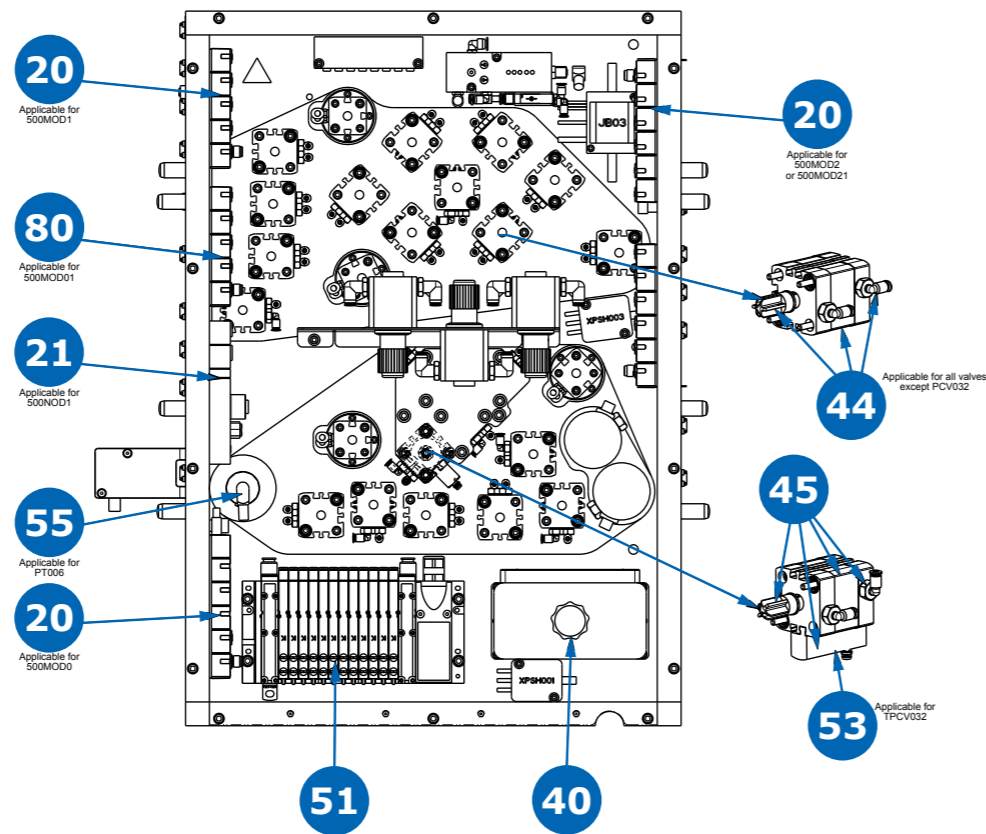
# 1. Smart Base

## Smart Base—Electrical Box



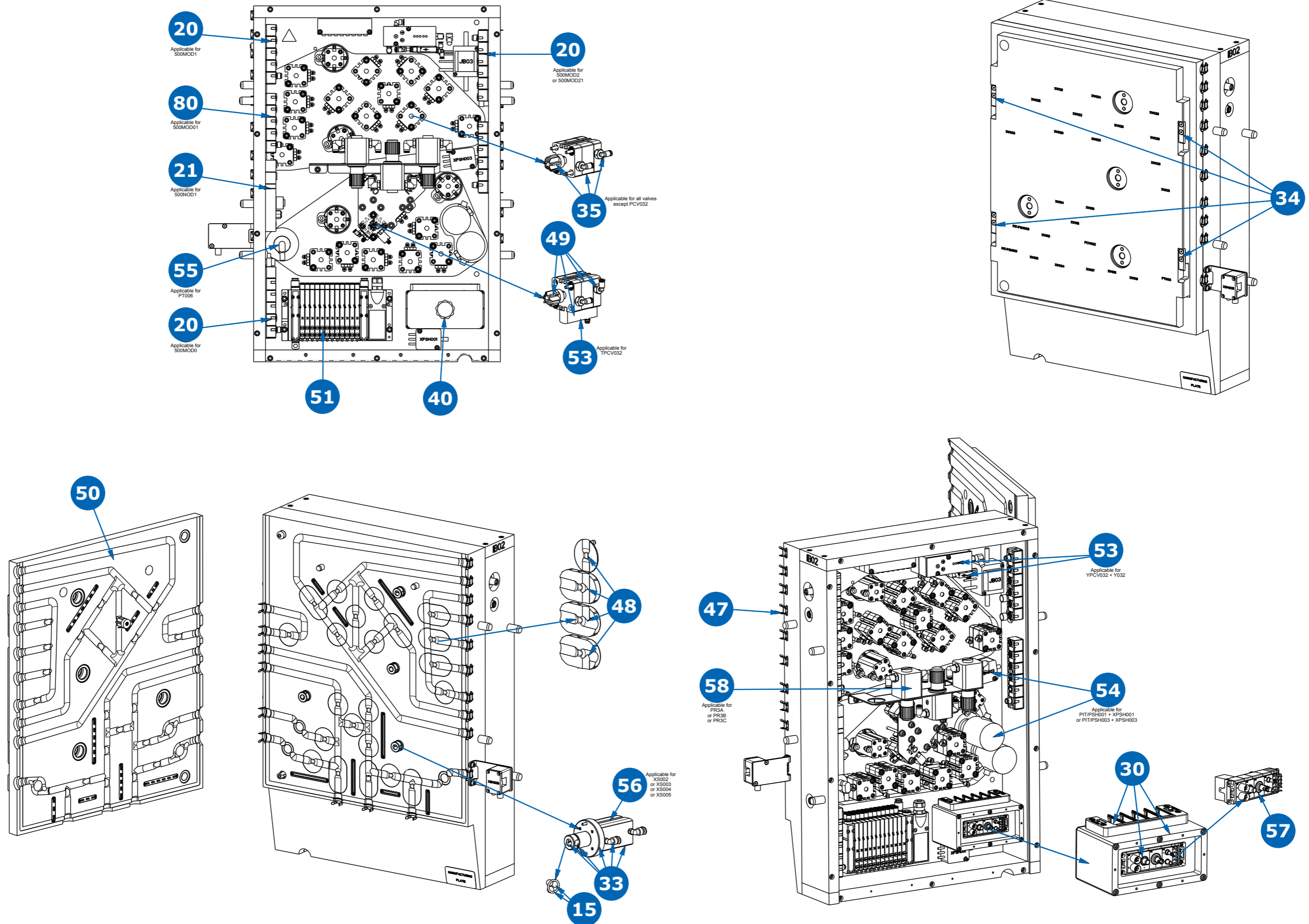
# 2. Clamshell

## XMO1/2 Clamshell



# 2. Clamshell

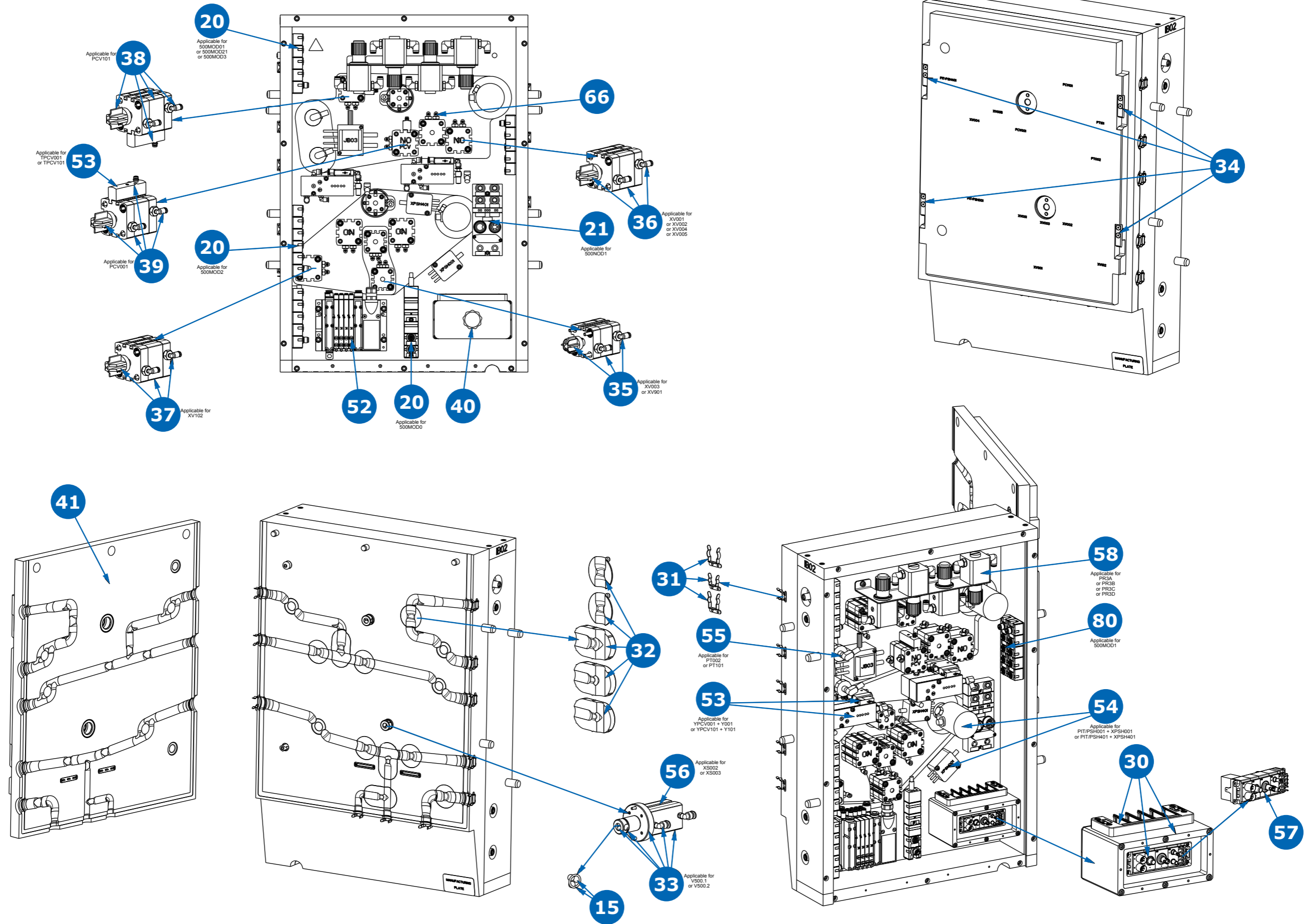
## XMO3 Clamshell





# 2. Clamshell

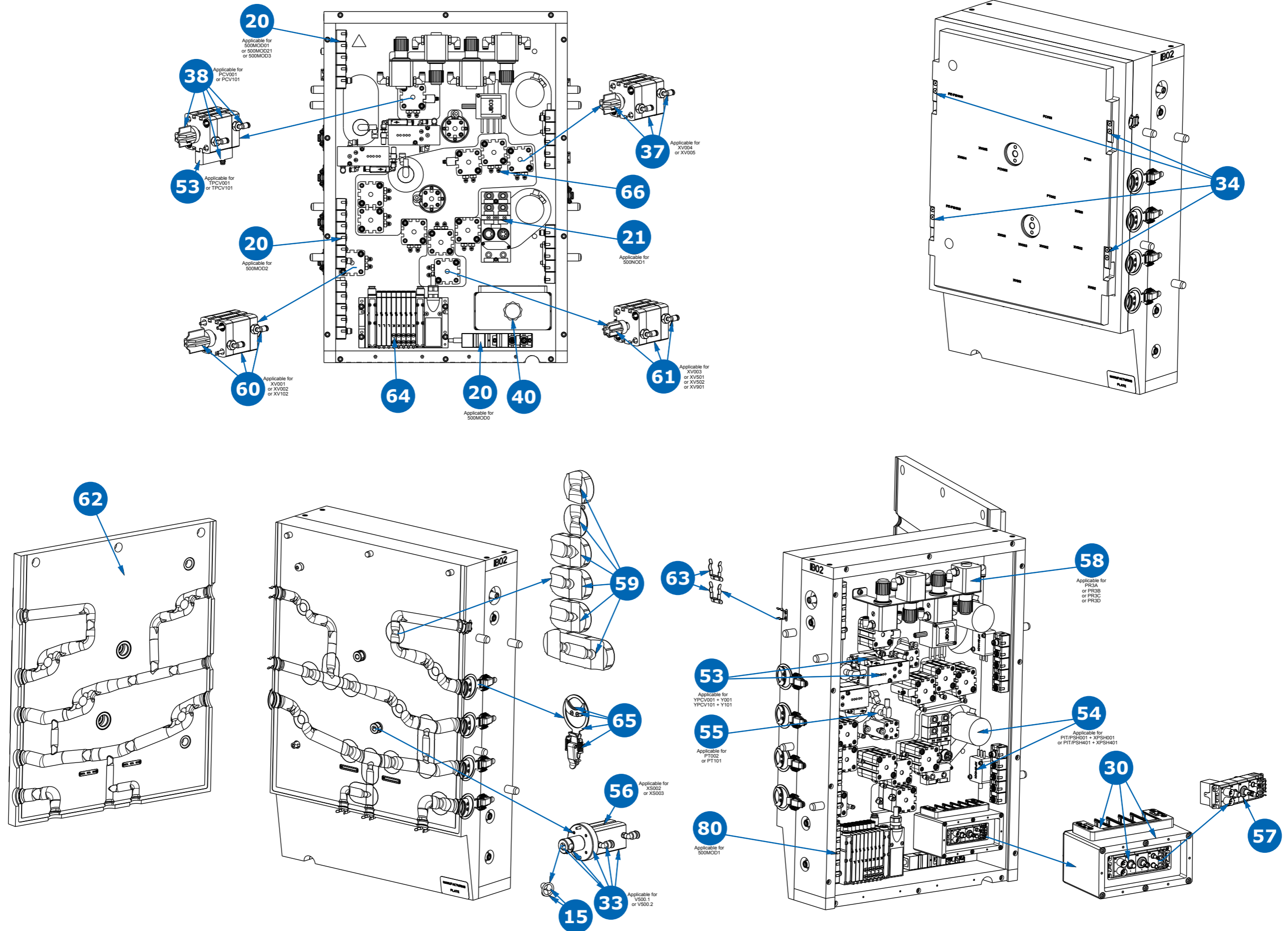
## TF2S Clamshell





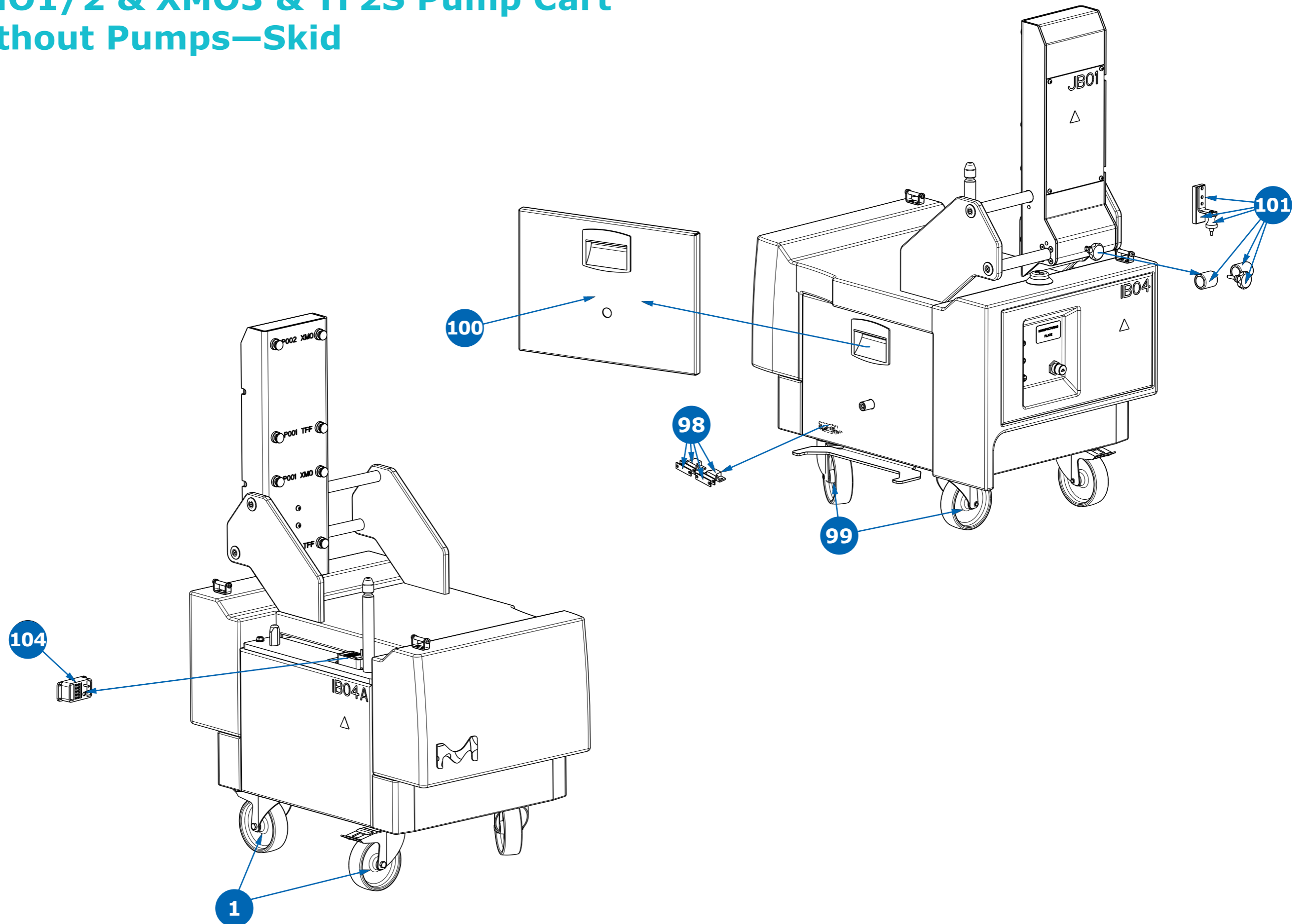
# 2. Clamshell

## TF3S Clamshell



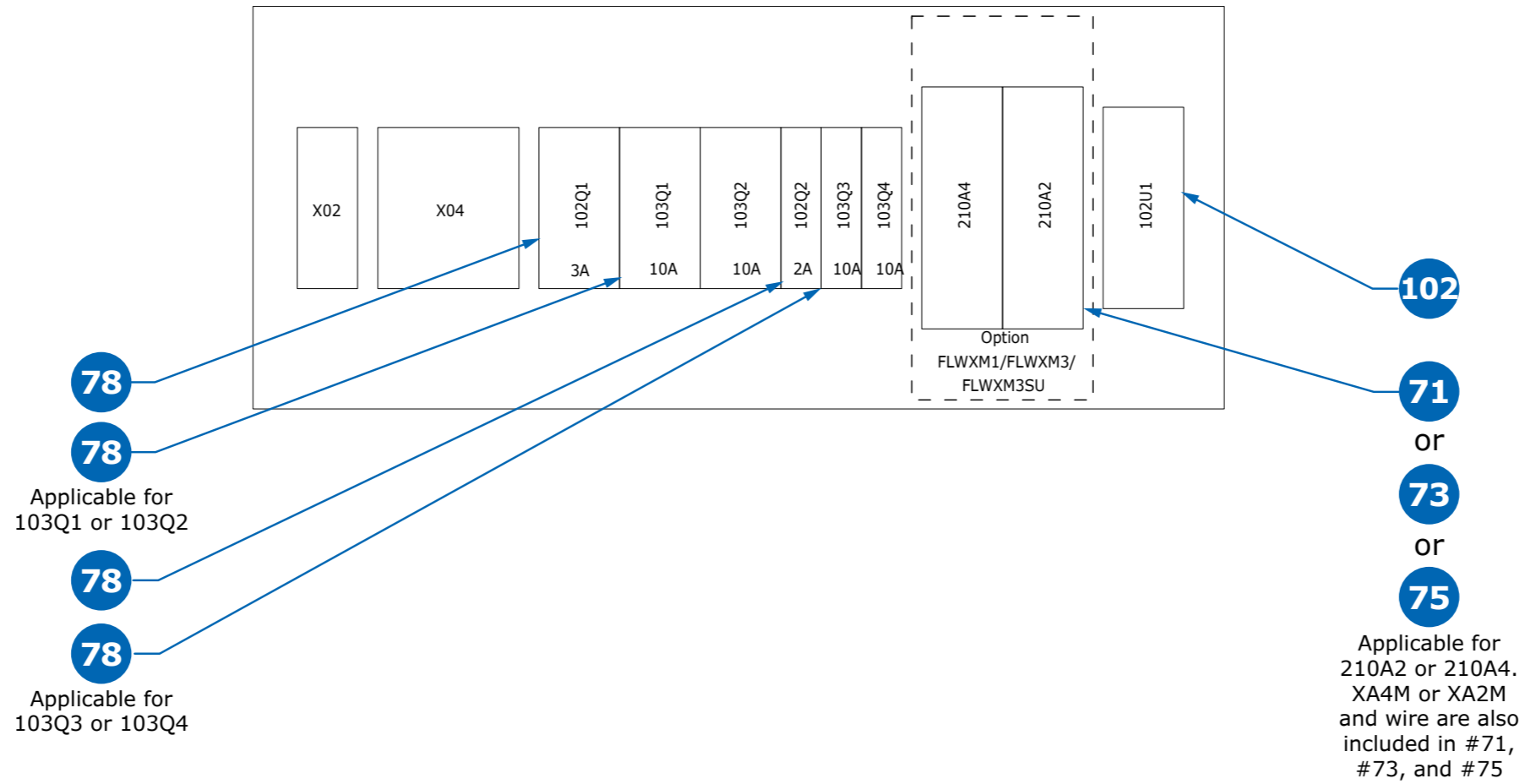
# 3. Pump Cart & Pump

## XMO1/2 & XMO3 & TF2S Pump Cart without Pumps—Skid



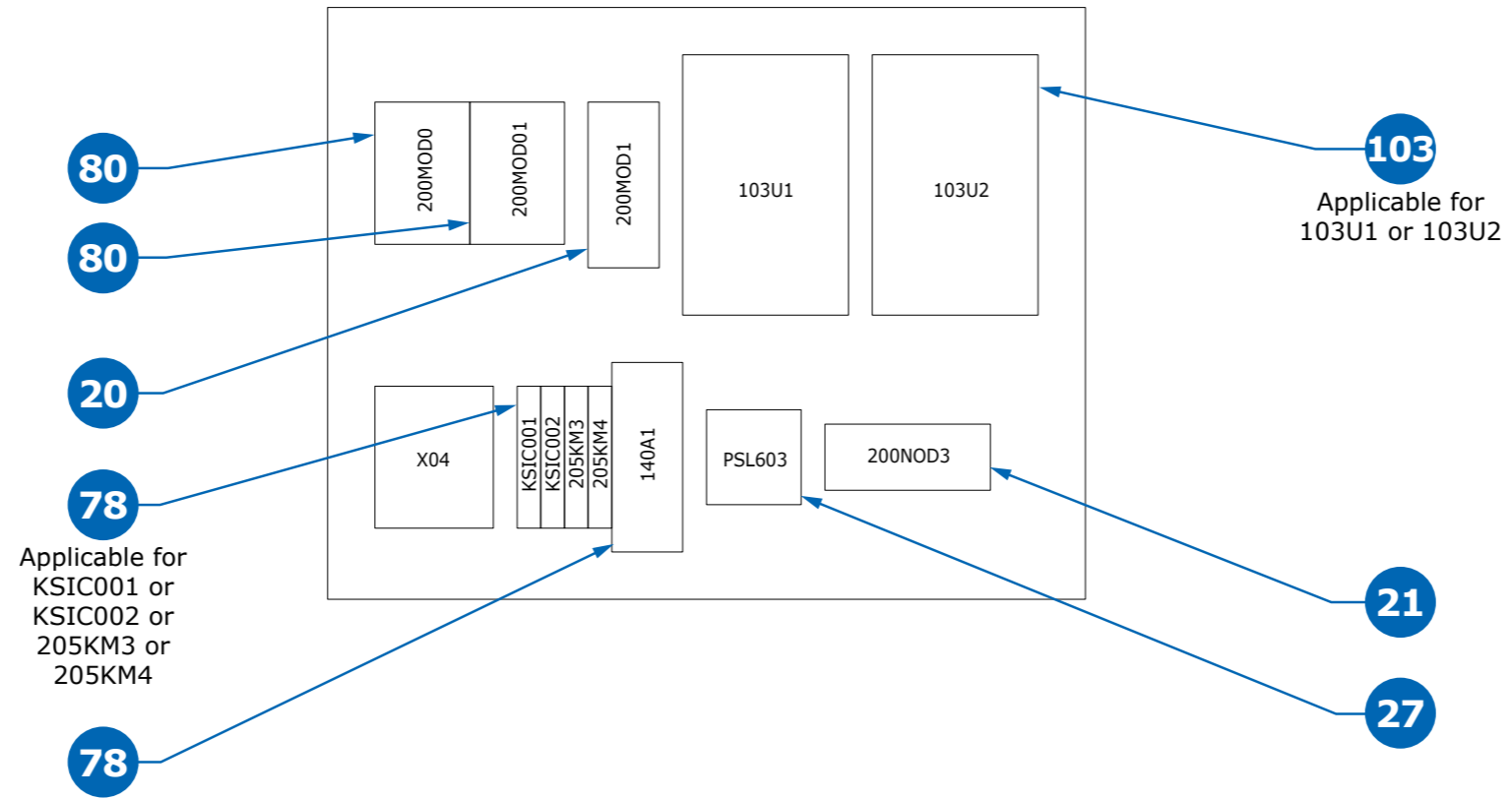
# 3. Pump Cart & Pump

## XMO1/2 & XMO3 & TF2S Pump Cart without Pumps—Electrical Box IB04



# 3. Pump Cart & Pump

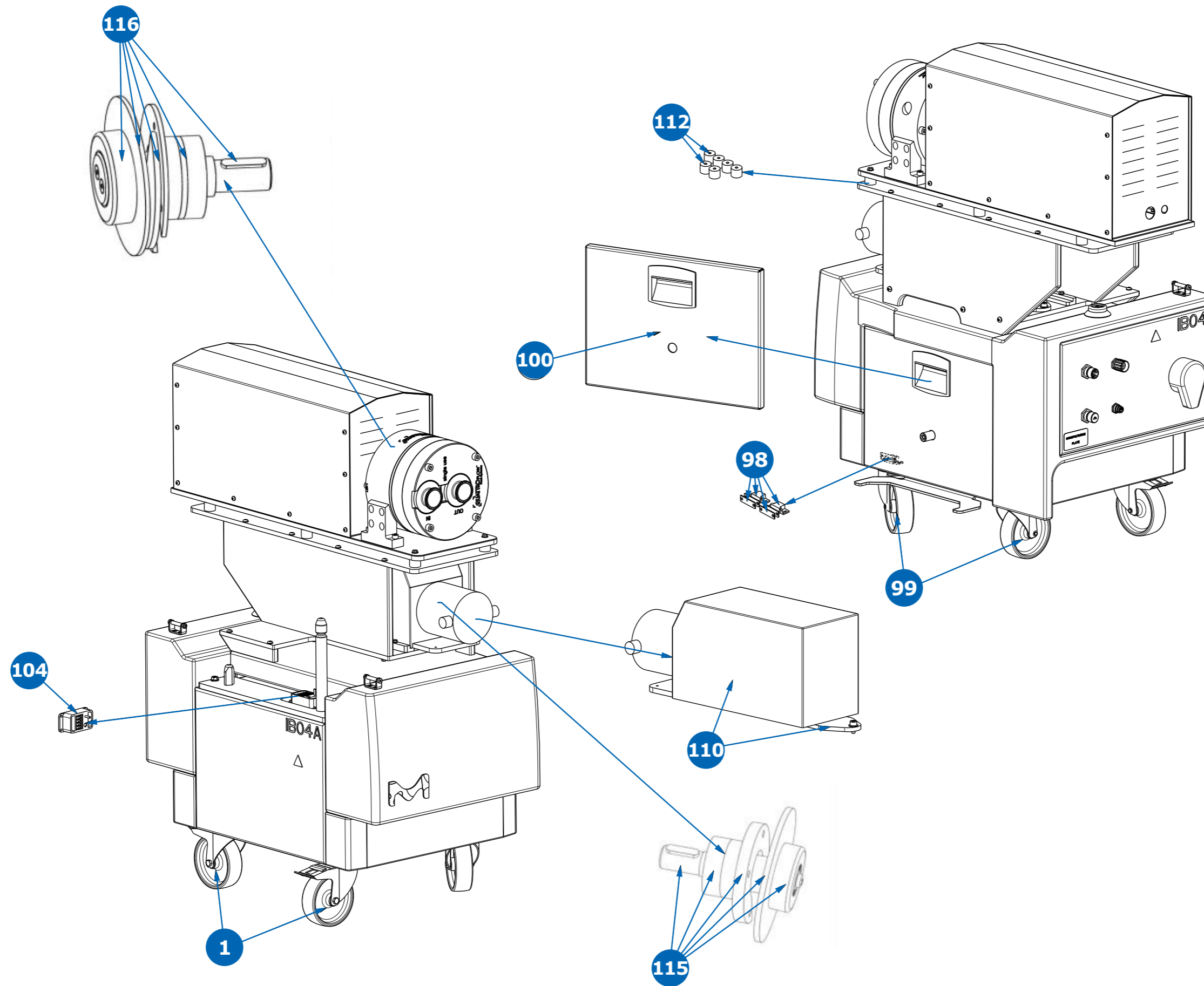
## XMO1/2 & XMO3 & TF2S Pump Cart without Pumps—Electrical Box IB04A





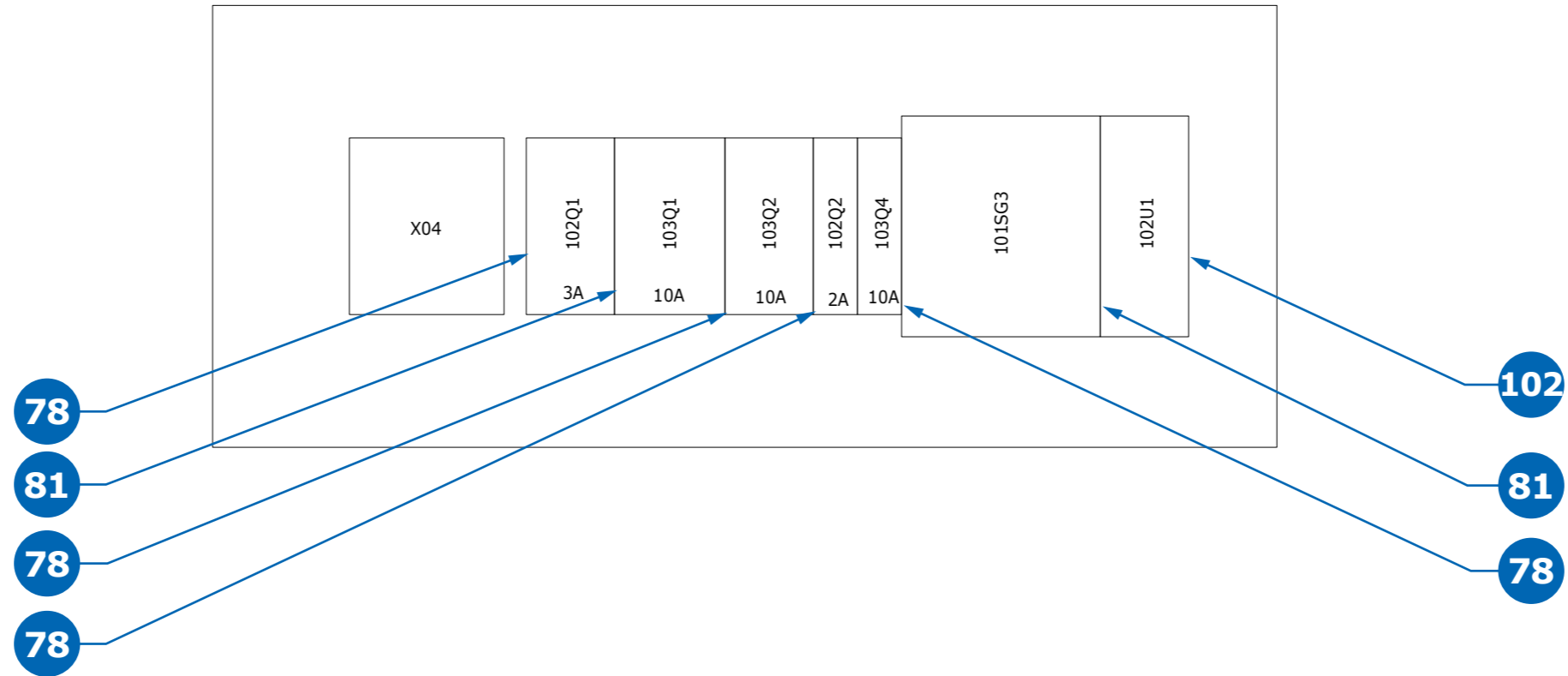
# 3. Pump Cart & Pump

## TF3S Pump Cart with Pumps—Skid



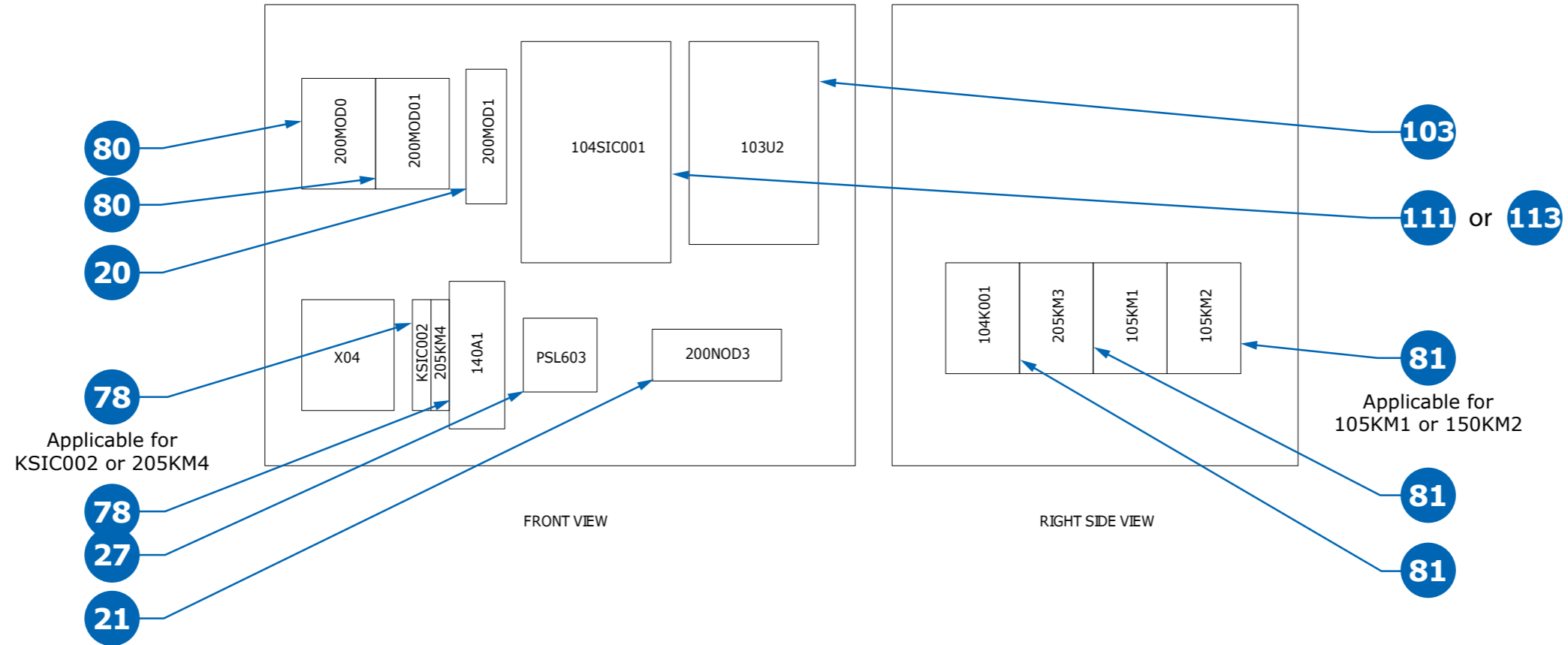
# 3. Pump Cart & Pump

## TF3S Pump Cart with Pumps —Electrical Box IB04



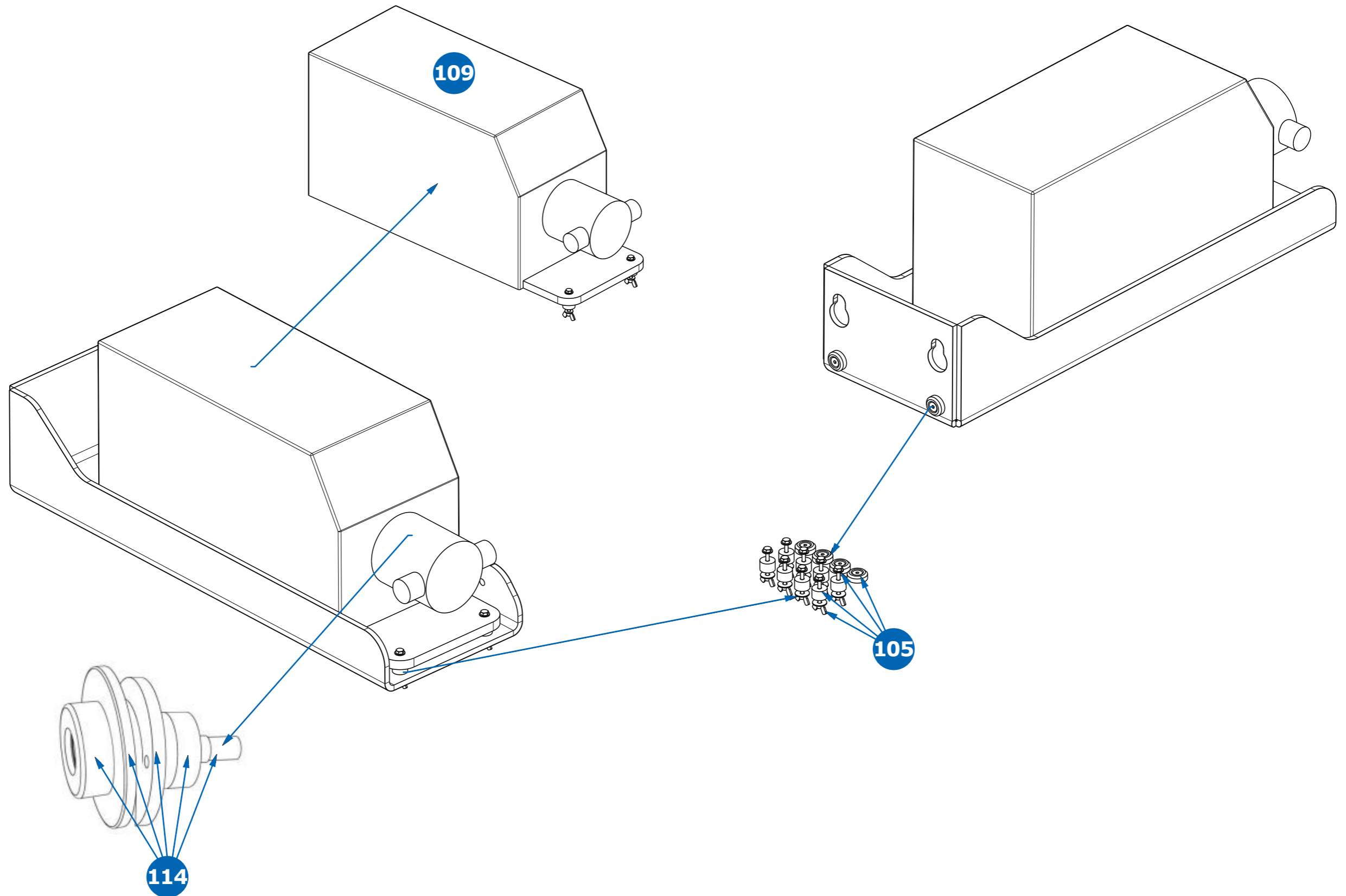
# 3. Pump Cart & Pump

## TF3S Pump Cart with Pumps —Electrical Box IB04A



# 3. Pump Cart & Pump

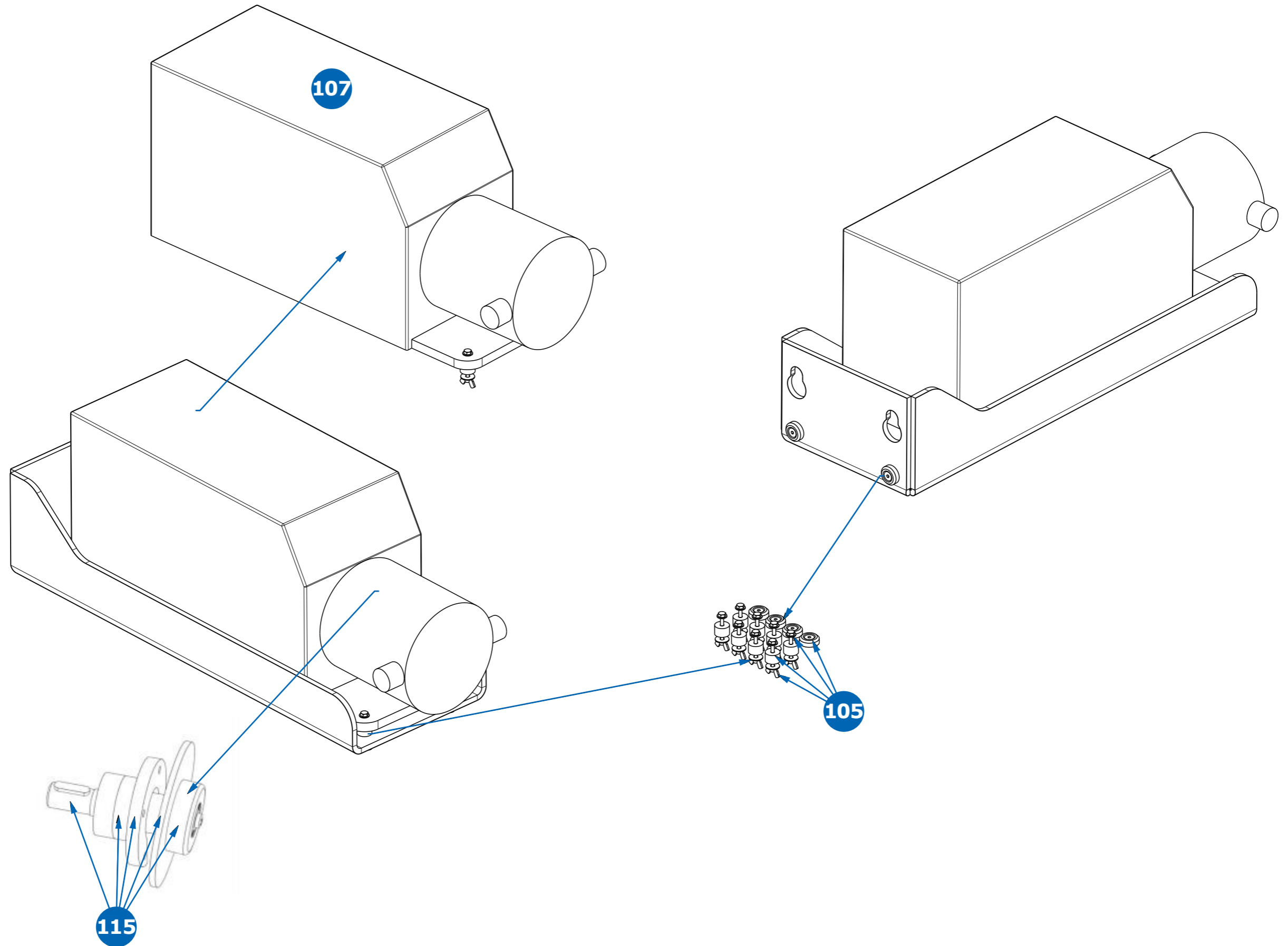
## XMO1/2 Pump (150SU)





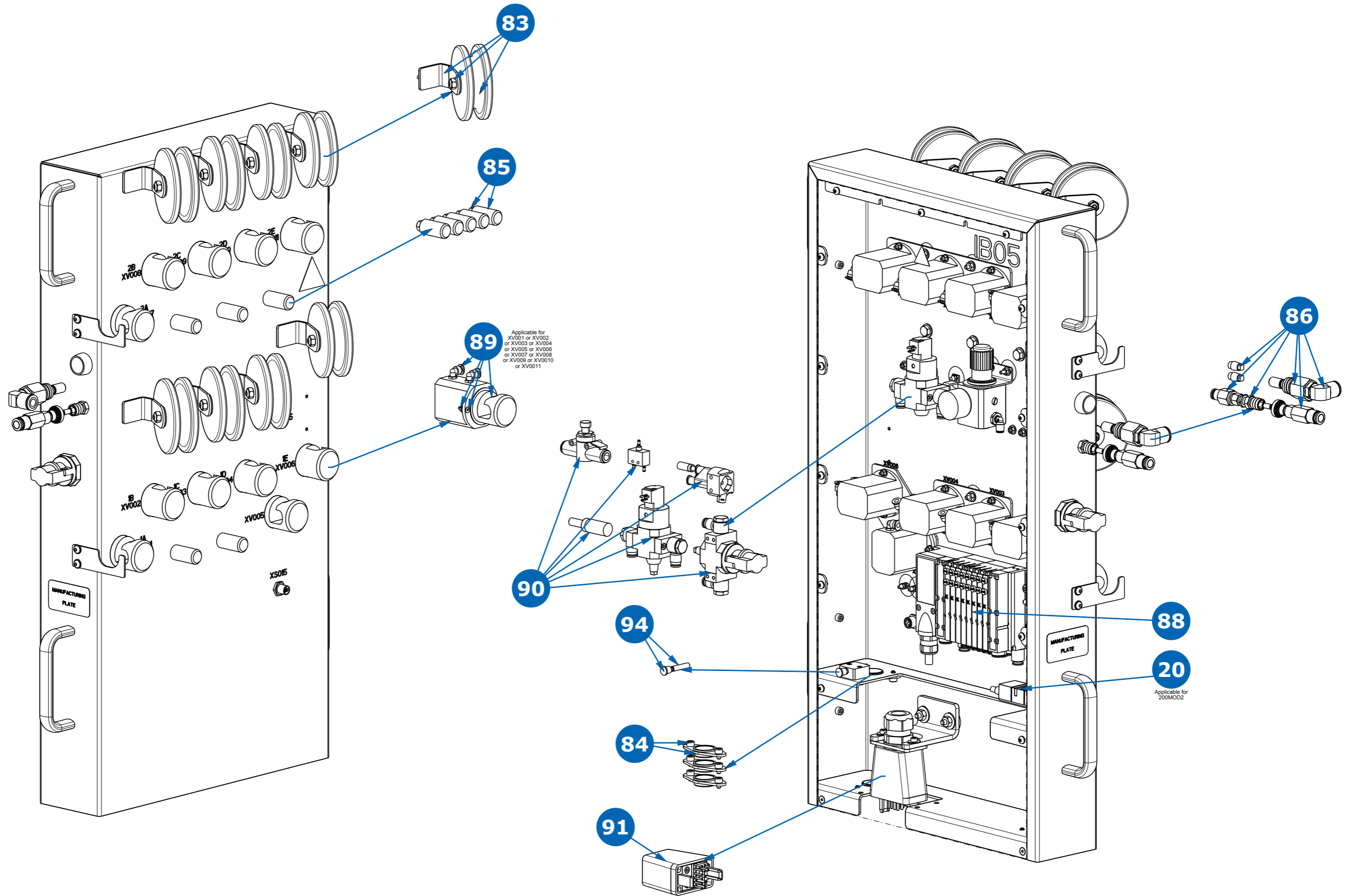
# 3. Pump Cart & Pump

## XMO3 & TF2S Pump (1200SU)



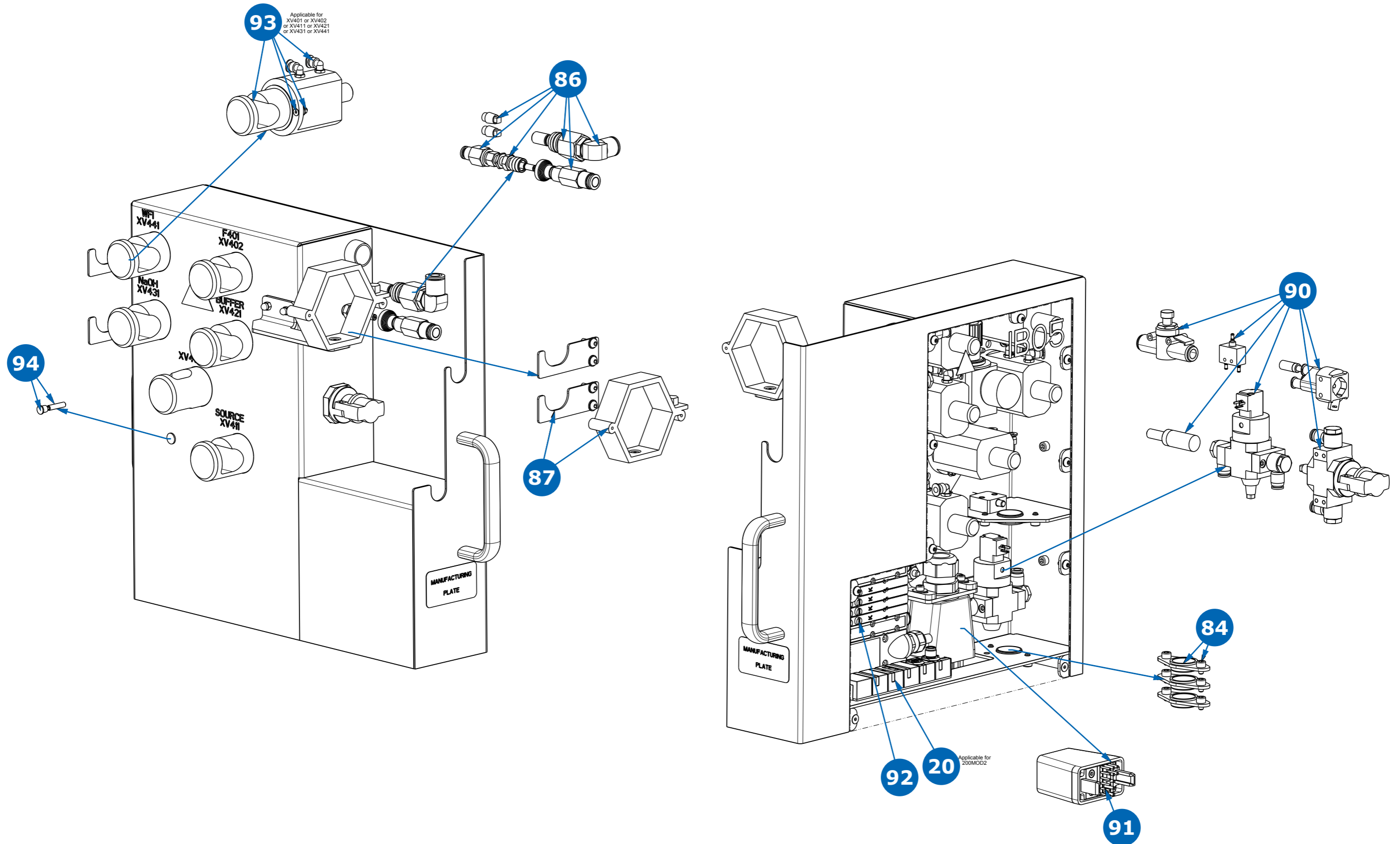
# 4. Manifold

## XMO1/2 & XMO3 Manifold



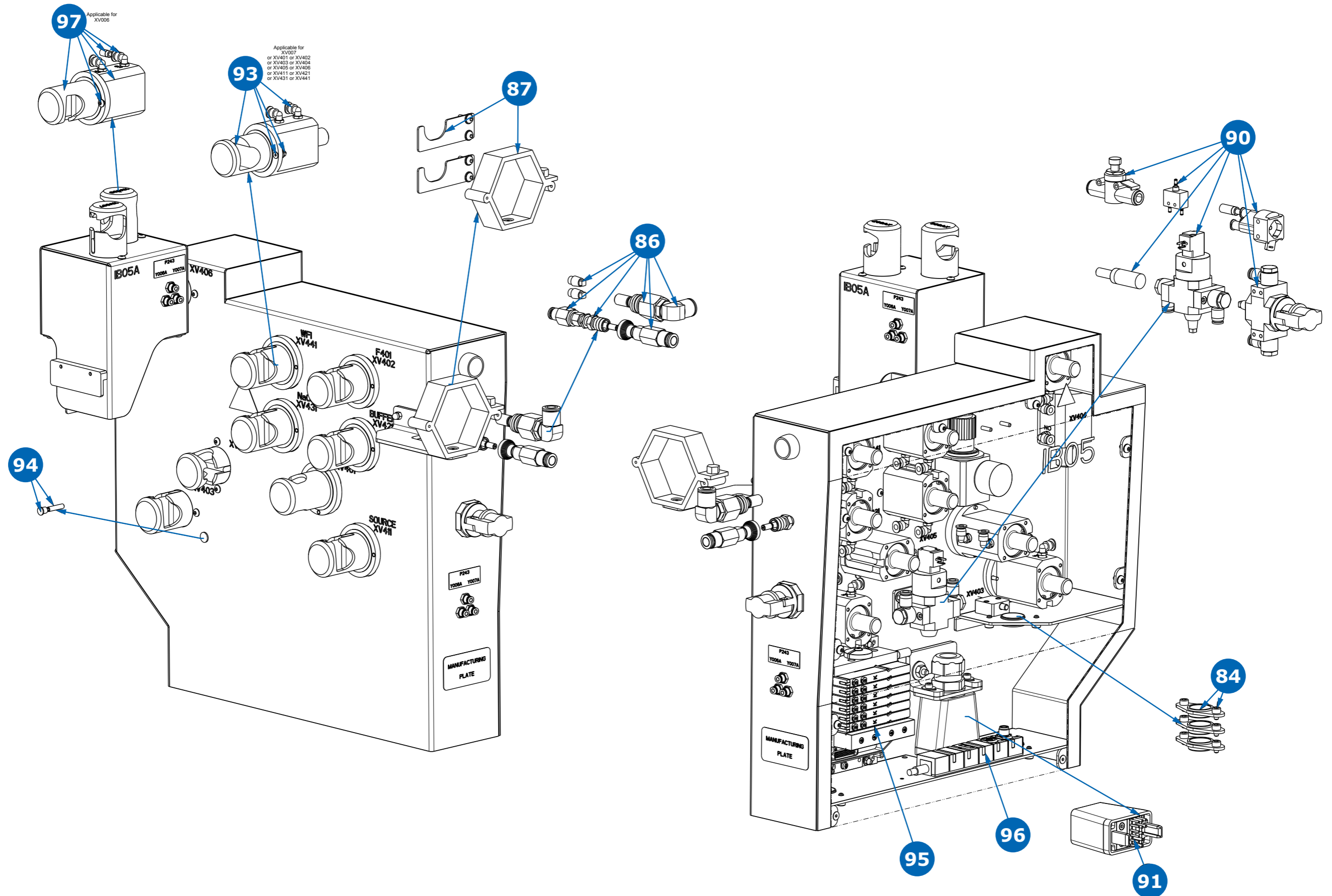
# 4. Manifold

## TF2S & TF3S Manifold



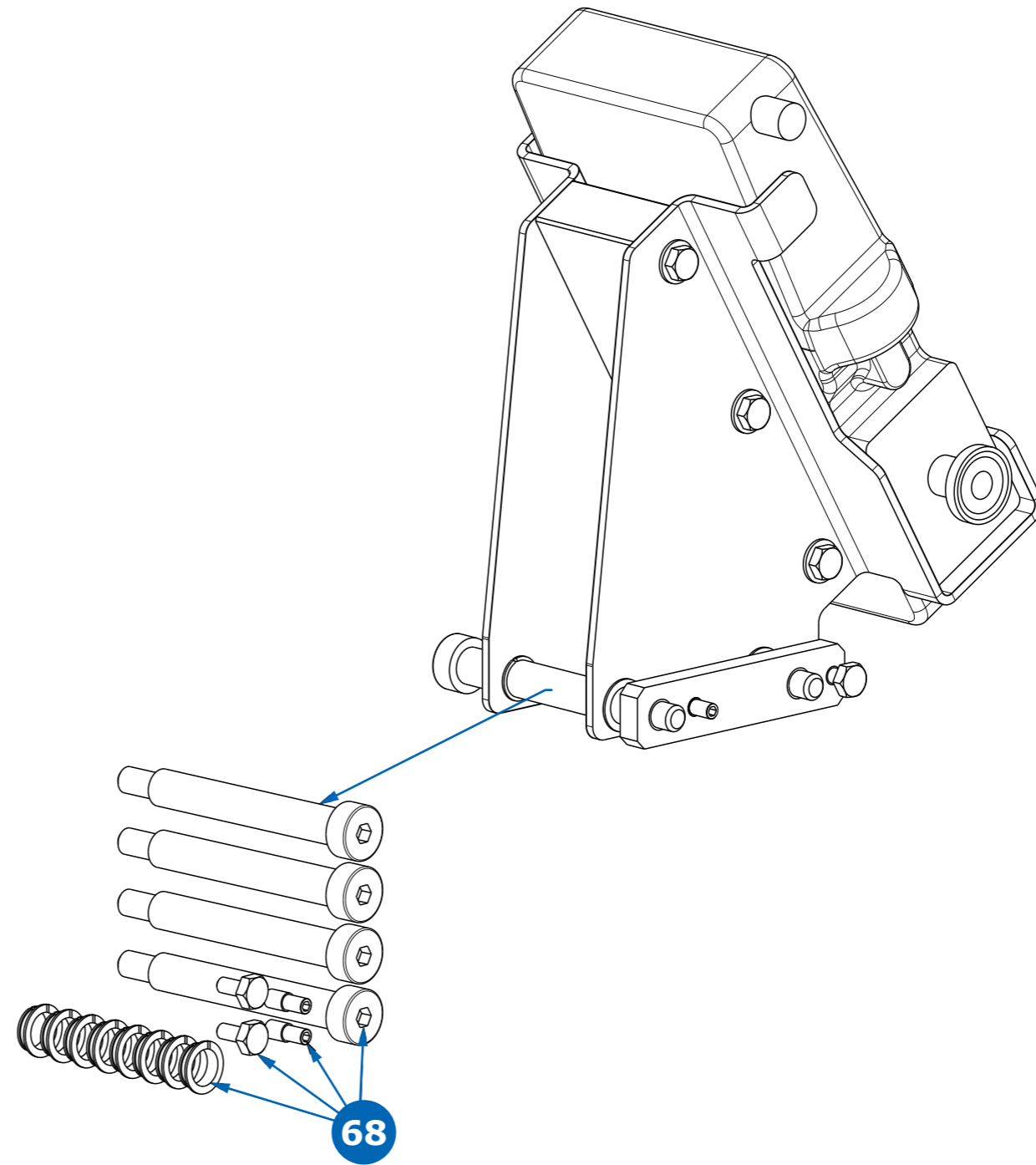
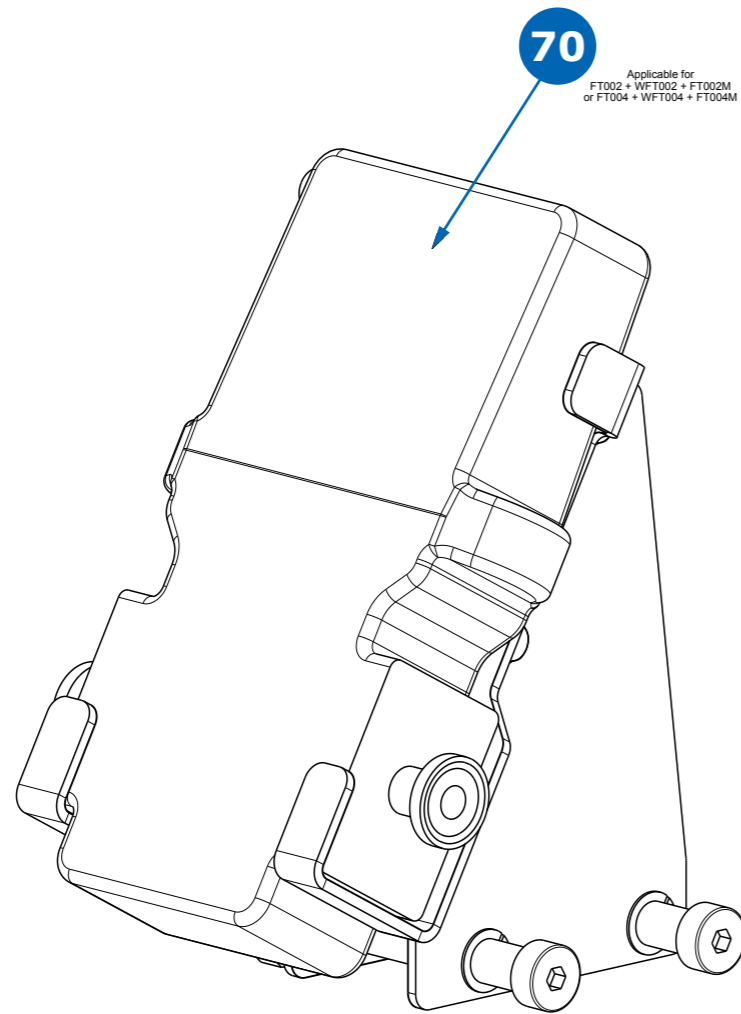
# 4. Manifold

## TF2S Manifold for Closed Processing



# 5. Flowmeter

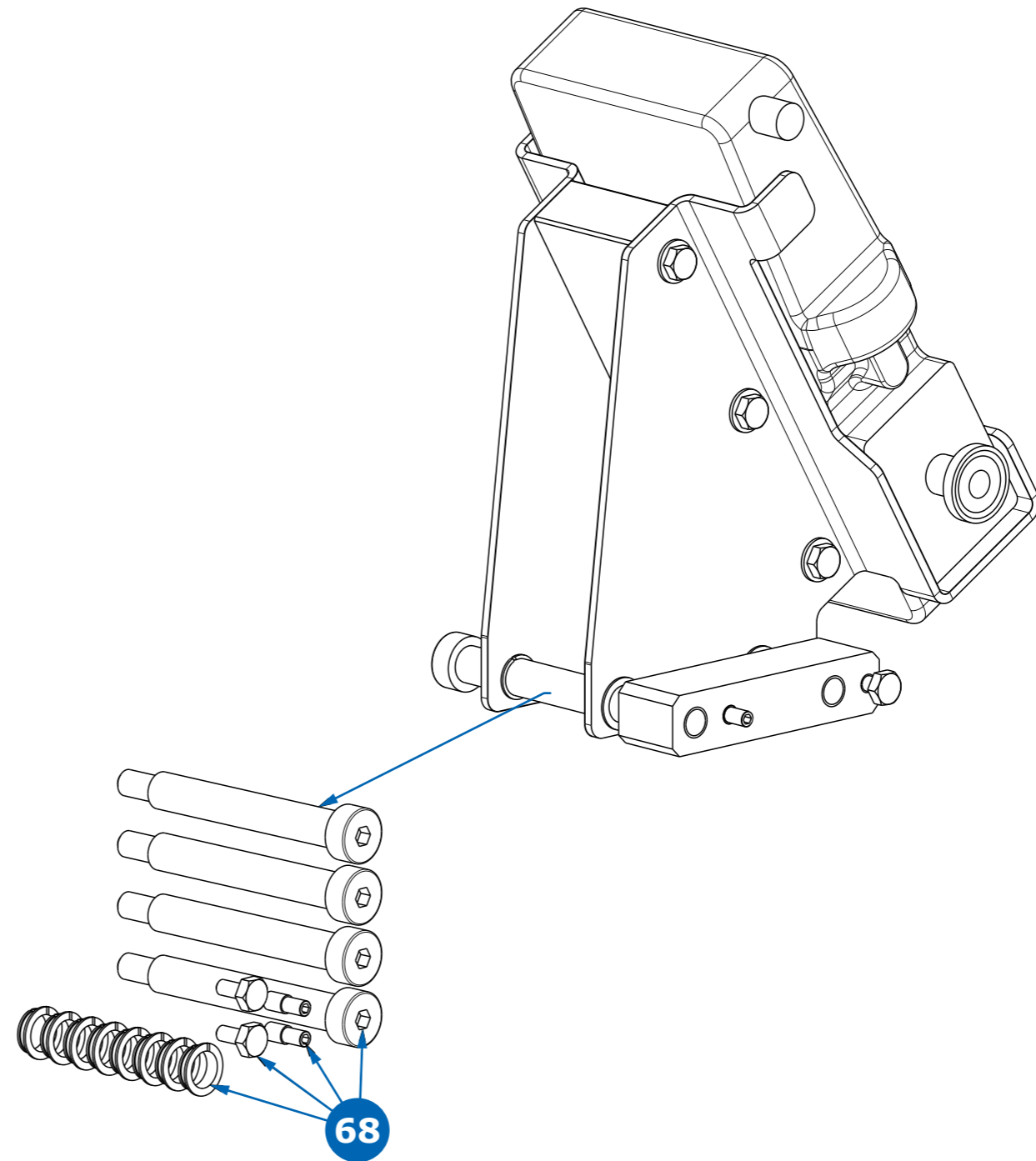
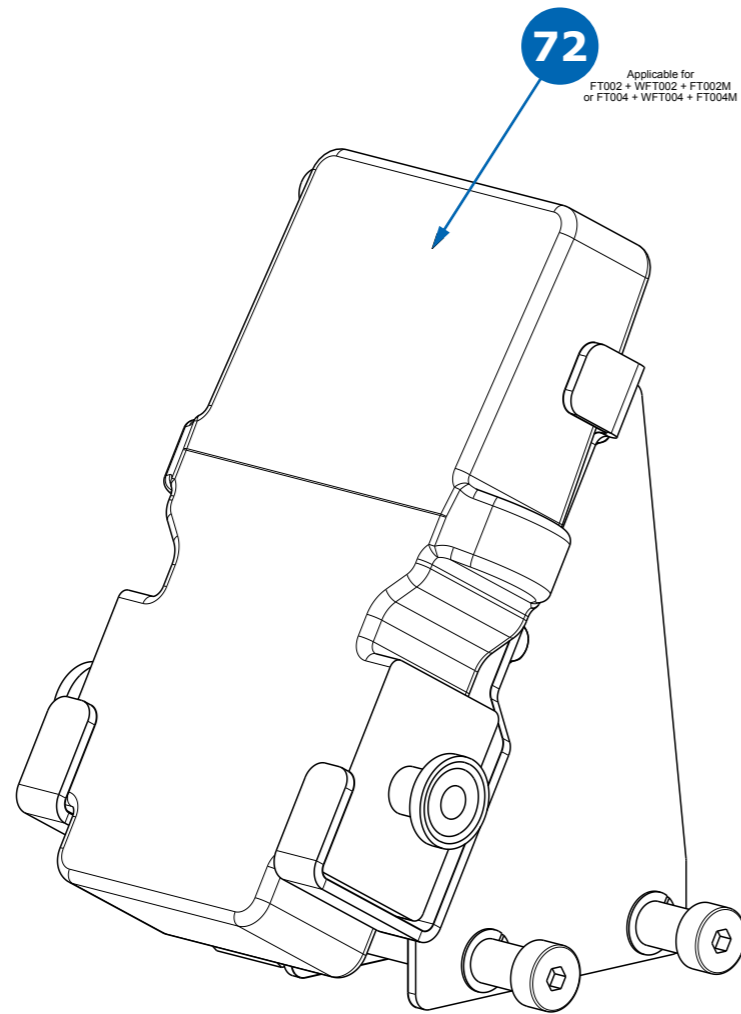
## XMO1/2 Multi-Use Flowmeter





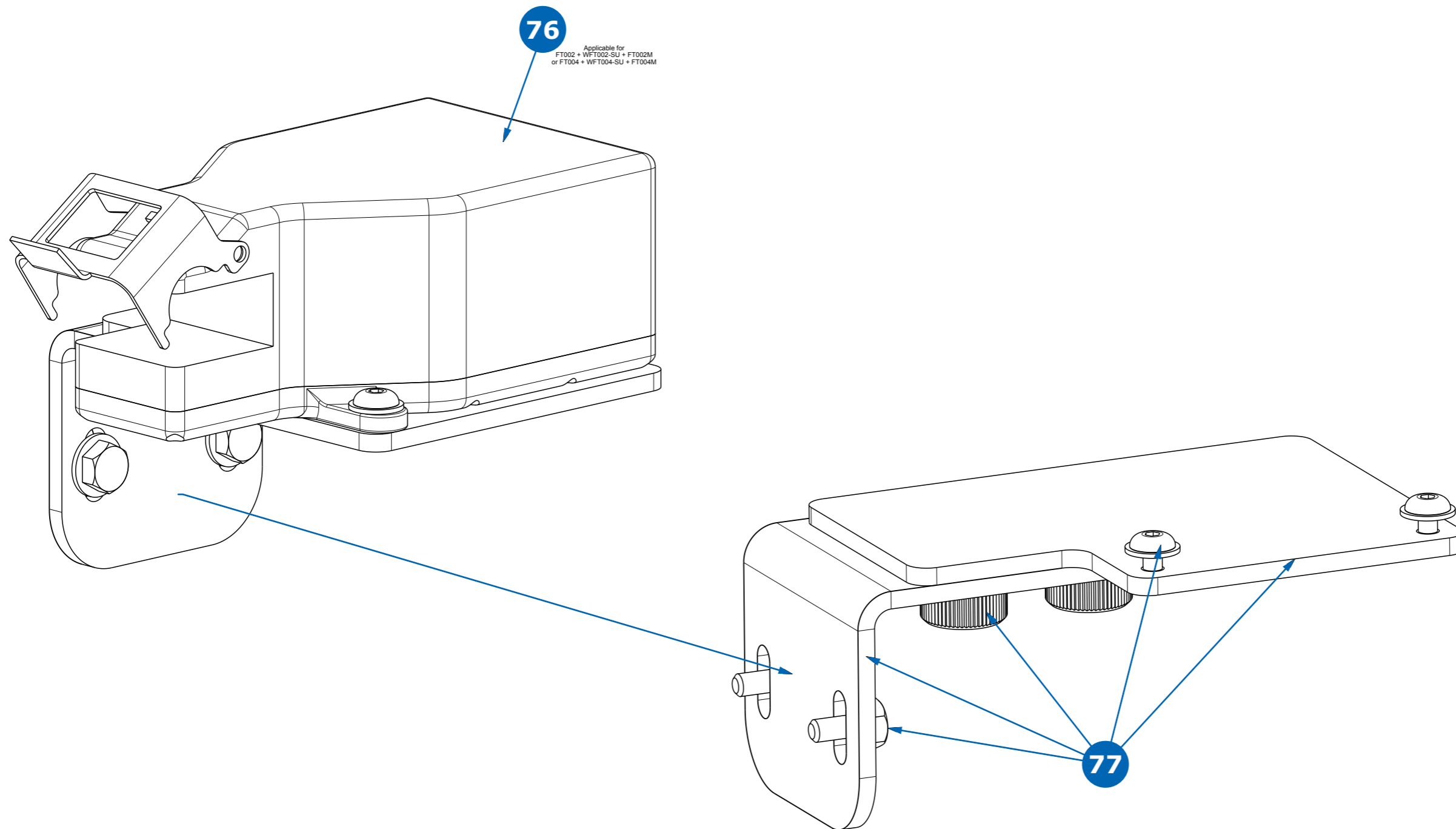
# 5. Flowmeter

## XMO3 Multi-Use Flowmeter



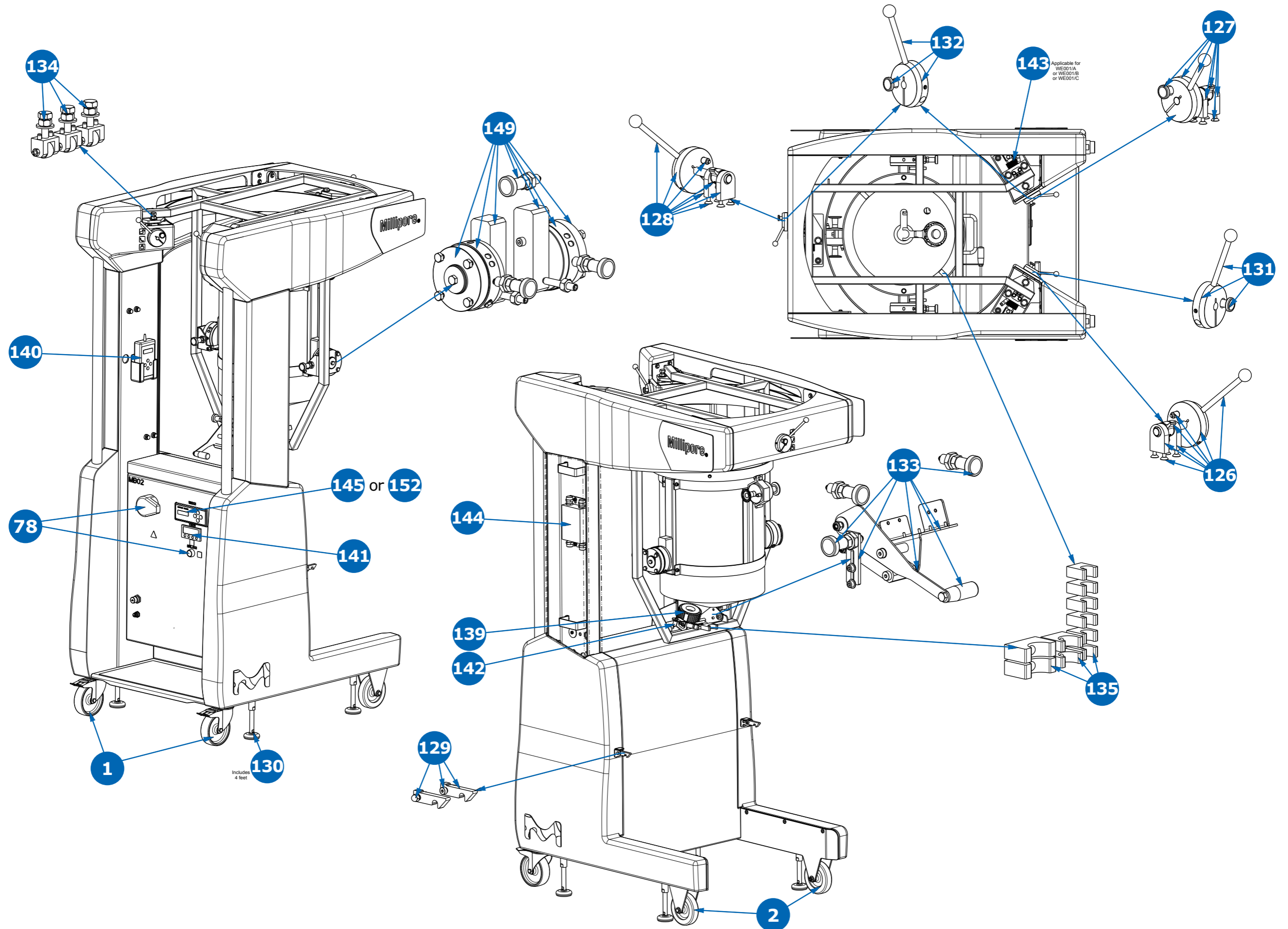
# 5. Flowmeter

## XMO3 Single-Use Flowmeter



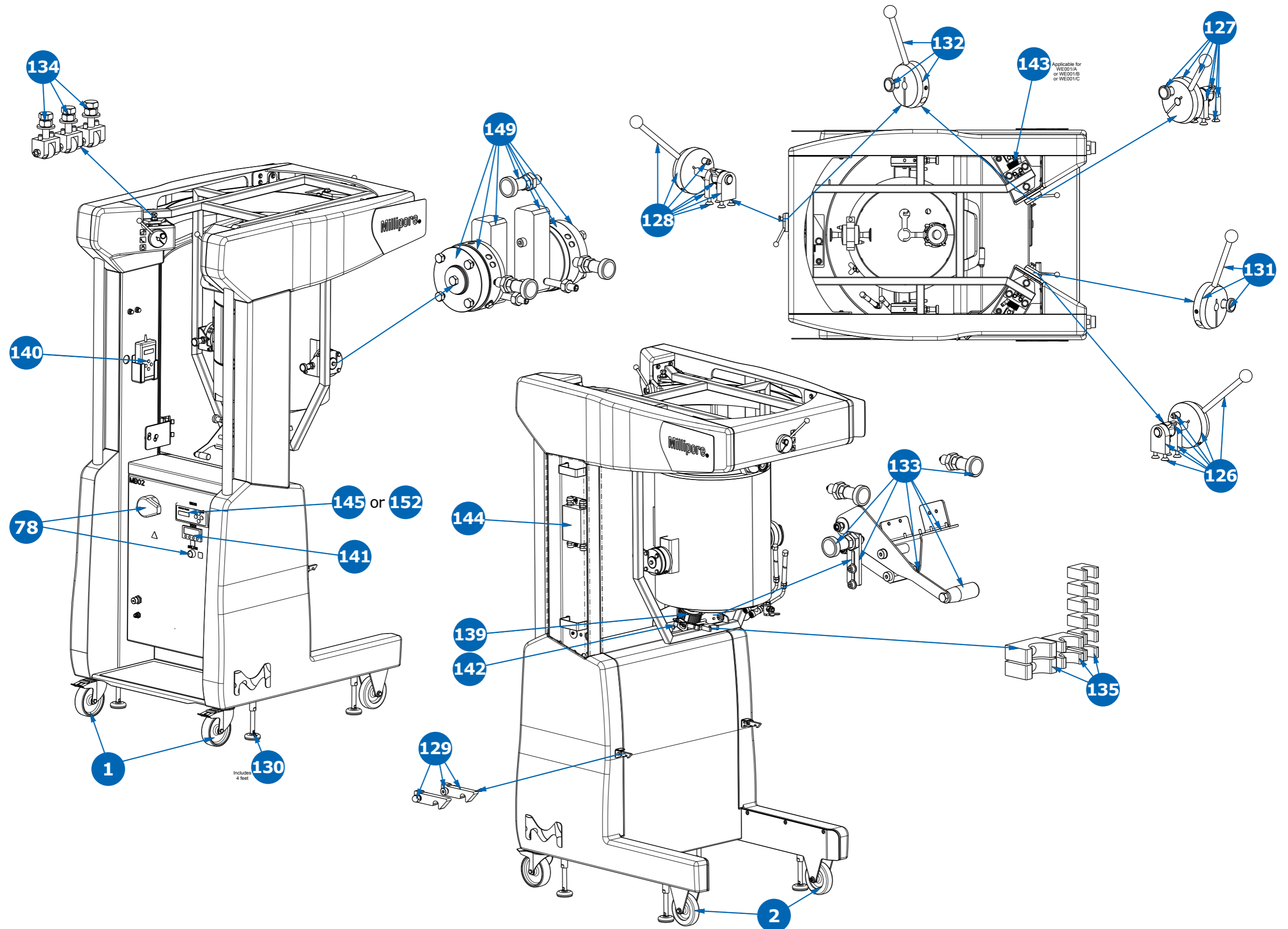
# 6. Tank Cart

## 50 L Plastic Tank Cart—Skid



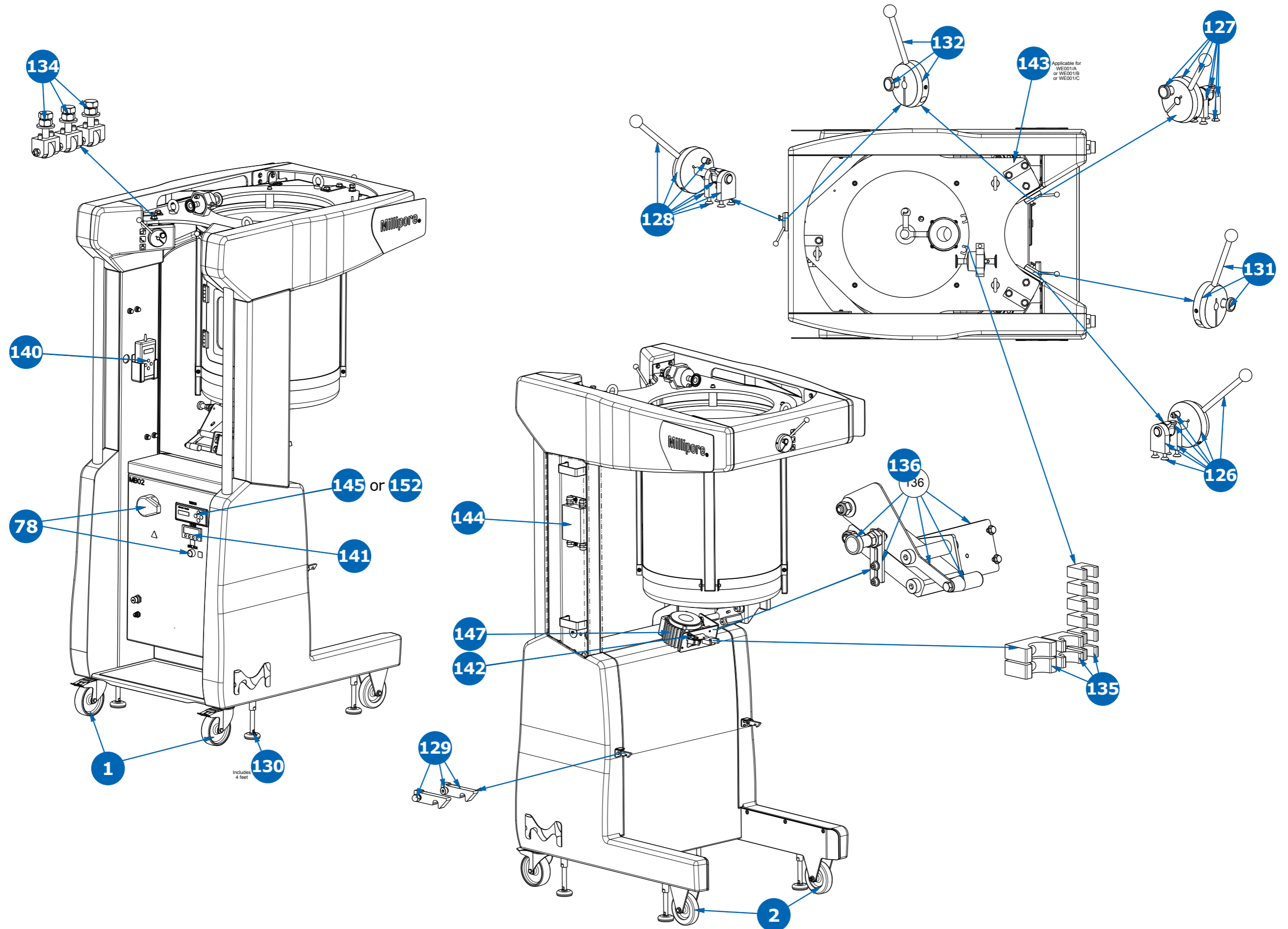
# 6. Tank Cart

## 50 L Stainless Steel Tank Cart—Skid



# 6. Tank Cart

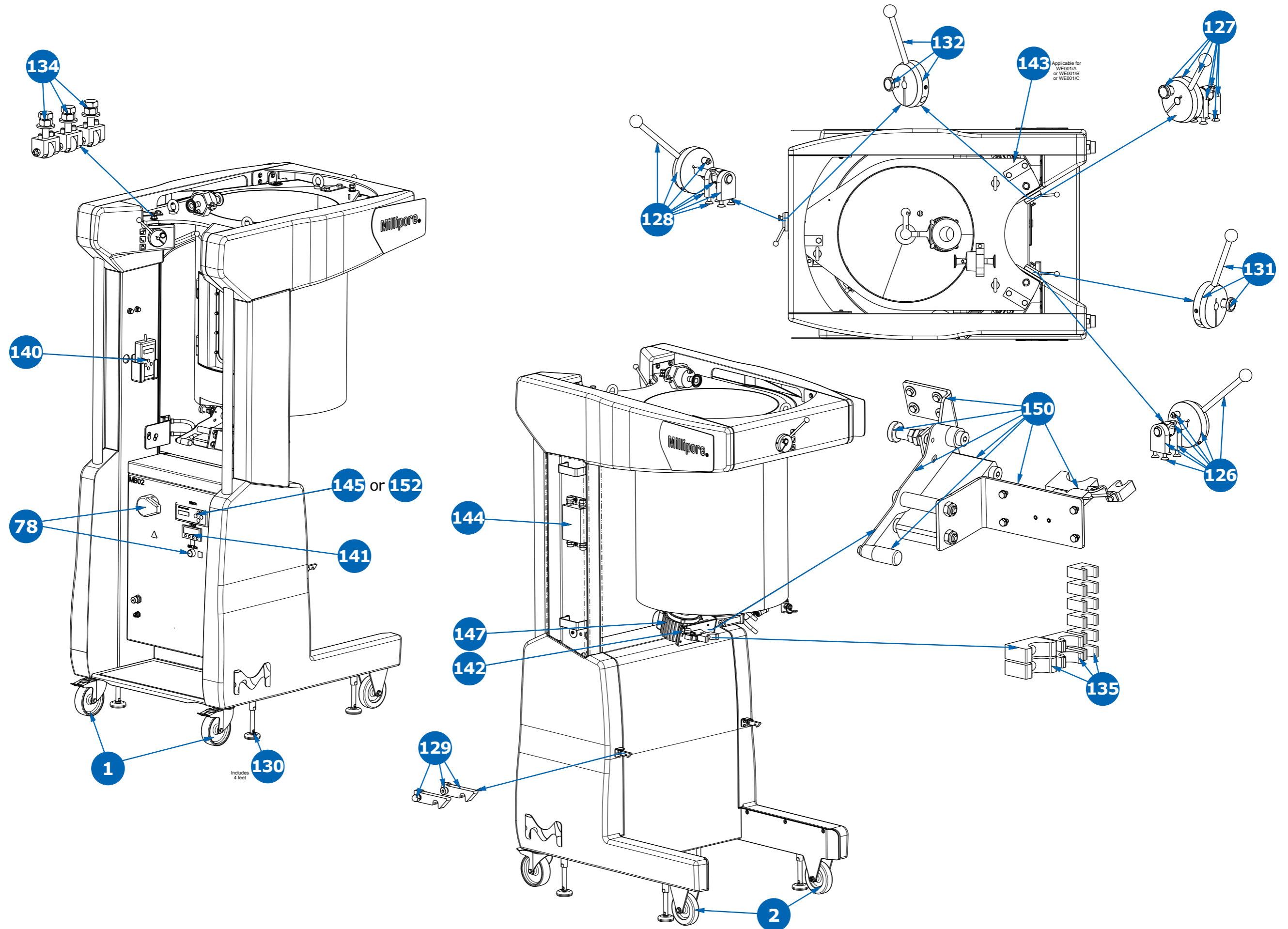
## 100 L Plastic Tank Cart—Skid





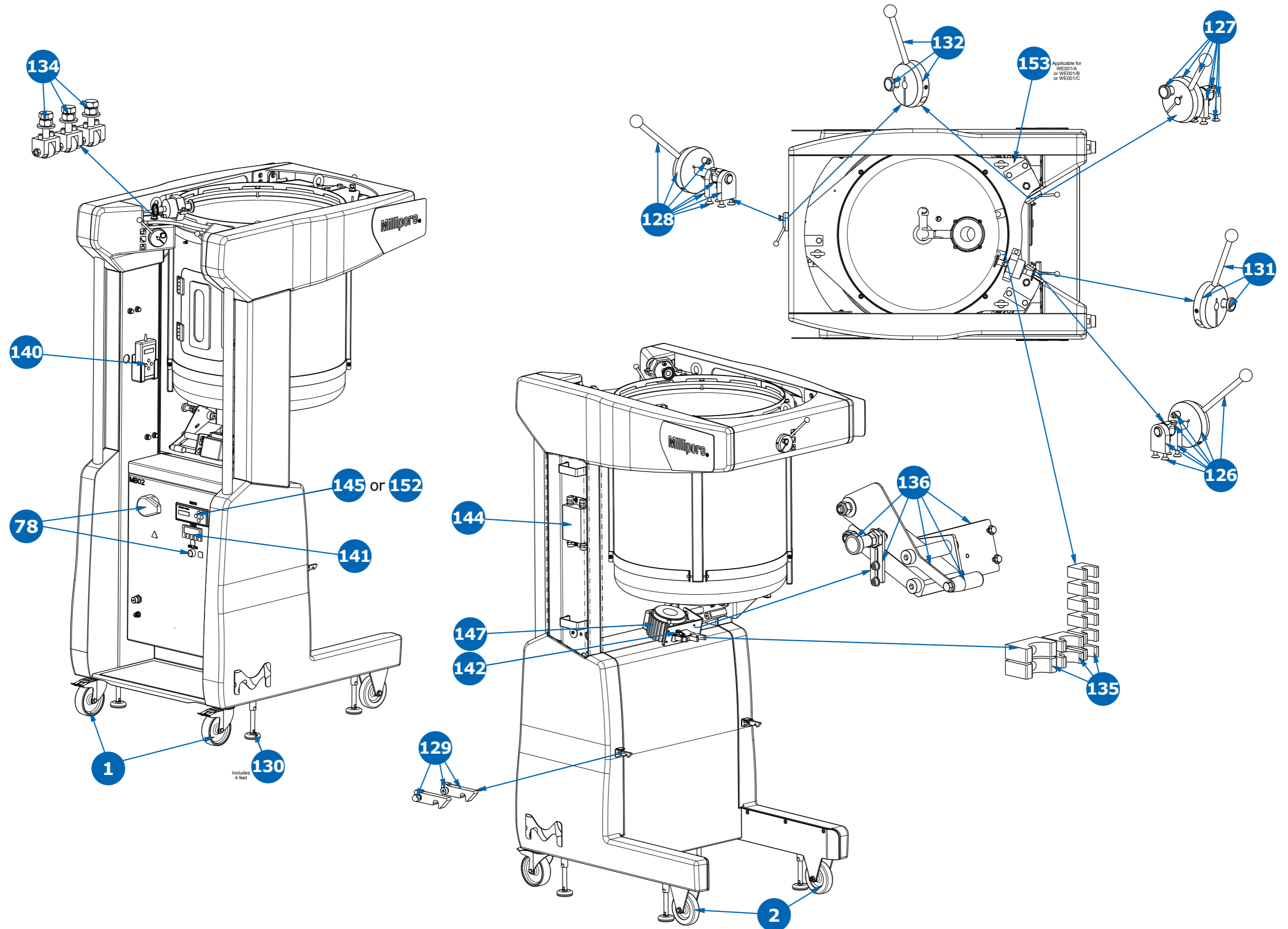
# 6. Tank Cart

## 100 L Stainless Steel Tank Cart—Skid



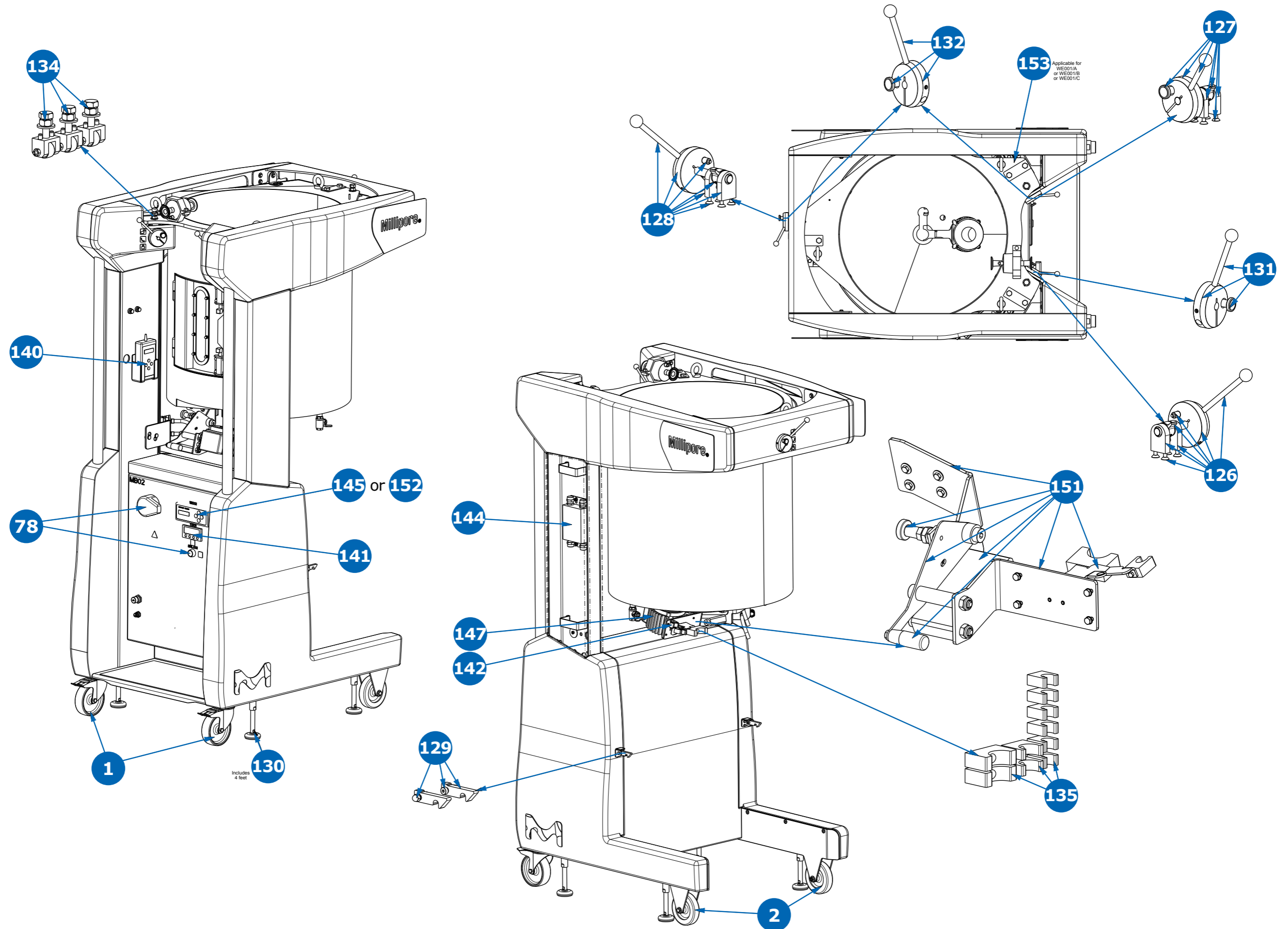
# 6. Tank Cart

## 200 L Plastic Tank Cart—Skid



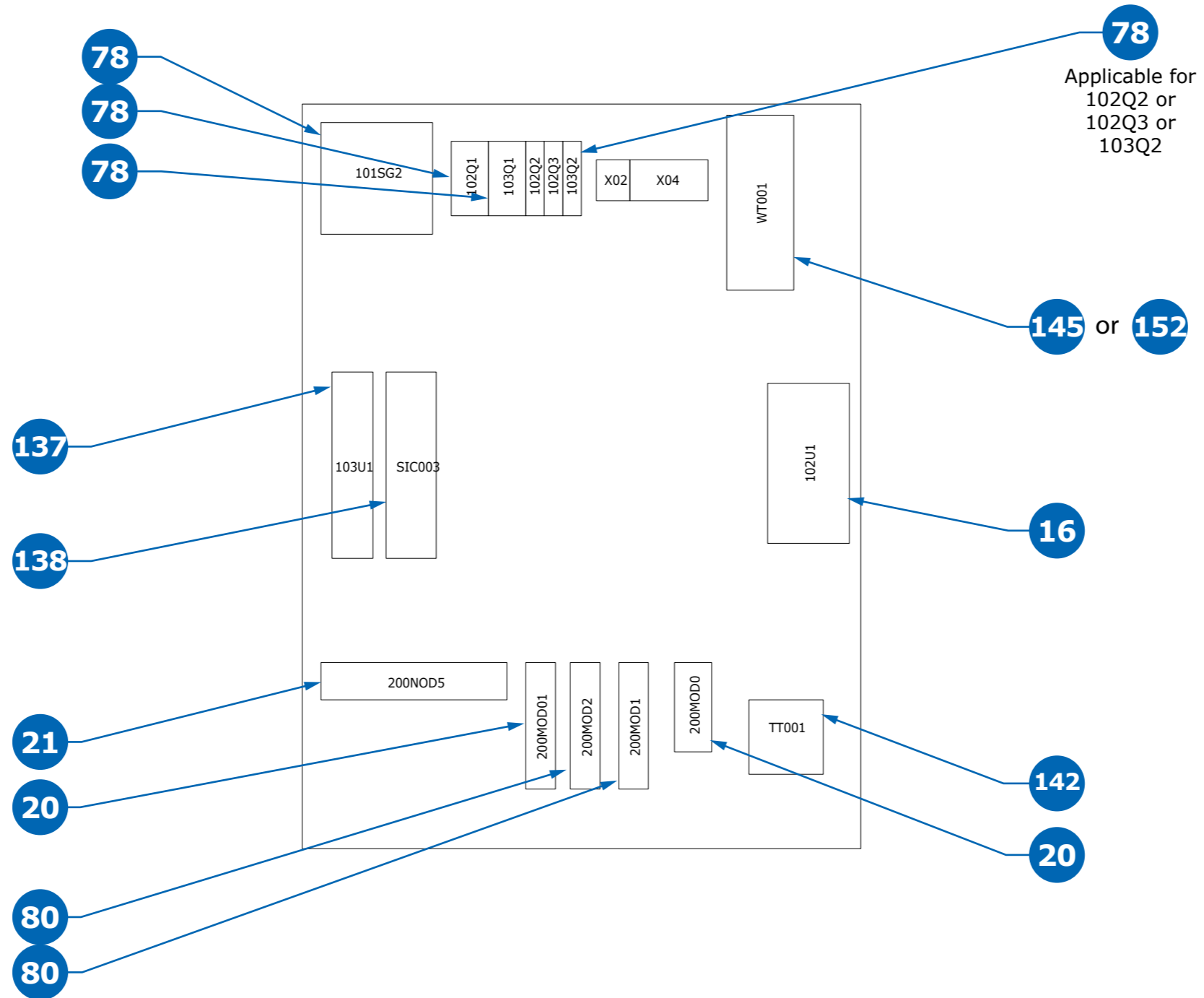
# 6. Tank Cart

## 200 L Stainless Steel Tank Cart—Skid



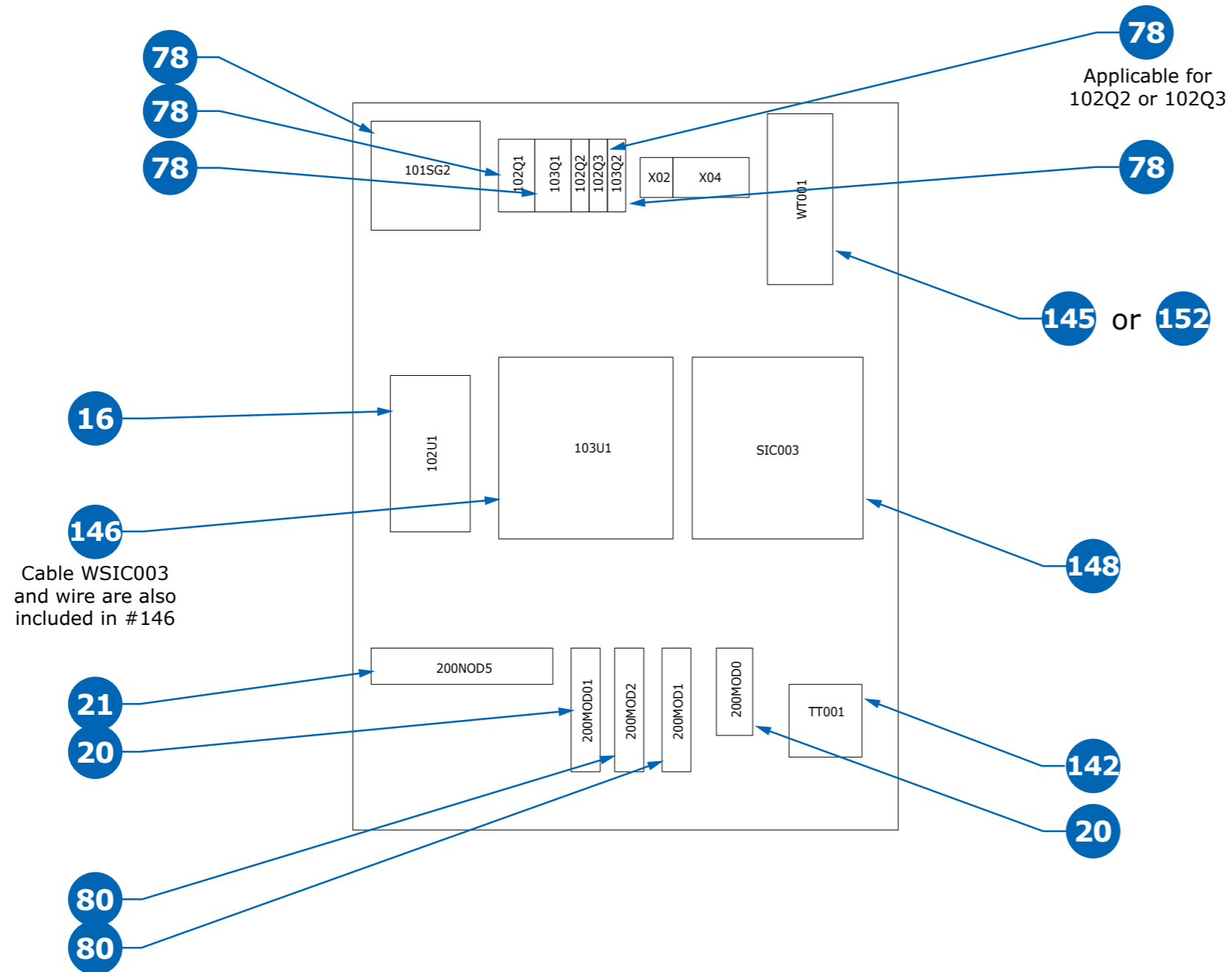
# 6. Tank Cart

## 50 L Tank—Electrical Box



# 6. Tank Cart

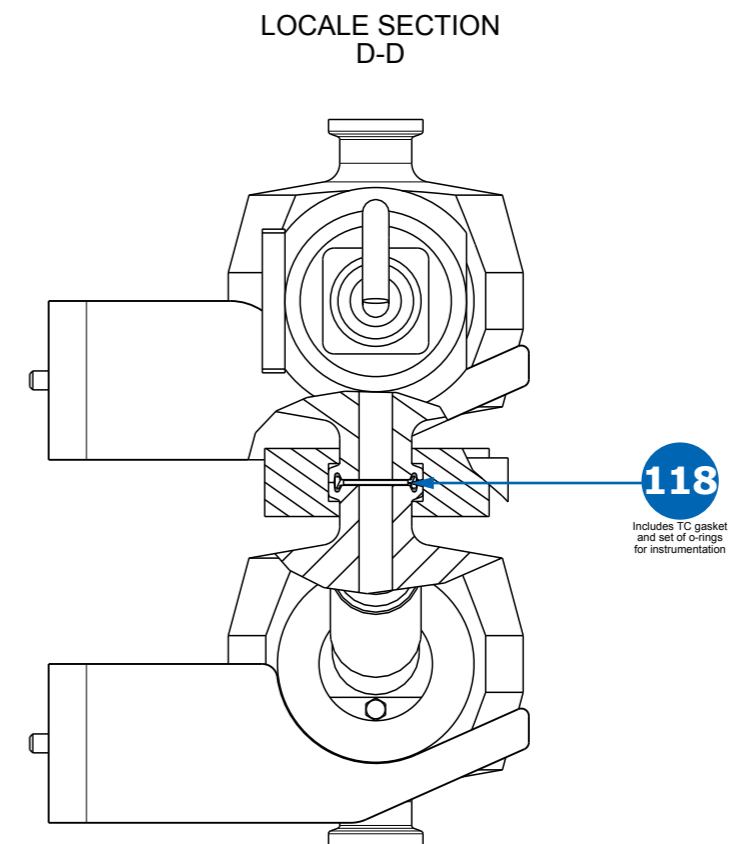
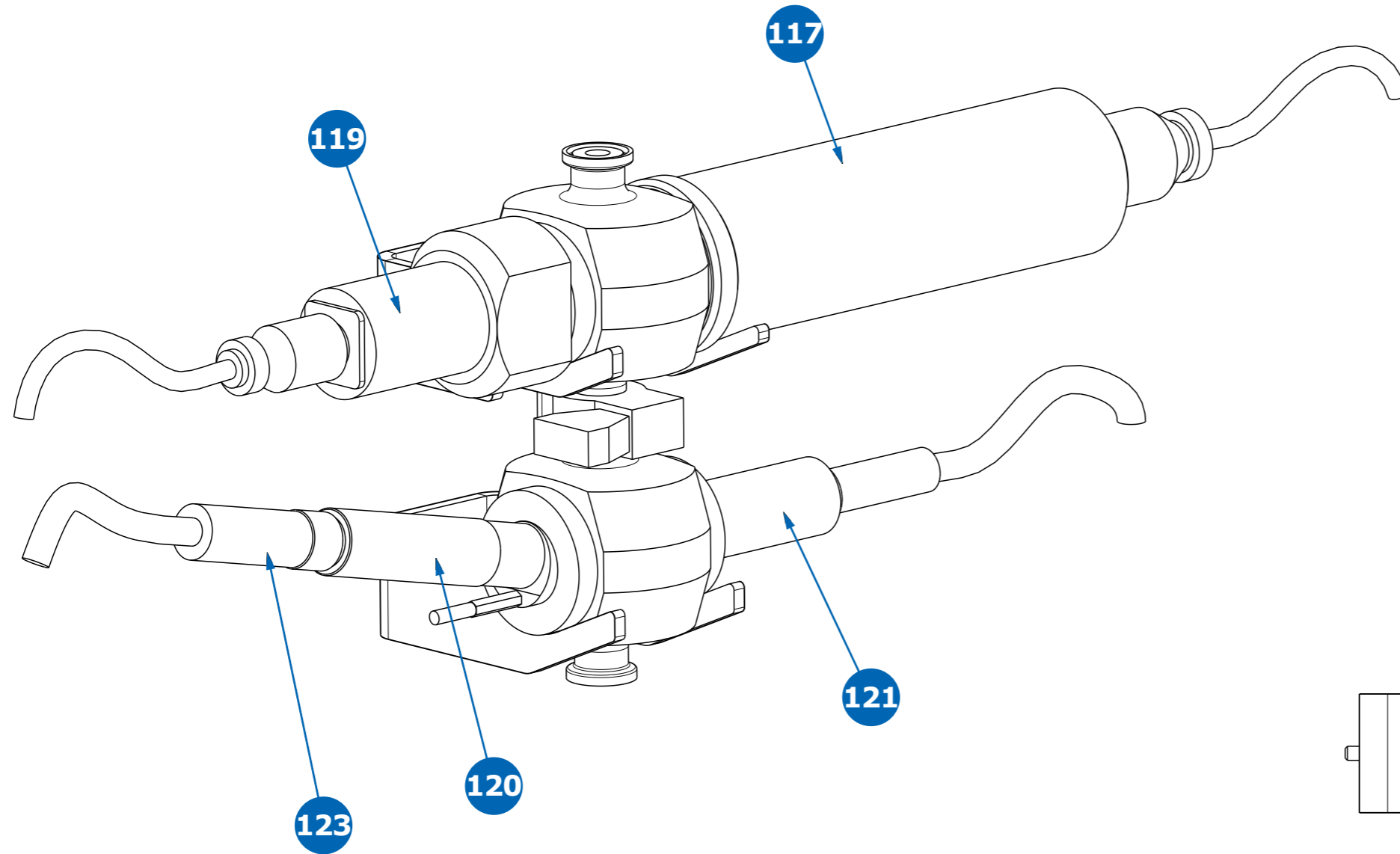
## 100 L & 200 L Tank—Electrical Box





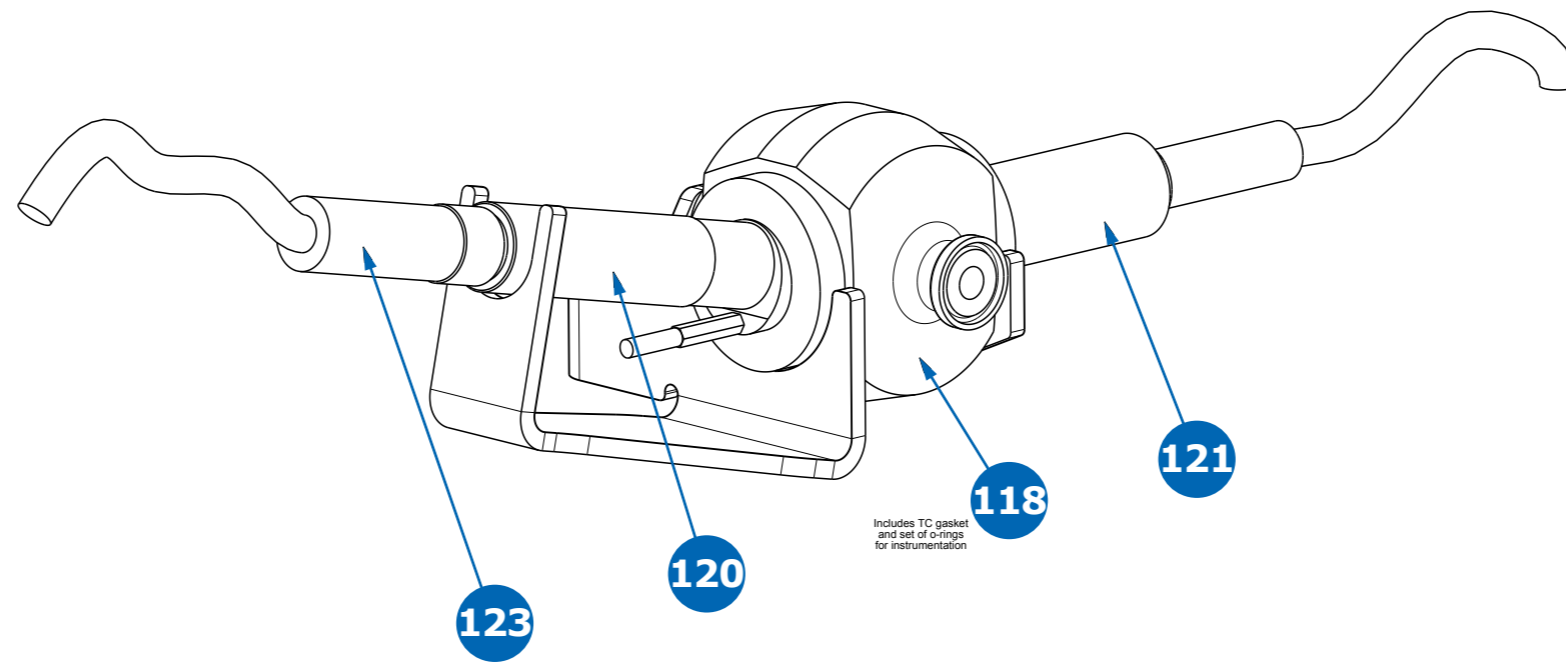
# 7. Instrumentation

## XMO1/2 & XMO3 Multi-Use Post-Column Instrumentation (pH/UV/Conductivity)



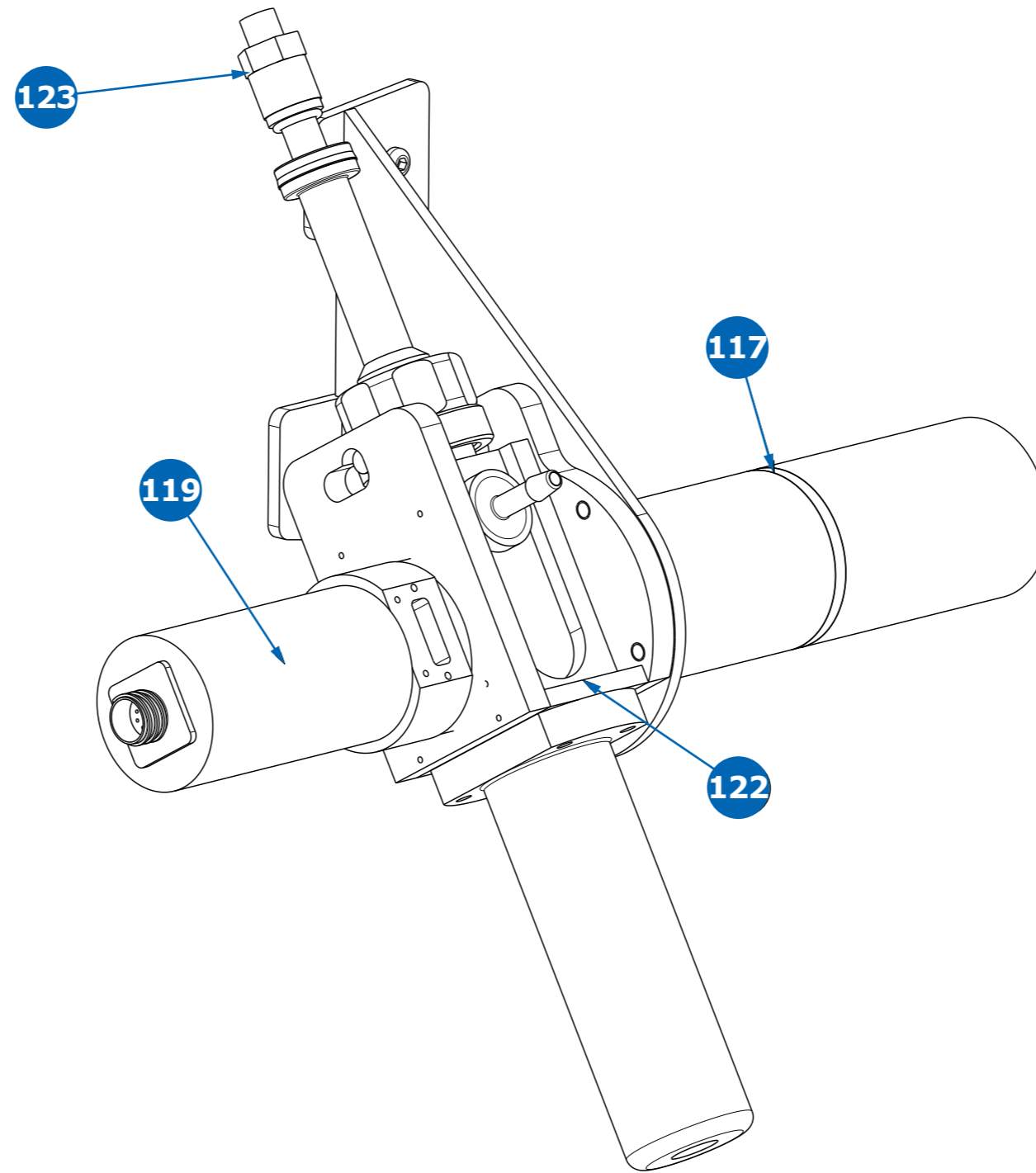
# 7. Instrumentation

## XMO1/2 & XMO3 Multi-Use Pre-Column Instrumentation (pH/Conductivity)



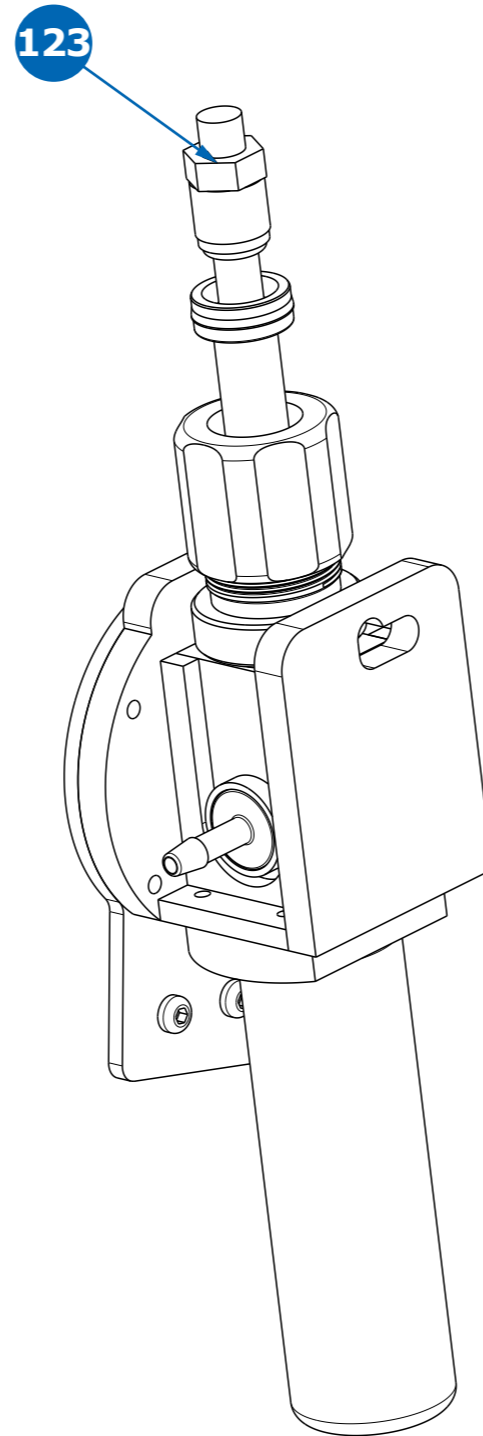
# 7. Instrumentation

## XMO1/2 & XMO3 Single-Use Post-Column Instrumentation (pH/UV/Conductivity)



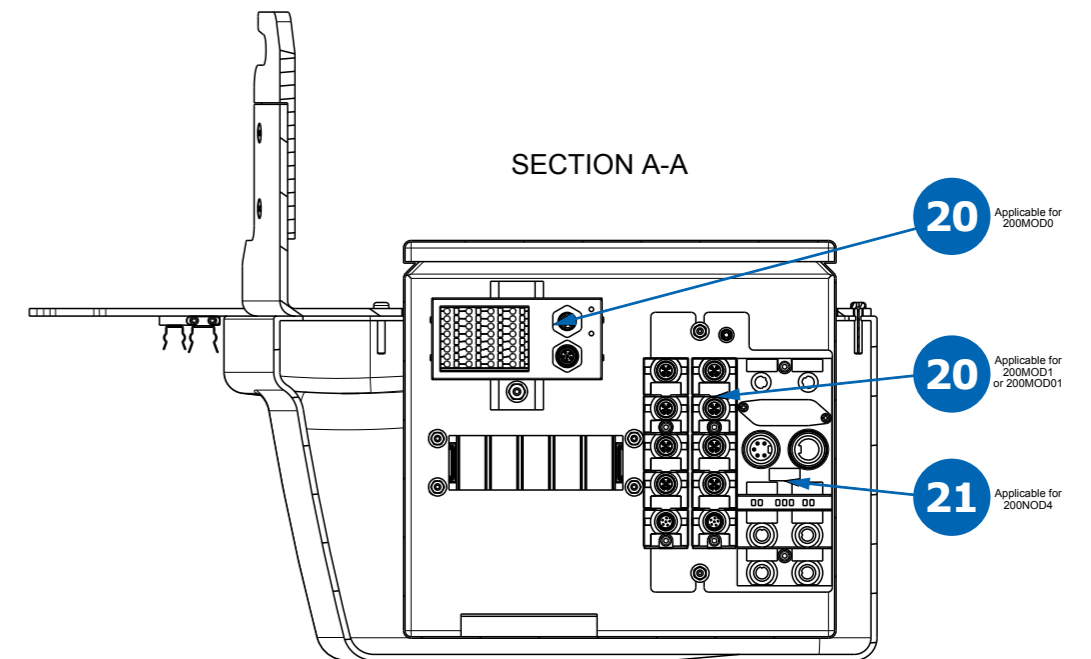
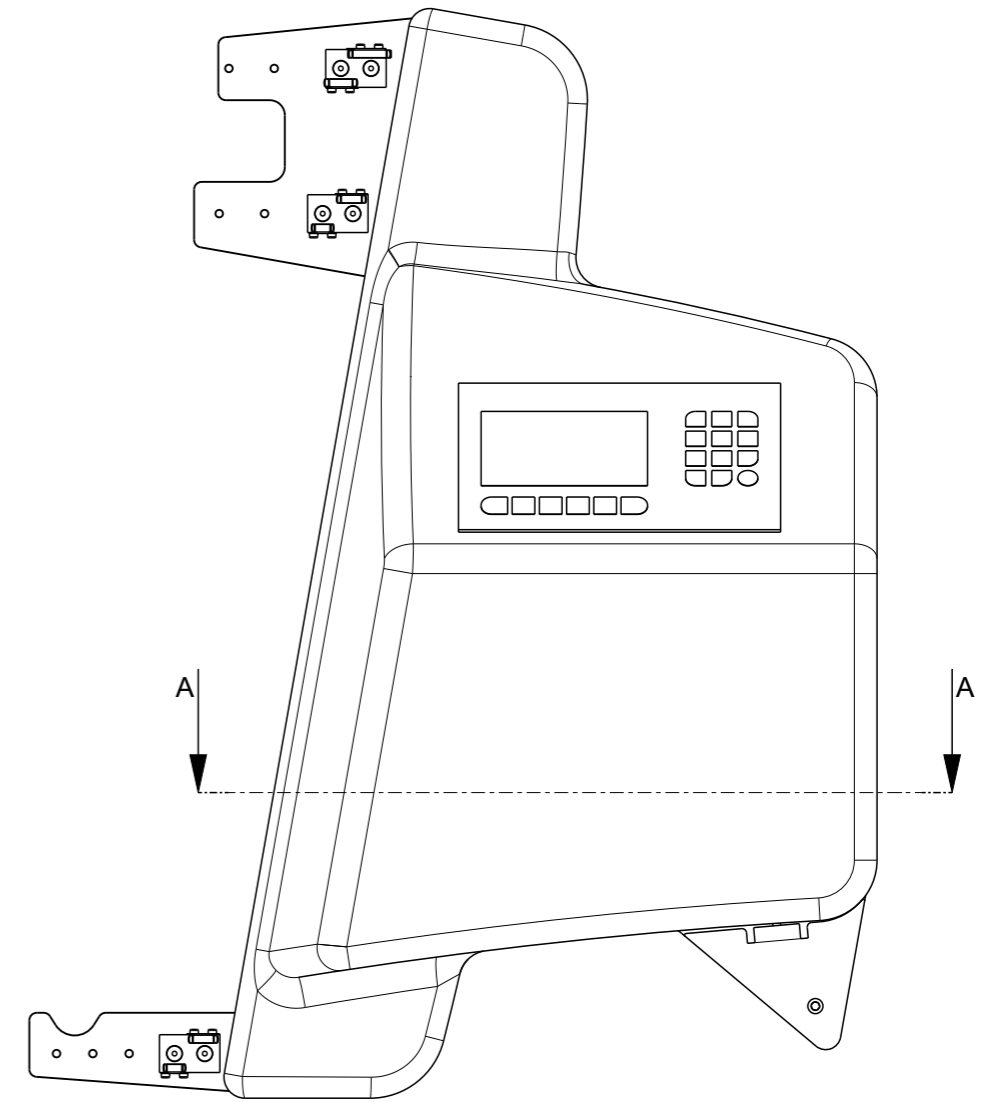
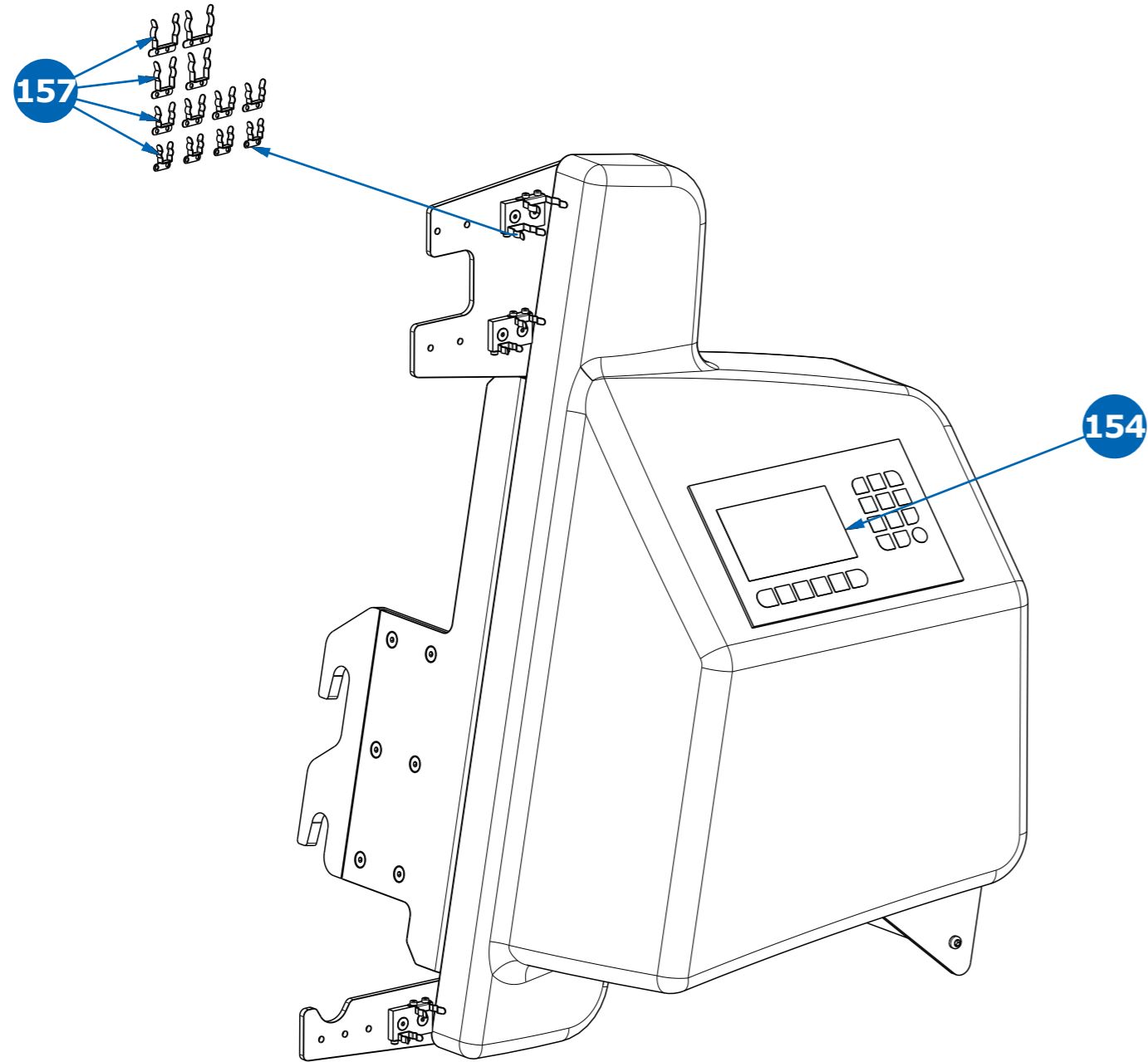
# 7. Instrumentation

## XMO1/2 & XMO3 Single-Use Pre-Column Instrumentation (pH/Conductivity)



# 7. Instrumentation

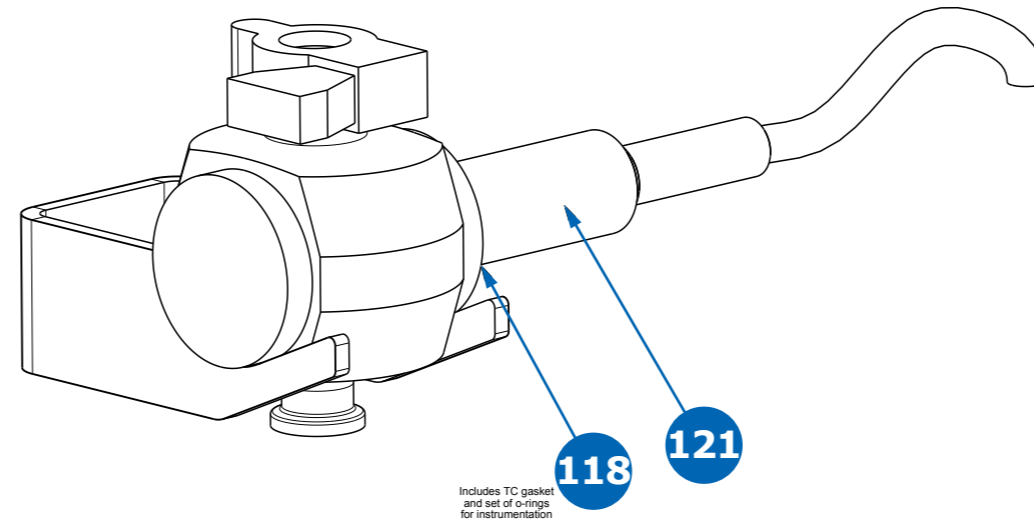
## XMO1/2 & XMO3 Pre- & Post-Column Instrumentation Transmitter





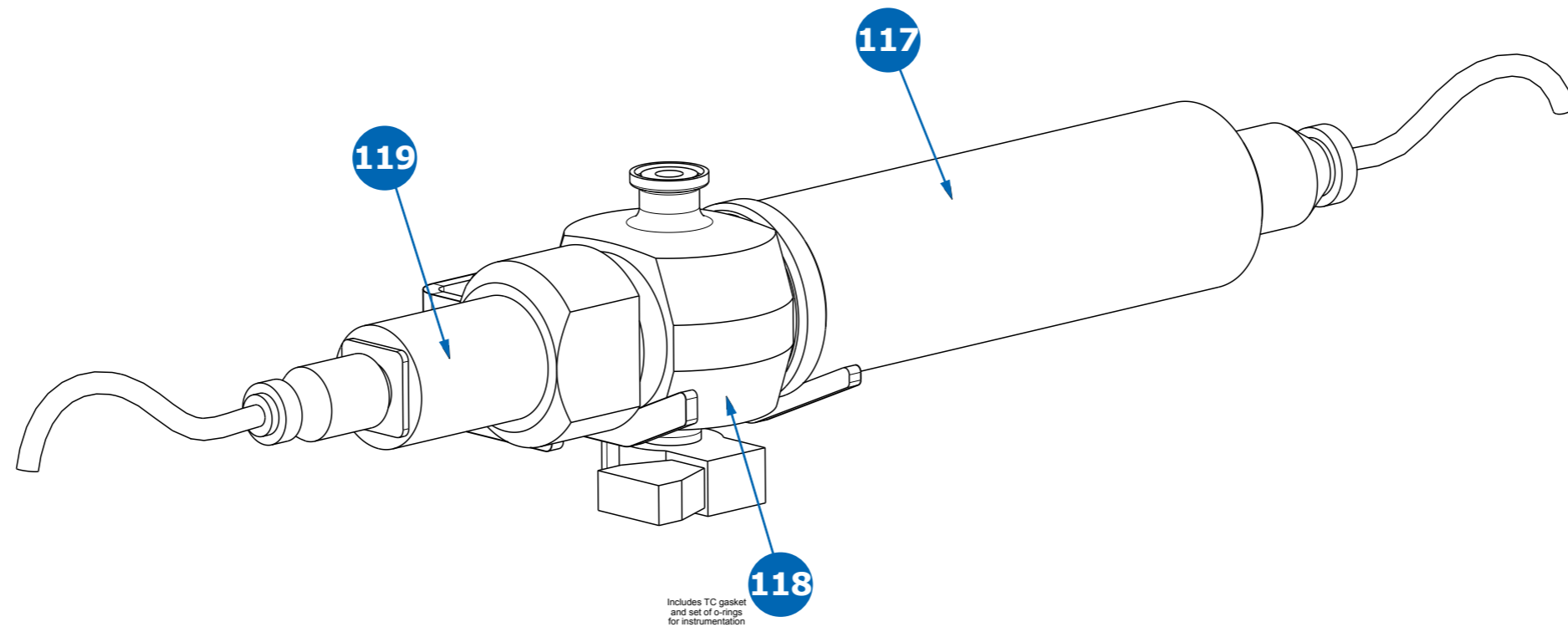
# 7. Instrumentation

## TF2S & TF3S Multi-Use Filtrate Conductivity



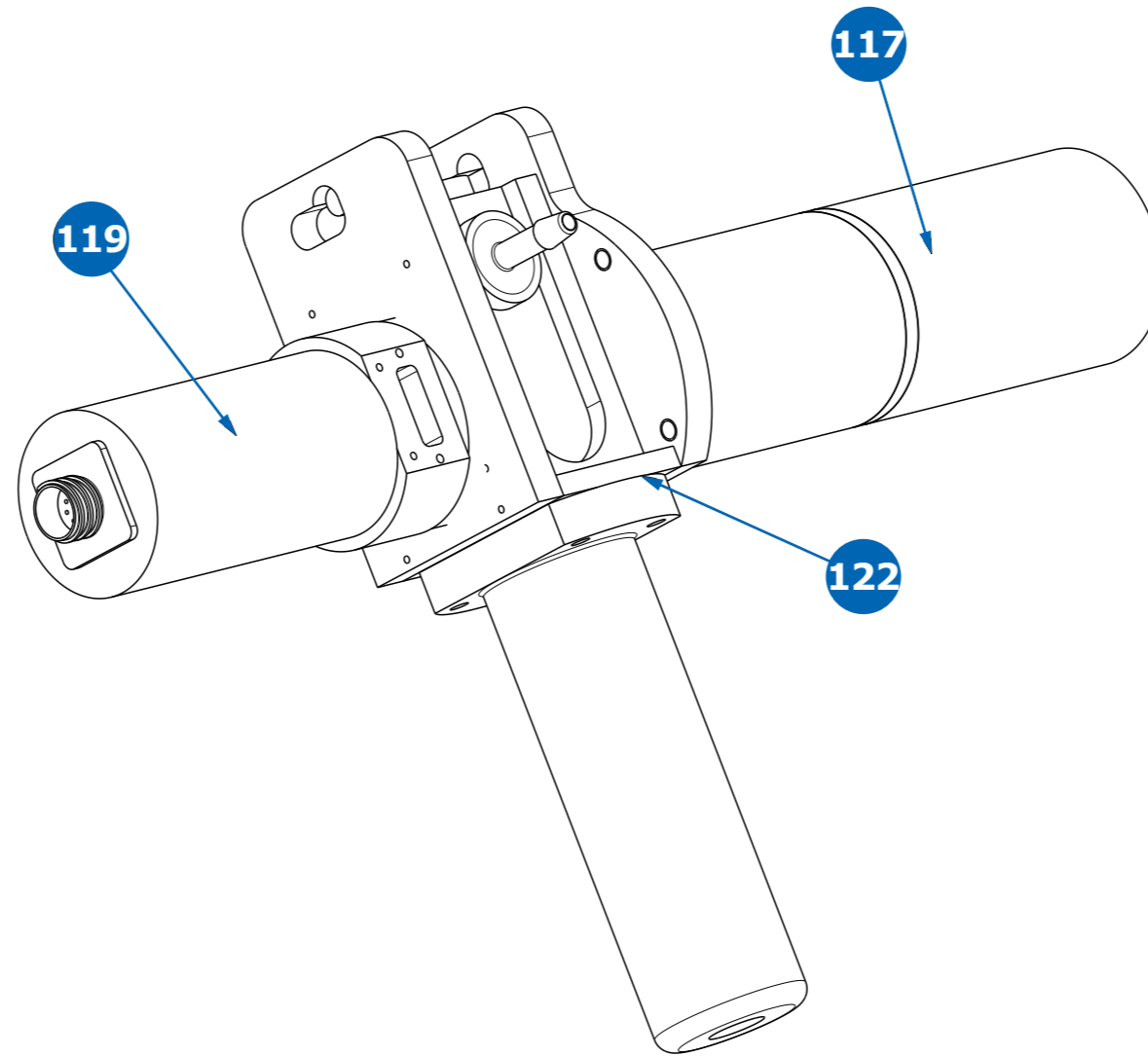
# 7. Instrumentation

## TF2S & TF3S Multi-Use Filtrate UV



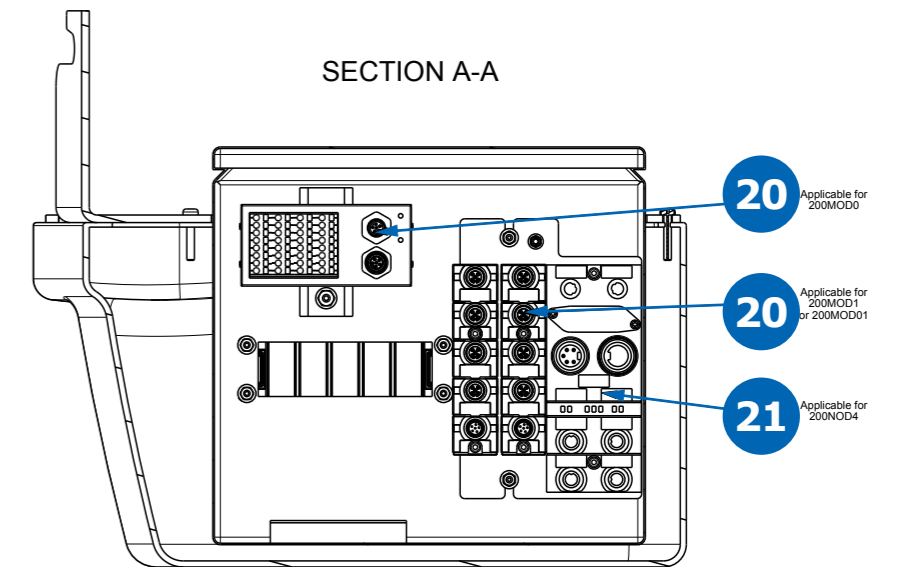
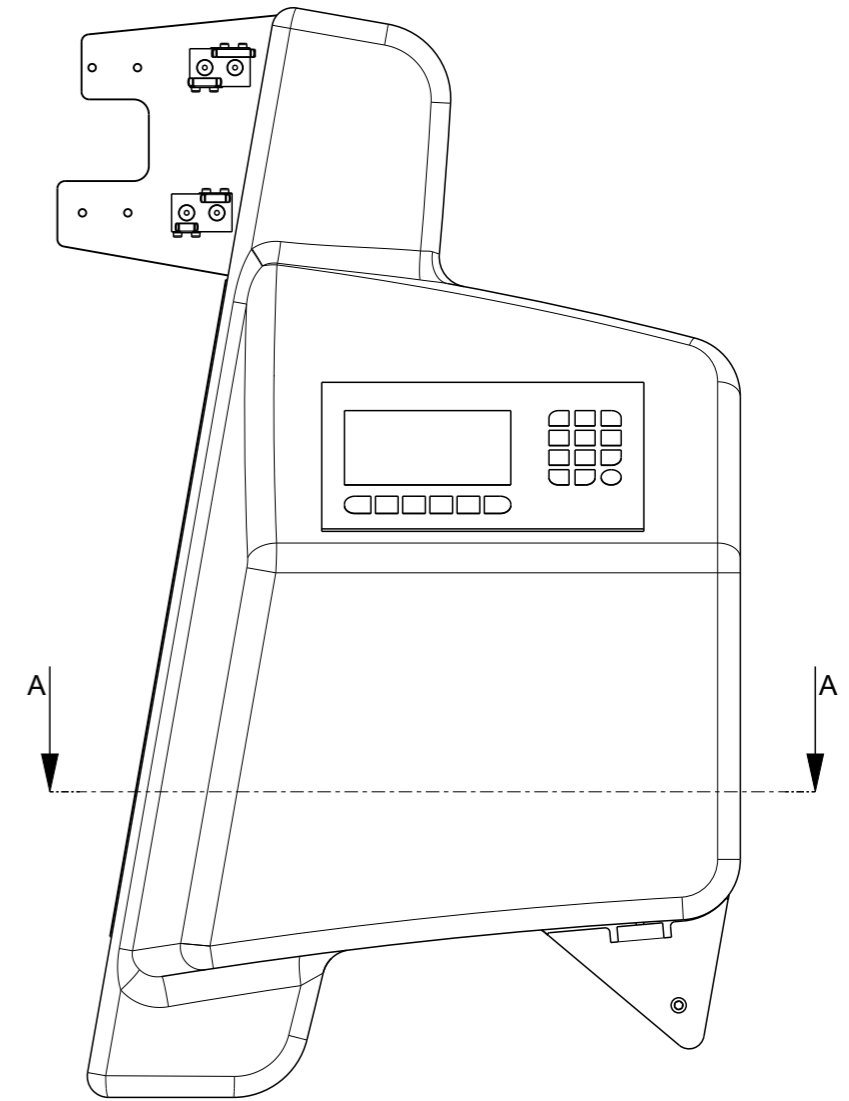
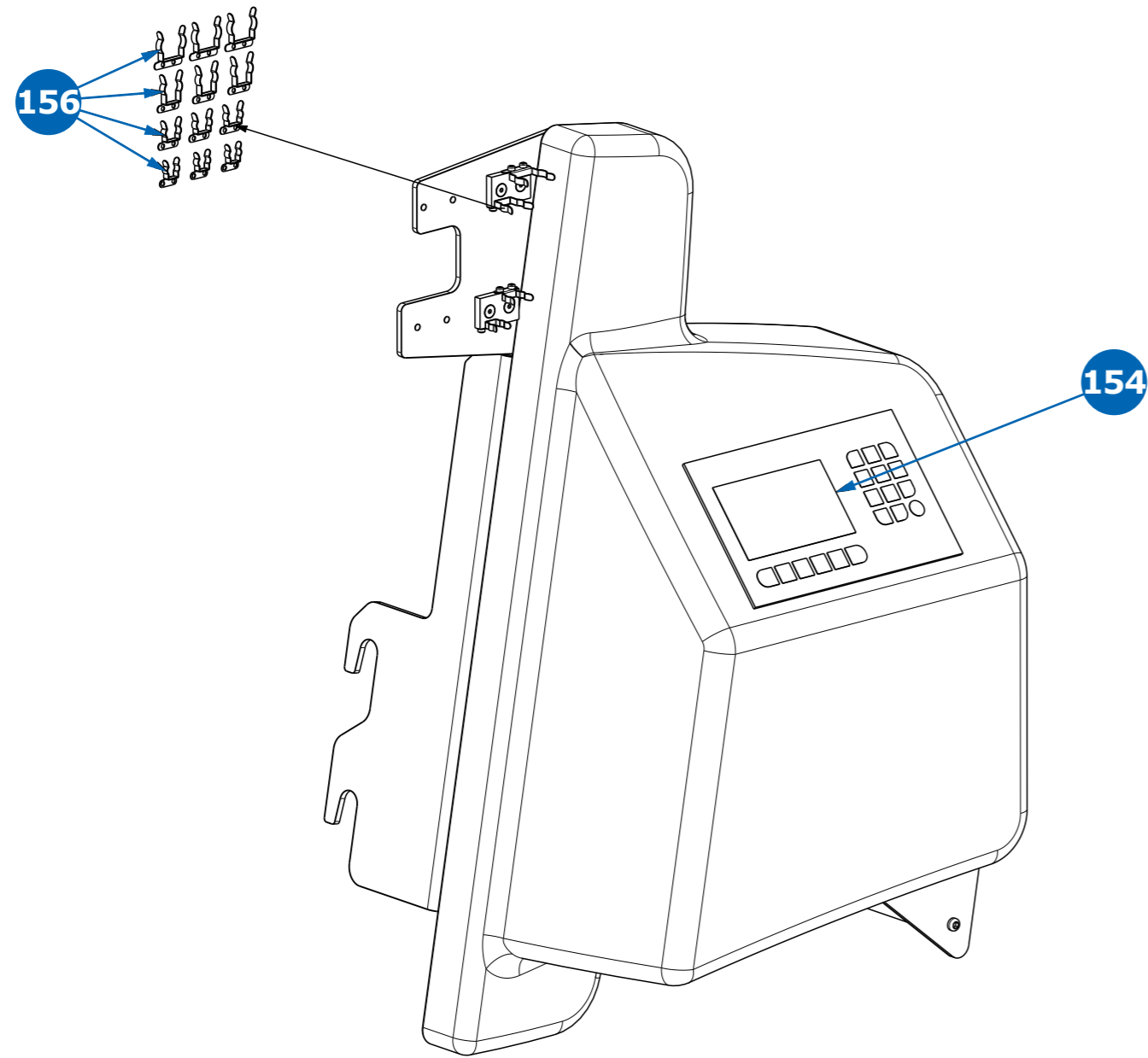
# 7. Instrumentation

## TF2S & TF3S Single-Use Filtrate UV & Conductivity



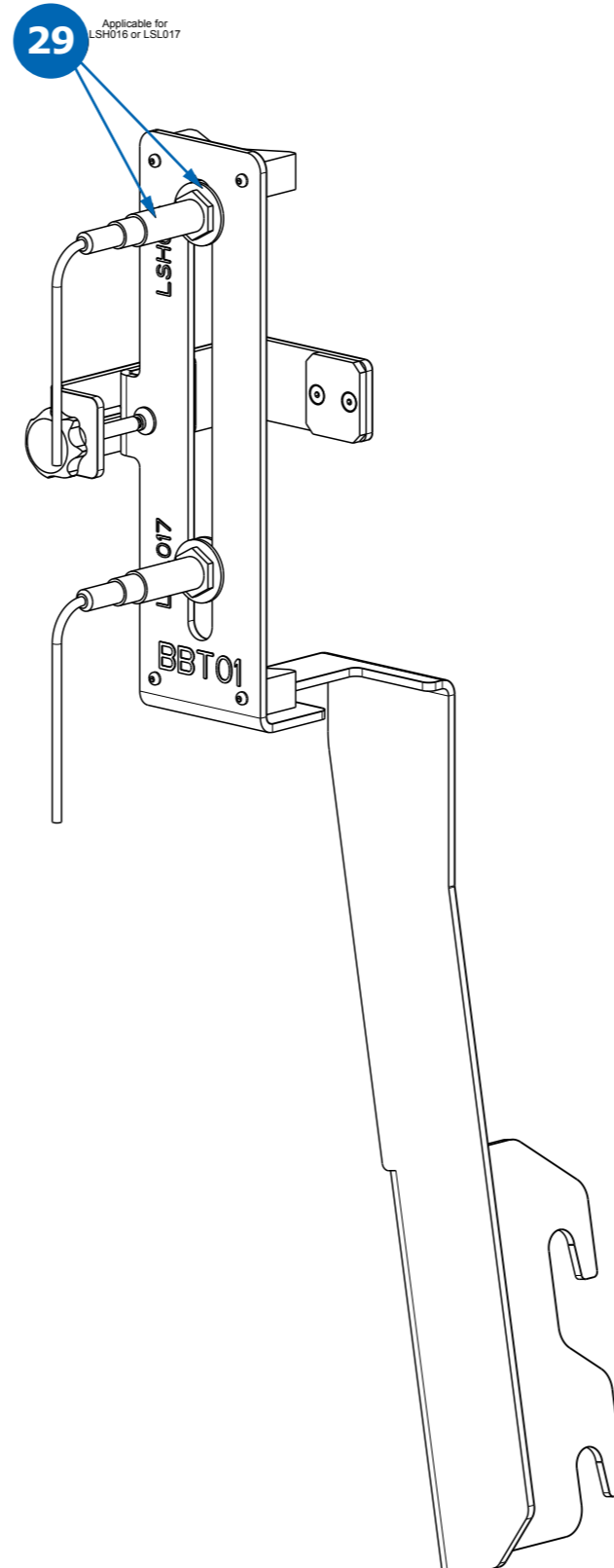
# 7. Instrumentation

## TF2S & TF3S Filtrate Instrumentation Transmitter



# 8. Accessories

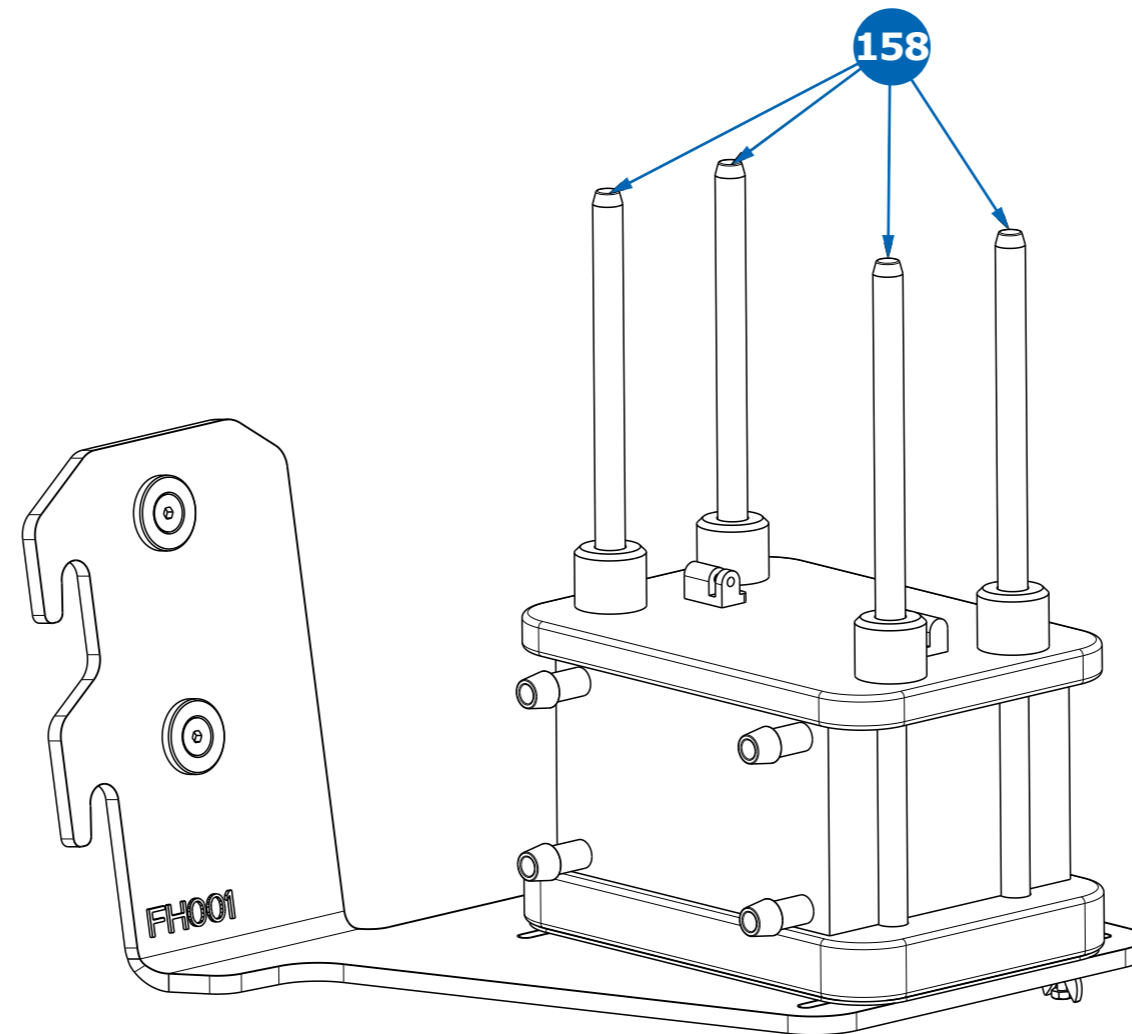
## XMO1/2 & XMO3 Bubble Trap Support





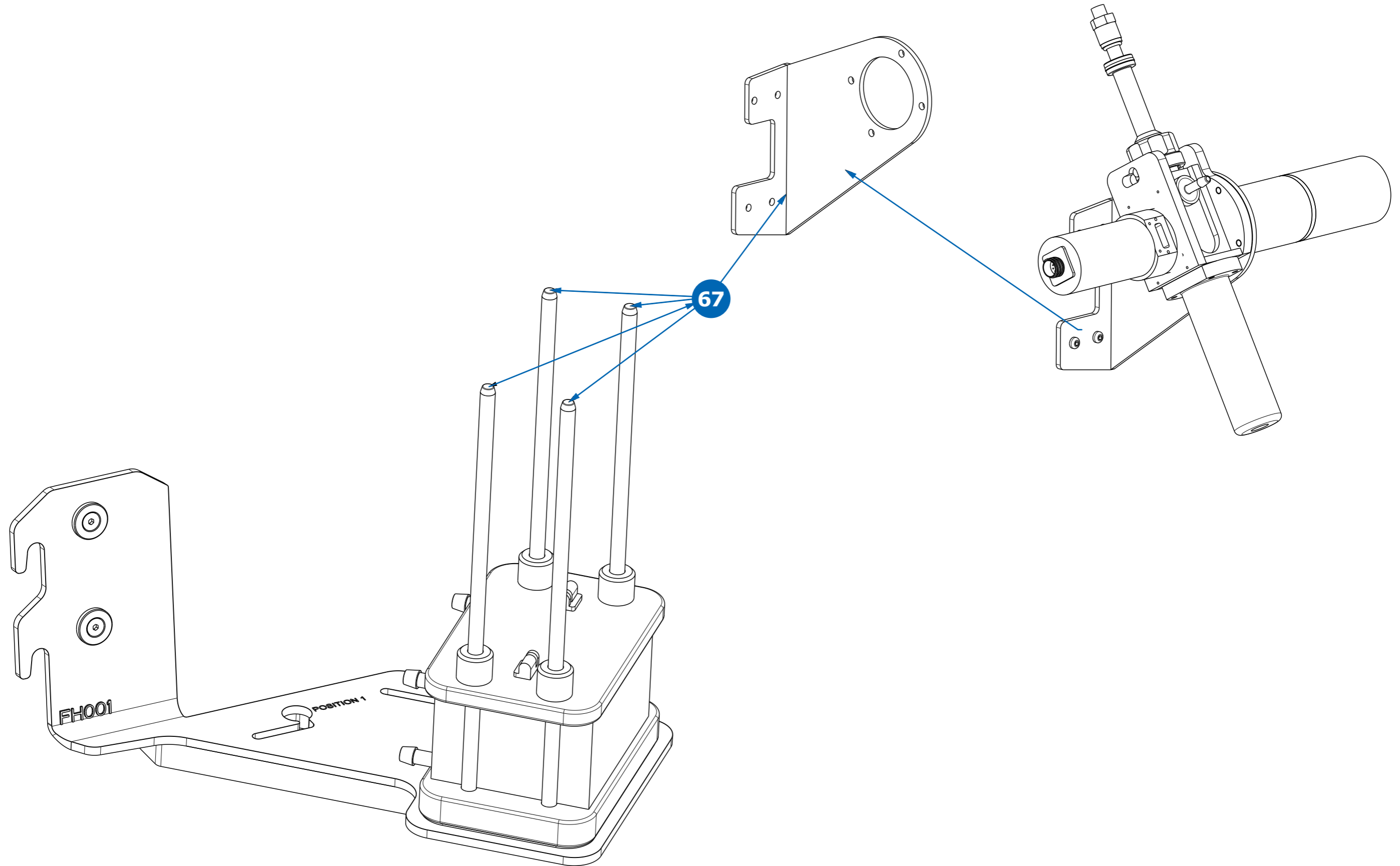
## 8. Accessories

### TF2S Cassettes Holder (up to 10 m<sup>2</sup>)



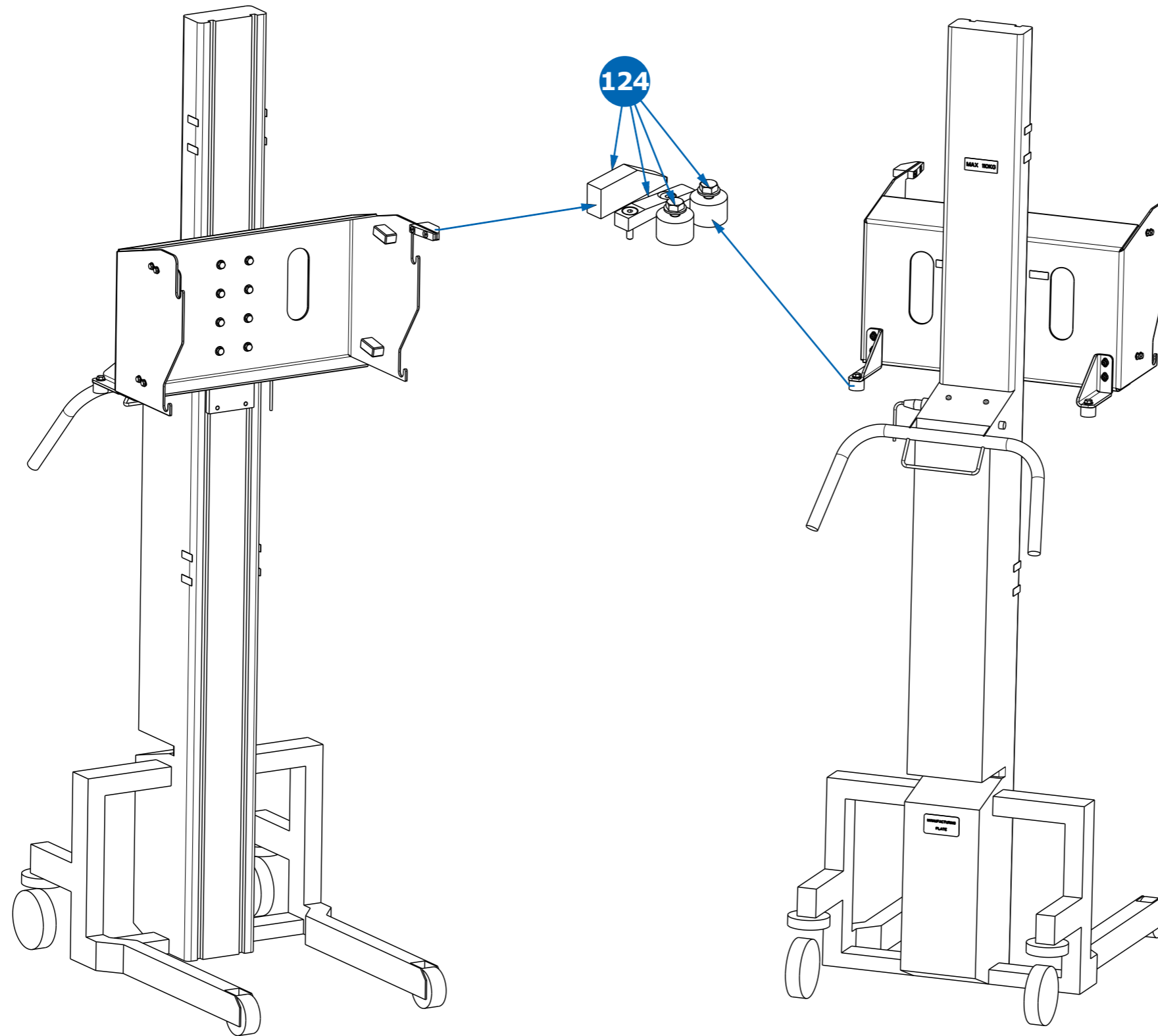
# 8. Accessories

## TF3S Cassettes Holder (up to 20 m<sup>2</sup>)



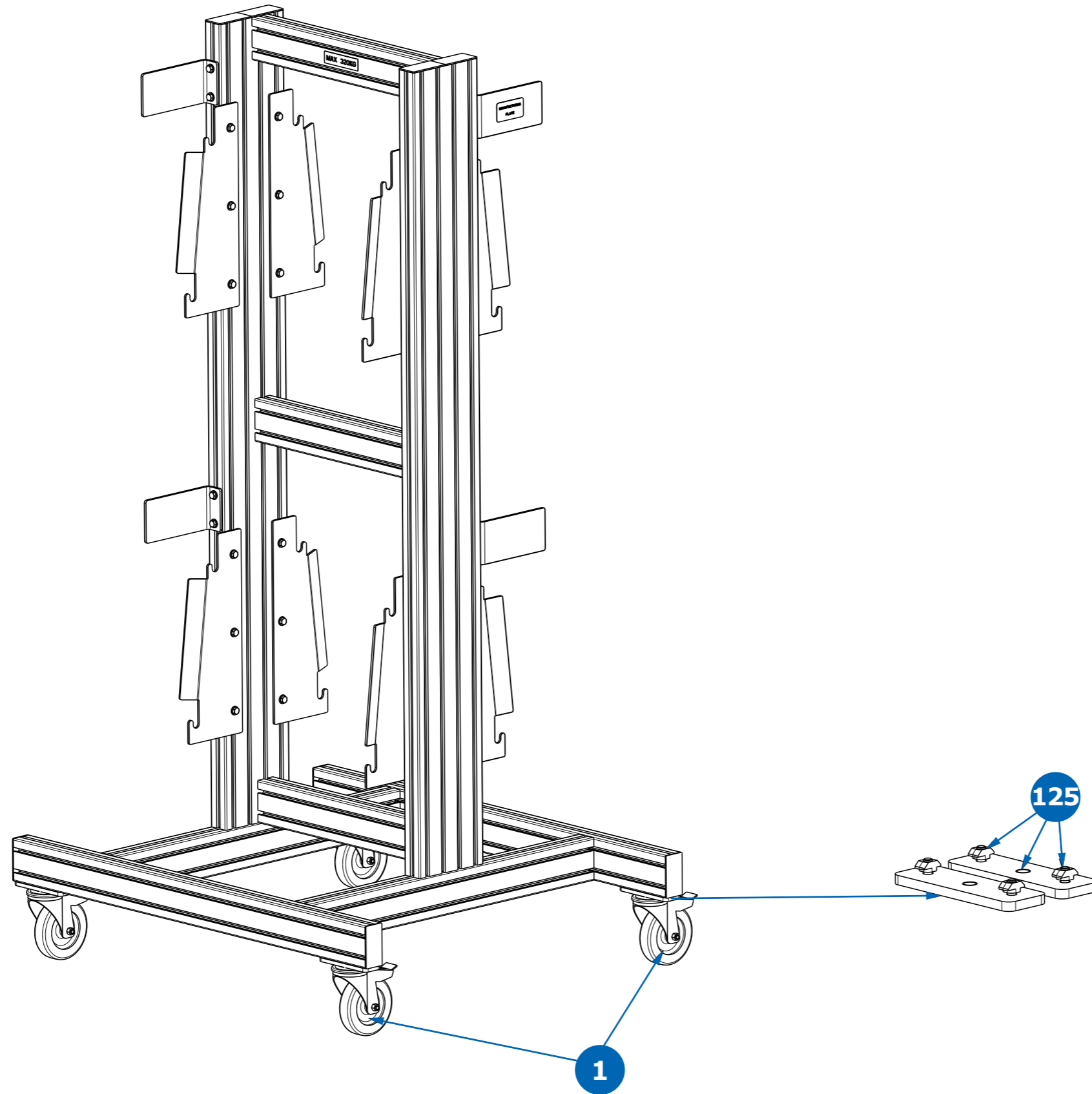
# 8. Accessories

## Clamshell Lift



# 8. Accessories

## Storage Rack



## Technical Assistance

For more information, please visit [www.sigmaaldrich.com](http://www.sigmaaldrich.com)  
for up-to-date worldwide contact information

