

Spare parts

QuikScale® Chromatography columns

Diameters 200/250/300 mm

- 1. Bottom Column 200 mm3
- 2. Bottom Column 250 mm7
- 3. Bottom Column 300 mm11
- 4. Top Column 200 mm17
- 5. Top Column 250 mm18
- 6. Top Column 300 mm19



The life science business of Merck operates as MilliporeSigma in the U.S. and Canada.

Spare Parts

To help you select and manage the spare parts required for your system, our experts have performed a risk assessment to determine which parts to keep in stock.

The risk assessment is based on our experience; each customer must perform their individual risk assessment for their process, to ensure alignment with our strategy, and review the stock requirements accordingly.

As a result of this risk assessment, we defined 3 categories of spare parts:

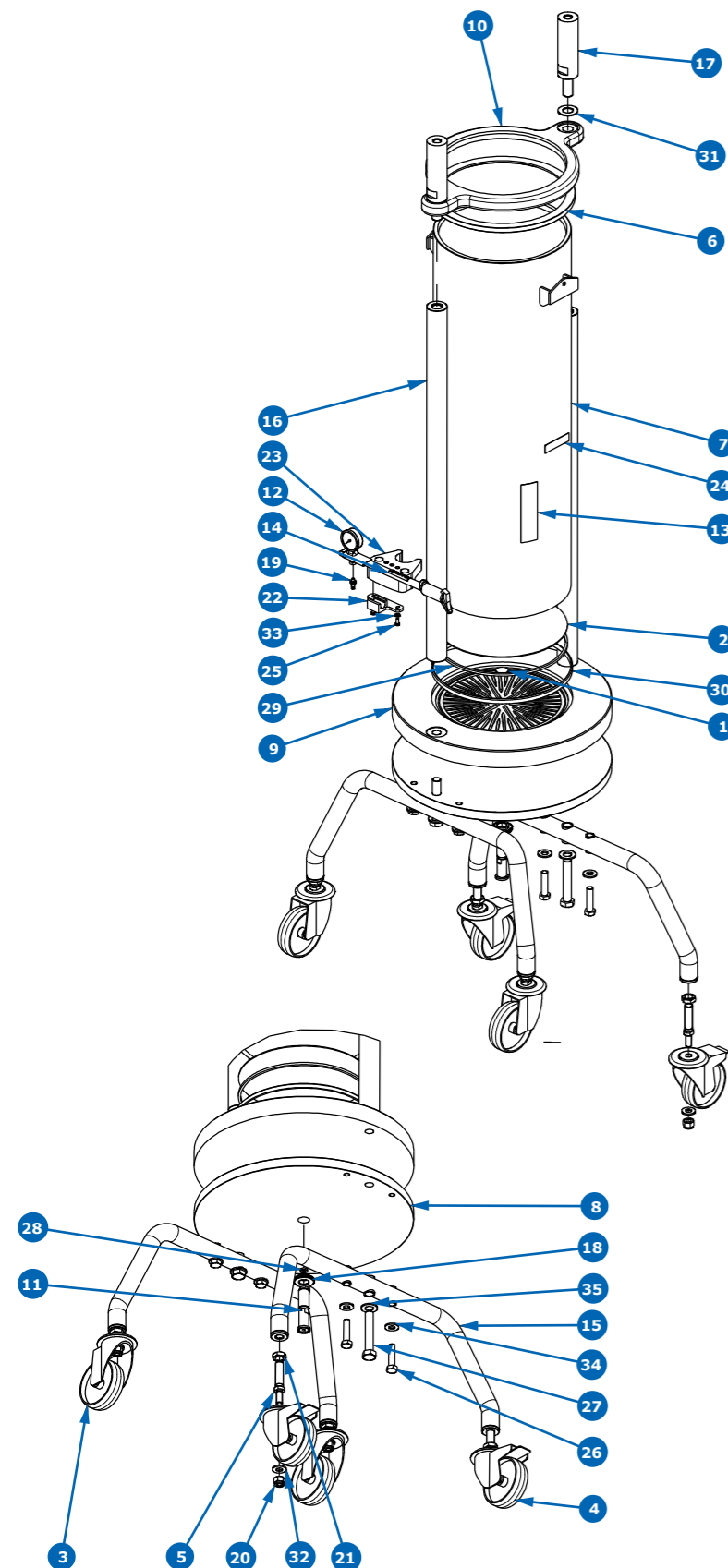
Type of parts	Description	Stock recommendation
Preventive maintenance parts	These parts are subject to wear and tear and we recommend replacing them on a regular basis. Under average usage conditions, these parts should be replaced at least once per year. A risk assessment based on the specific system usage and production conditions may result in a need to replace some or all of these parts more frequently. Not replacing wear and tear parts as recommended can impact system functionality and may result in system shutdown.	1 part per unit
Critical parts	These parts have been identified as most critical to avoiding system downtime and are recommended to be kept in stock for immediate availability.	1 part per unit
All other parts	All other individual parts.	Risk-based customer decision

Based on our risk analysis, preventive maintenance and critical spare parts are essential to keep your equipment running. We recommend keeping preventive maintenance and critical spare parts in stock.

For additional information, please visit: MerckMillipore.com/Systems-Services

Product Description	Catalogue number
ANNUAL SPARES KIT 200 mm GA & GS COLUMNS	GL105504
QS200 ANNUAL SPARES KIT HIGH FLOW TUBE	SPKQS200032
SANITARY SEALS KIT 6 mm I/D	GL105020
SANITARY SEALS KIT 10 mm I/D	GL105021
60 mm BUBBLE TRAP SPARES KIT	GL105007
90 mm BUBBLE TRAP SPARES KIT	GL105008
ANNUAL SPARES KIT 250 mm GA & GS COLUMNS	GL105505
QS250 ANNUAL SPARES KIT HIGH FLOW TUBE	SPKQS250028
SANITARY SEALS KIT 6 mm I/D	GL105020
SANITARY SEALS KIT 10 mm I/D	GL105021
60 mm BUBBLE TRAP SPARES KIT	GL105007
90 mm BUBBLE TRAP SPARES KIT	GL105008
ANNUAL SPARES KIT 300 mm GA & GS COLUMNS	GL105506
QS300 ANNUAL SPARES KIT HIGH FLOW TUBE	SPKQS300037
SANITARY SEALS KIT 6 mm I/D	GL105020
SANITARY SEALS KIT 10 mm I/D	GL105021
60 mm BUBBLE TRAP SPARES KIT	GL105007
90 mm BUBBLE TRAP SPARES KIT	GL105008

Kits for Bottom QuikScale® Column—Diameter 250 GS SST



REF GS253511—GS253512—GS253513

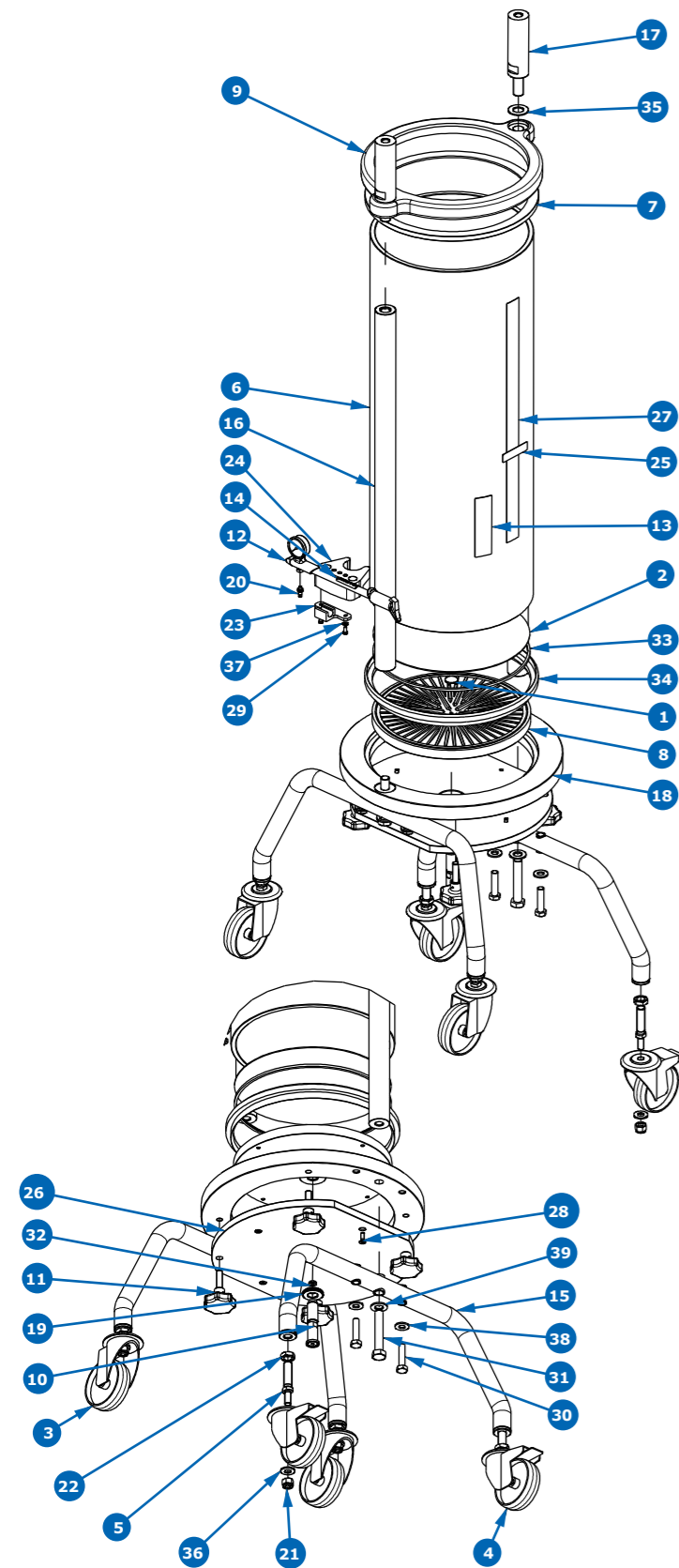
NOTE 1		
Adjuster Bed Support		
10 µm	20 µm	30 µm
SPKQS250015	SPKQS250016	SPKQS250017

NOTE 2		
HEIGHT	LOAD PILLAR M24	COLUMN TUBE & SCALE LABEL
250 x 550	SPKQS2025300013	SPKQS250012
250 x 800	SPKQS2025300014	SPKQS250013
250 x 1100	SPKQS2025300015	SPKQS250014

GL105505—PM KIT	Qty
RIBBED SEAL WEDGE TYPE—250	1
SEAL 'U' SECTION BED SUPPORT—257.0 O/D	1
SEAL—SQUARE SECTION—14.5 O/D x 8.0 I/D x 3 mm THICK	2
'O' RING—BS 264 (190.09 I/D x 3.53 SECTION)	1
'O' RING—BS 268 (215.49 I/D x 3.53 SECTION)	1
SEALING BELLOW, FLOW TUBE	1
LOCKNUT M20 x 1.5P	1
THRUST WASHER	2
SEAL BED SUPPORT MOULDED PROFILE	1

Item	Qty	Description	Material	Critical																			
				Other																			
				SPKQS250012	SPKQS250013	SPKQS250014	SPKQS2025300013	SPKQS2025300014	SPKQS2025300015	SPKQS2025300016	SPKQS250015	SPKQS250016	SPKQS250017	SPKQS250019	SPKQS250021	SPKQS250023	SPKQS250026	SPKQS2025300017	SPKQS2025300019	SPKQS2025300020	SPKQS2025300021	SPKQSXX0003	SPKQSXX0004
1	1	ANTI-JET DISC, GL200-300 COLUMNS	BLACK POLYPROPYLENE																				
2	1	BED SUPPORT D x 7 x 1.7 THK	POROSTAR—DIN 1.4539								1	1	1										
3	2	CASTOR—SWIVEL—100—SINGLE BOLTHOLE	SEE SPEC																		2		
4	2	CASTOR—SWIVEL—BRAKED—100—SINGLE BOLTHOLE	SEE SPEC																		2		
5	4	CASTOR STUD THREADED M12 x M16 MALE, GL350/450 COLUMNS	SST 316L																		4		
6	1	COLUMN TUBE PROTECTOR (GSS & GAS 250)	NATURAL POLYPROPYLENE												1								
7	1	COLUMN TUBE WELD ASSY ST. STL S250 x 750	SST 316L—1.4404	1	1	1																	
8	1	FIXED CELL BACKING PLATE Ø430 x 20 mm, GL200-300 COLUMNS	SST 316L																			1	
9	1	FIXED CELL GS250 COLUMN	POLYPROPYLENE											1									
10	1	FLANGE TOP COLUMN TUBE, GL250 COLUMN	SST 316L FORGED														1						
11	1	FLOW TUBE ADAPTOR 1/4"	SST 316L														1						
12	1	HIGH PRESSURE PUMP, HAND OPERATED, 300 PSI	VARIOUS																			1	
13	1	LABEL LOGO QUICKSCALE®	See Drawing	1	1	1																	
14	1	LABEL MILLIPORE® FOR HAND PUMP	See Drawing																				1
15	2	LEG WELD ASSY—GL350/450 COLUMNS	SST 304																		2		
16	2	LOAD PILLAR THREADED M24	SST 316L				2	2	2														
17	2	LOAD PILLAR UPPER THREADED M20 MALE x M16 FEMALE, GL200-300 COLUMNS	SST 316L							2													
18	1	LOCK NUT M20 x 1.5	ACETAL																1				
19	1	MALE STUD PNEUMATIC FITTING, M5 MALE x 4 mm O/D TUBE PUSH-IN	SEE SPEC																			1	
20	4	NUT—HEX NYLOC—M12	SST 316																		4		
21	4	NUT—HEX THIN—M16	SST 316																		4		
22	1	PUMP BRACKET, HIGH PRESSURE	BLACK ACETAL																				1
23	1	PUMP SUPPORT BRACKET	BLACK ACETAL																	1			
24	1	RATING PLATE LABEL	See drawing																				
25	2	SCREW—PAN-HEAD-SLOTTED—M5 x 12 LG	SST 316																				2
26	4	SCREW—SET HEX HEAD—M12 x 50 LG	SST 316																		4	4	
27	2	SCREW—SET HEX HEAD—M16 x 90 LG	SST 316																				
28	1	SEAL—SQUARE SECTION—14.5 O/D x 8 I/D x 3 THICK	EPDM											1				1			1		
29	1	SEAL 'U' SECTION BED SUPPORT—Ø257.0	EPDM	1	1	1					1	1	1	1									
30	1	SUPPORT RING—TUBE STOP, GSS 250	BLACK PROPYLENE													1							
31	2	THRUST WASHER	BLACK ACETAL				2	2	2	2							2						
32	4	WASHER—PLAIN—M12	SST 316																		4		
33	2	WASHER—PLAIN—M5	SST 316																				2
34	4	WASHER—SPRING—M12	SST 316																		4	4	
35	2	WASHER—SPRING—M16	SST 316				2	2	2					2						2	2		

Kits for Bottom QuikScale® Column —Diameter 300 GA ACRYLIC



REF GA301511—GA301512—GA301513

NOTE 1		
Adjuster Bed Support		
10 µm	20 µm	30 µm
SPKQS300021	SPKQS300022	SPKQS300023

NOTE 2		
HEIGHT	LOAD PILLAR M24	COLUMN TUBE & SCALE LABEL
300 x 550	SPKQS2025300010	SPKQS300009
300 x 800	SPKQS2025300011	SPKQS300010
300 x 1100	SPKQS2025300012	SPKQS300011

GL105506—PM KIT	Qty
RIBBED SEAL WEDGE TYPE—300	1
SEAL 'U' SECTION BED SUPPORT—303.0 O/D	1
SEAL—SQUARE SECTION—14.5 O/D x 8.0 I/D x 3 mm THICK	2
'O' RING—BS 269 (221.84 I/D x 3.53 SECTION)	1
'O' RING—BS 274 (253.59 I/D x 3.53 SECTION)	1
SEALING BELLOW, FLOW TUBE	1
LOCKNUT M20 x 1.5P	1
THRUST WASHER	2
SEAL BED SUPPORT MOULDED PROFILE, GL300 COLUMNS	1

Item	Qty	Description	Material	Critical																						
				Other																						
				SPKQS300009	SPKQS300010	SPKQS300011	SPKQS2025300010	SPKQS2025300011	SPKQS2025300012	SPKQS2025300016	SPKQS300021	SPKQS300022	SPKQS300023	SPKQS300024	SPKQS300026	SPKQS300028	SPKQS300032	SPKQS300035	SPKQS300036	SPKQS2025300017	SPKQS2025300018	SPKQS2025300020	SPKQS2025300022	SPKQSXX0003	SPKQSXX0004	
1	1	ANTI-JET DISC, GL200-300 COLUMNS	BLACK POLYPROPYLENE																							
2	1	BED SUPPORT D x 7 x 1.7 THK	POROSTAR—DIN 1.4539								1	1	1													
3	2	CASTOR—SWIVEL—100—SINGLE BOLTHOLE	SEE SPEC																							
4	2	CASTOR—SWIVEL—BRAKED—100—SINGLE BOLTHOLE	SEE SPEC																							
5	4	CASTOR STUD THREADED M12 x M16 MALE, GL350/450 COLUMNS	SST 316L																							
6	1	COLUMN TUBE ACRYLIC—P300	ACRYLIC	1	1	1																				
7	1	COLUMN TUBE PROTECTOR (GSP & GAP 300)	NATURAL POLYPROPYLENE													1										
8	1	FIXED CELL GA300 COLUMN	POLYPROPYLENE											1												
9	1	FLANGE TOP COLUMN TUBE, GL300 COLUMN	SST 316L FORGED														1									
10	1	FLOW TUBE ADAPTOR 1/4"	SST 316L																		1					
11	4	HAND KNOB ASSEMBLY—M12 x 40 mm LONG	SEE PARTS LIST																					4		
12	1	HIGH PRESSURE PUMP, HAND OPERATED, 300 PSI	VARIOUS																						1	
13	1	LABEL LOGO QUICKSCALE®	See Drawing	1	1	1																				
14	1	LABEL MILLIPORE® FOR HAND PUMP	See Drawing																						1	
15	2	LEG WELD ASSY—GL350/450 COLUMNS	SST 304																						2	
16	2	LOAD PILLAR THREADED M24	SST 316L				2	2	2																	
17	2	LOAD PILLAR UPPER THREADED M20 MALE x M16 FEMALE, GL200-300 COLUMNS	SST 316L							2																
18	1	LOAD RING—GA300 COLUMN	SST 316L																			1				
19	1	LOCK NUT M20 x 1.5	ACETAL																			1				
20	1	MALE STUD PNEUMATIC FITTING, M5 MALE x 4 mm O/D TUBE PUSH-IN	SEE SPEC																						1	
21	4	NUT—HEX NYLOC—M12	SST 316																				4			
22	4	NUT—HEX THIN—M16	SST 316																				4			
23	1	PUMP BRACKET, HIGH PRESSURE	BLACK ACETAL																							1
24	1	PUMP SUPPORT BRACKET	BLACK ACETAL																					1		
25	1	RATING PLATE LABEL	See drawing																							
26	1	REINFORCEMENT RING, GL300 FIXED CELL	SST 316L												1											
27	1	SCALE LABEL GL300 COLUMN	See Drawing	1	1	1																				
28	4	SCREW—C/SUNK HEAD HEX SOCKET—M6 x 20 LG	SST 316												4	4										
29	2	SCREW—PAN-HEAD-SLOTTED—M5 x 12 LG	SST 316																							2
30	4	SCREW—SET HEX HEAD—M12 x 50 LG	SST 316																				4	4		
31	2	SCREW—SET HEX HEAD—M16 x 90 LG	SST 316																					2	2	
32	1	SEAL—SQUARE SECTION—14.5 O/D x 8 I/D x 3 THICK	EPDM						2	2	2															
33	1	SEAL 'U' SECTION BED SUPPORT—Ø303.0	EPDM	1	1	1						1	1	1	1											
34	1	SUPPORT RING—TUBE STOP, GAP 300	BLACK PROPYLENE																						1	
35	2	THRUST WASHER	BLACK ACETAL																							2
36	4	WASHER—PLAIN—M12	SST 316																						4	
37	2	WASHER—PLAIN—M5	SST 316																							2
38	4	WASHER—SPRING—M12	SST 316																						4	4
39	2	WASHER—SPRING—M16	SST 316																						2	2

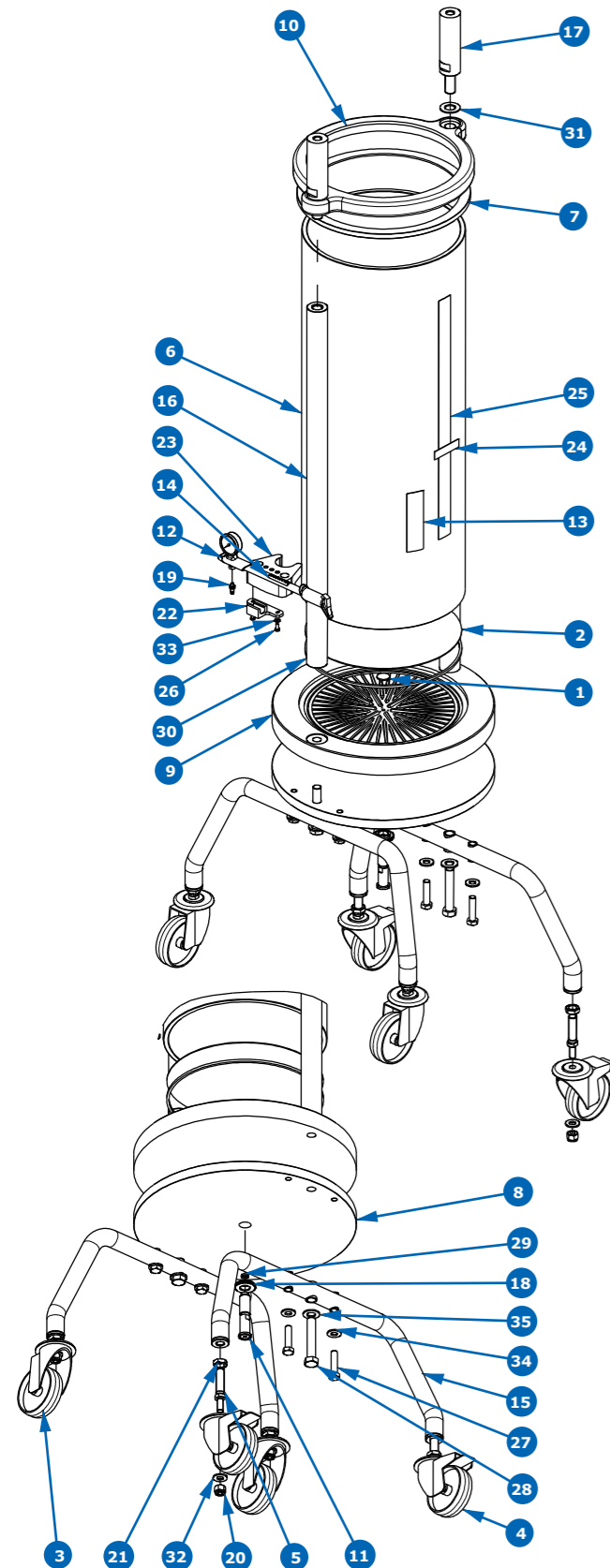
Kits for Bottom QuikScale® Column—Diameter 300 GS ACRYLIC

REF GS301511—GS301512—GS301513

NOTE 1		
Adjuster Bed Support		
10 µm	20 µm	30 µm
SPKQS300021	SPKQS300022	SPKQS300023

NOTE 2		
HEIGHT	LOAD PILLAR M24	COLUMN TUBE & SCALE LABEL
300 x 550	SPKQS2025300013	SPKQS300009
300 x 800	SPKQS2025300014	SPKQS300010
300 x 1100	SPKQS2025300015	SPKQS300011

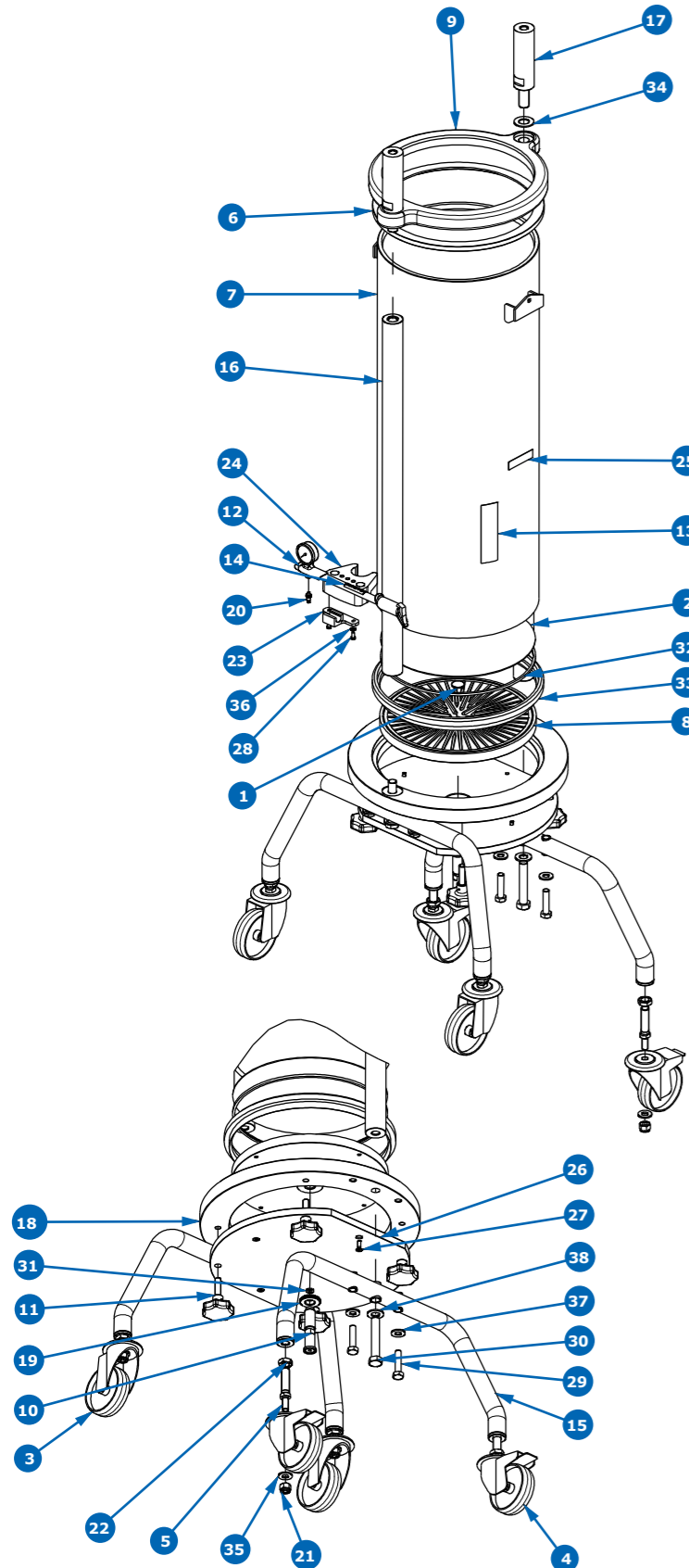
GL105506—PM KIT	Qty
RIBBED SEAL WEDGE TYPE—300	1
SEAL 'U' SECTION BED SUPPORT—303.0 O/D	1
SEAL—SQUARE SECTION—14.5 O/D x 8.0 I/D x 3 mm THICK	2
'O' RING—BS 269 (221.84 I/D x 3.53 SECTION)	1
'O' RING—BS 274 (253.59 I/D x 3.53 SECTION)	1
SEALING BELLOW, FLOW TUBE	1
LOCKNUT M20 x 1.5P	1
THRUST WASHER	2
SEAL BED SUPPORT MOULDED PROFILE, GL300 COLUMNS	1



Critical															
Other	X	X	X	X	X	X	X	X	X	X	X	X	X	X	X

Item	Qty	Description	Material	SPKQS300009	SPKQS300010	SPKQS300011	SPKQS2025300013	SPKQS2025300014	SPKQS2025300015	SPKQS2025300016	SPKQS300021	SPKQS300022	SPKQS300023	SPKQS300025	SPKQS300028	SPKQS300035	SPKQS2025300017	SPKQS2025300019	SPKQS2025300020	SPKQS2025300021	SPKQSXX0003	SPKQSXX0004	
1	1	ANTI-JET DISC, GL200-300 COLUMNS	BLACK POLYPROPYLENE																				
2	1	BED SUPPORT D x 7 x 1.7 THK	POROSTAR—DIN 1.4539								1	1	1										
3	2	CASTOR—SWIVEL—100—SINGLE BOLTHOLE	SEE SPEC																2				
4	2	CASTOR—SWIVEL—BRAKED—100—SINGLE BOLTHOLE	SEE SPEC																2				
5	4	CASTOR STUD THREADED M12 x M16 MALE, GL350/450 COLUMNS	SST 316L																4				
6	1	COLUMN TUBE ACRYLIC—P300	ACRYLIC	1	1	1																	
7	1	COLUMN TUBE PROTECTOR (GSP & GAP 300) NATURAL	POLYPROPYLENE												1								
8	1	FIXED CELL BACKING PLATE Ø430 x 20 mm, GL200-300 COLUMNS	SST 316L																	1			
9	1	FIXED CELL GS300 COLUMN	POLYPROPYLENE											1									
10	1	FLANGE TOP COLUMN TUBE, GL300 COLUMN	SST 316L FORGED													1							
11	1	FLOW TUBE ADAPTOR 1/4"	SST 316L															1					
12	1	HIGH PRESSURE PUMP, HAND OPERATED, 300 PSI	VARIOUS																			1	
13	1	LABEL LOGO QUICKSCALE®	See Drawing	1	1	1																	
14	1	LABEL MILLIPORE® FOR HAND PUMP	See Drawing																			1	
15	2	LEG WELD ASSY—GL350/450 COLUMNS	SST 304																2				
16	2	LOAD PILLAR THREADED M24	SST 316L				2	2	2														
17	2	LOAD PILLAR UPPER THREADED M20 MALE x M16 FEMALE, GL200-300 COLUMNS	SST 316L							2													
18	1	LOCK NUT M20 x 1.5	ACETAL															1					
19	1	MALE STUD PNEUMATIC FITTING, M5 MALE x 4 mm O/D TUBE PUSH-IN	SEE SPEC																			1	
20	4	NUT—HEX NYLOC—M12	SST 316																4				
21	4	NUT—HEX THIN—M16	SST 316																4				
22	1	PUMP BRACKET, HIGH PRESSURE	BLACK ACETAL																			1	
23	1	PUMP SUPPORT BRACKET	BLACK ACETAL																1				
24	1	RATING PLATE LABEL	See drawing																				
25	1	SCALE LABEL GL300 COLUMN	See Drawing	1	1	1																	
26	2	SCREW—PAN-HEAD-SLOTTED—M5 x 12 LG	SST 316																				2
27	4	SCREW—SET HEX HEAD—M12 x 50 LG	SST 316																4		4		
28	2	SCREW—SET HEX HEAD—M16 x 90 LG	SST 316																				
29	1	SEAL—SQUARE SECTION—14.5 O/D x 8 I/D x 3 THICK	EPDM															1		1			
30	1	SEAL 'U' SECTION BED SUPPORT—Ø303.0	EPDM	1	1	1					1	1	1										
31	2	THRUST WASHER	BLACK ACETAL				2	2	2	2						2							
32	4	WASHER—PLAIN—M12	SST 316																4				
33	2	WASHER—PLAIN—M5	SST 316																				2
34	4	WASHER—SPRING—M12	SST 316																4		4		
35	2	WASHER—SPRING—M16	SST 316				2	2	2											2			2

Kits for Bottom QuikScale® Column —Diameter 300 GA SST



REF GA303511—GA303512—GA303513

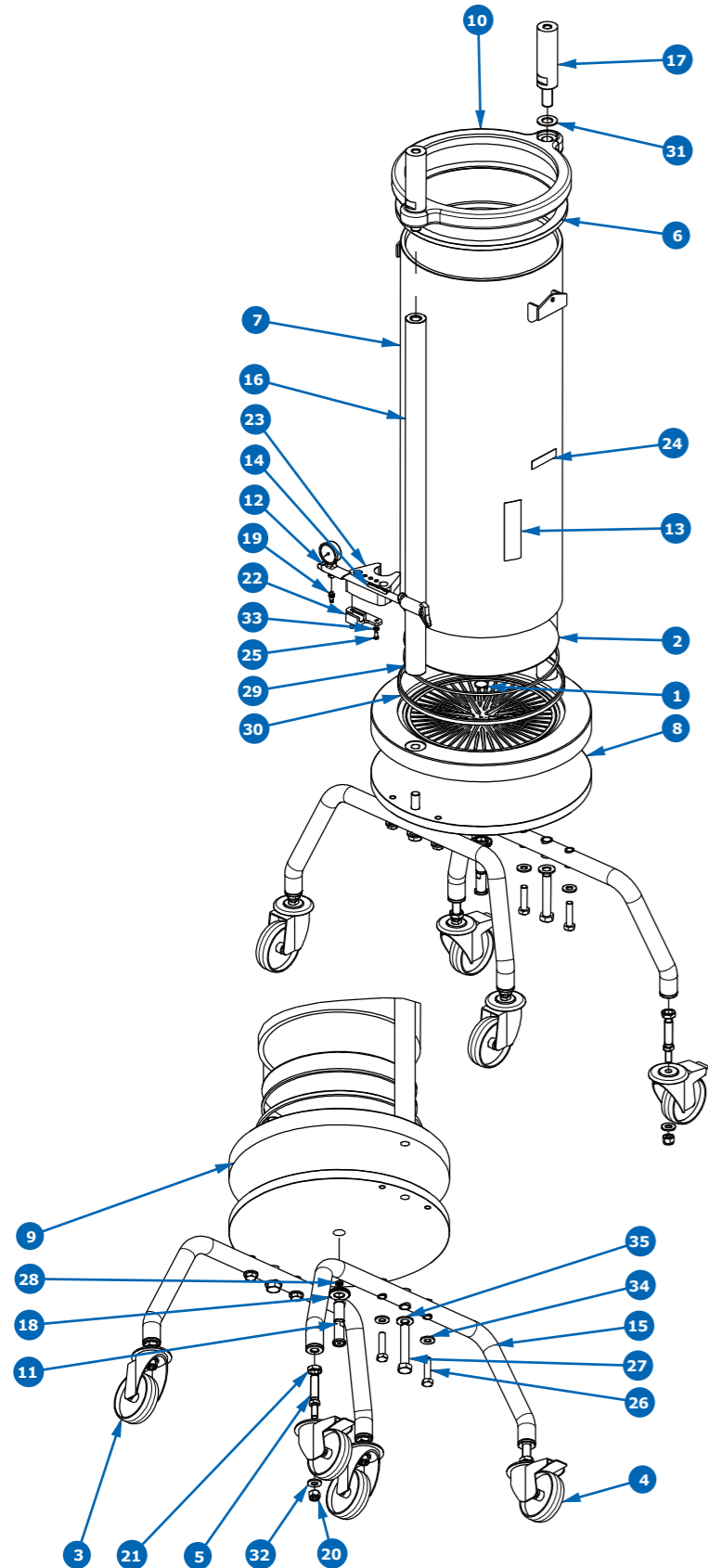
NOTE 1		
Adjuster Bed Support		
10 µm	20 µm	30 µm
SPKQS300021	SPKQS300022	SPKQS300023

NOTE 2		
HEIGHT	LOAD PILLAR M24	COLUMN TUBE & SCALE LABEL
300 x 550	SPKQS2025300010	SPKQS300012
300 x 800	SPKQS2025300011	SPKQS300013
300 x 1100	SPKQS2025300012	SPKQS300014

GL105506—PM KIT	Qty
RIBBED SEAL WEDGE TYPE—300	1
SEAL 'U' SECTION BED SUPPORT—303.0 O/D	1
SEAL—SQUARE SECTION—14.5 O/D x 8.0 I/D x 3 mm THICK	2
'O' RING—BS 269 (221.84 I/D x 3.53 SECTION)	1
'O' RING—BS 274 (253.59 I/D x 3.53 SECTION)	1
SEALING BELLOW, FLOW TUBE	1
LOCKNUT M20 x 1.5P	1
THRUST WASHER	2
SEAL BED SUPPORT MOULDED PROFILE, GL300 COLUMNS	1

Item	Qty	Description	Material	Critical																						
				Other																						
				SPKQS300012	SPKQS300013	SPKQS300014	SPKQS2025300010	SPKQS2025300011	SPKQS2025300012	SPKQS2025300016	SPKQS300021	SPKQS300022	SPKQS300023	SPKQS300024	SPKQS300026	SPKQS300027	SPKQS300031	SPKQS300035	SPKQS300036	SPKQS2025300017	SPKQS2025300018	SPKQS2025300020	SPKQS2025300022	SPKQSXX0003	SPKQSXX0004	
1	1	ANTI-JET DISC, GL200-300 COLUMNS	BLACK POLYPROPYLENE																							
2	1	BED SUPPORT D x 7 x 1.7 THK	POROSTAR—DIN 1.4539								1	1	1													
3	2	CASTOR—SWIVEL—100—SINGLE BOLTHOLE	SEE SPEC																							
4	2	CASTOR—SWIVEL—BRAKED—100—SINGLE BOLTHOLE	SEE SPEC																							
5	4	CASTOR STUD THREADED M12 x M16 MALE, GL350/450 COLUMNS	SST 316L																							
6	1	COLUMN TUBE PROTECTOR (GSS & GAS 300)	NATURAL POLYPROPYLENE																							
7	1	COLUMN TUBE WELD ASSY ST. STL S300 x 750 for drawing only	SST 316L—1.4404	1	1	1																				
8	1	FIXED CELL GA300 COLUMN	POLYPROPYLENE																							
9	1	FLANGE TOP COLUMN TUBE, GL300 COLUMN	SST 316L FORGED																							
10	1	FLOW TUBE ADAPTOR 1/4"	SST 316L																							
11	4	HAND KNOB ASSEMBLY—M12 x 40 mm LONG	SEE PARTS LIST																							
12	1	HIGH PRESSURE PUMP, HAND OPERATED, 300 PSI	VARIOUS																							
13	1	LABEL LOGO QUICKSCALE®	See Drawing	1	1	1																				
14	1	LABEL MILLIPORE® FOR HAND PUMP	See Drawing																							
15	2	LEG WELD ASSY—GL350/450 COLUMNS	SST 304																							
16	2	LOAD PILLAR THREADED M24	SST 316L				2	2	2																	
17	2	LOAD PILLAR UPPER THREADED M20 MALE x M16 FEMALE, GL200-300 COLUMNS	SST 316L							2																
18	1	LOAD RING—GA300 COLUMN	SST 316L																							
19	1	LOCK NUT M20 x 1.5	ACETAL																							
20	1	MALE STUD PNEUMATIC FITTING, M5 MALE x 4 mm O/D TUBE PUSH-IN	SEE SPEC																							
21	4	NUT—HEX NYLOC—M12	SST 316																							
22	4	NUT—HEX THIN—M16	SST 316																							
23	1	PUMP BRACKET, HIGH PRESSURE	BLACK ACETAL																							
24	1	PUMP SUPPORT BRACKET	BLACK ACETAL																							
25	1	RATING PLATE LABEL	See drawing																							
26	1	REINFORCEMENT RING, GL300 FIXED CELL	SST 316L																							
27	4	SCREW—C/SUNK HEAD HEX SOCKET—M6 x 20 LG	SST 316																							
28	2	SCREW—PAN-HEAD-SLOTTED—M5 x 12 LG	SST 316																							
29	4	SCREW—SET HEX HEAD—M12 x 50 LG	SST 316																							
30	2	SCREW—SET HEX HEAD—M16 x 90 LG	SST 316																							
31	1	SEAL—SQUARE SECTION—14.5 O/D x 8 I/D x 3	THICK EPDM																							
32	1	SEAL 'U' SECTION BED SUPPORT—Ø303.0	EPDM	1	1	1																				
33	1	SUPPORT RING—TUBE STOP, GAS 300	BLACK PROPYLENE																							
34	2	THRUST WASHER	BLACK ACETAL																							
35	4	WASHER—PLAIN—M12	SST 316																							
36	2	WASHER—PLAIN—M5	SST 316																							
37	4	WASHER—SPRING—M12	SST 316																							
38	2	WASHER—SPRING—M16	SST 316																							

Kits for Bottom QuikScale® Column—Diameter 300 GS SST



REF GS303511—GS303512—GS303513

NOTE 1		
Adjuster Bed Support		
10 µm	20 µm	30 µm
SPKQS300021	SPKQS300022	SPKQS300023

NOTE 2		
HEIGHT	LOAD PILLAR M24	COLUMN TUBE & SCALE LABEL
300 x 550	SPKQS2025300013	SPKQS300012
300 x 800	SPKQS2025300014	SPKQS300013
300 x 1100	SPKQS2025300015	SPKQS300014

GL105506—PM KIT	Qty
RIBBED SEAL WEDGE TYPE—300	1
SEAL 'U' SECTION BED SUPPORT—303.0 O/D	1
SEAL—SQUARE SECTION—14.5 O/D x 8.0 I/D x 3 mm THICK	2
'O' RING—BS 269 (221.84 I/D x 3.53 SECTION)	1
'O' RING—BS 274 (253.59 I/D x 3.53 SECTION)	1
SEALING BELLOW, FLOW TUBE	1
LOCKNUT M20 x 1.5P	1
THRUST WASHER	2
SEAL BED SUPPORT MOULDED PROFILE, GL300 COLUMNS	1

Item	Qty	Description	Material	Critical																				
				Other																				
				SPKQS300012	SPKQS300013	SPKQS300014	SPKQS2025300013	SPKQS2025300014	SPKQS2025300015	SPKQS2025300016	SPKQS300021	SPKQS300022	SPKQS300023	SPKQS300025	SPKQS300027	SPKQS300030	SPKQS300035	SPKQS2025300017	SPKQS2025300019	SPKQS2025300020	SPKQS2025300021	SPKQSXX0003	SPKQSXX0004	
1	1	ANTI-JET DISC, GL200-300 COLUMNS	BLACK POLYPROPYLENE																					
2	1	BED SUPPORT D x 7 x 1.7 THK	POROSTAR—DIN 1.4539								1	1	1											
3	2	CASTOR—SWIVEL—100—SINGLE BOLTHOLE	SEE SPEC																				2	
4	2	CASTOR—SWIVEL—BRAKED—100—SINGLE BOLTHOLE	SEE SPEC																				2	
5	4	CASTOR STUD THREADED M12 x M16 MALE, GL350/450 COLUMNS	SST 316L																				4	
6	1	COLUMN TUBE PROTECTOR (GSS & GAS 300)	NATURAL POLYPROPYLENE												1									
7	1	COLUMN TUBE WELD ASSY ST. STL S300 x 750 for drawing only	SST 316L—1.4404	1	1	1																		
8	1	FIXED CELL BACKING PLATE Ø430 x 20 mm, GL200-300 COLUMNS	SST 316L																				1	
9	1	FIXED CELL GS300 COLUMN	POLYPROPYLENE											1										
10	1	FLANGE TOP COLUMN TUBE, GL300 COLUMN	SST 316L FORGED													1								
11	1	FLOW TUBE ADAPTOR 1/4"	SST 316L																1					
12	1	HIGH PRESSURE PUMP, HAND OPERATED, 300 PSI	VARIOUS																				1	
13	1	LABEL LOGO QUICKSCALE®	See Drawing	1	1	1																	1	
14	1	LABEL MILLIPORE® FOR HAND PUMP	See Drawing																				1	
15	2	LEG WELD ASSY—GL350/450 COLUMNS	SST 304																				2	
16	2	LOAD PILLAR THREADED M24	SST 316L				2	2	2															
17	2	LOAD PILLAR UPPER THREADED M20 MALE x M16 FEMALE, GL200-300 COLUMNS	SST 316L							2														
18	1	LOCK NUT M20 x 1.5	ACETAL																				1	
19	1	MALE STUD PNEUMATIC FITTING, M5 MALE x 4 mm O/D TUBE PUSH-IN	SEE SPEC																				1	
20	4	NUT—HEX NYLOC—M12	SST 316																				4	
21	4	NUT—HEX THIN—M16	SST 316																				4	
22	1	PUMP BRACKET, HIGH PRESSURE	BLACK ACETAL																				1	
23	1	PUMP SUPPORT BRACKET	BLACK ACETAL																				1	
24	1	RATING PLATE LABEL	See drawing																					
25	2	SCREW—PAN-HEAD-SLOTTED—M5 x 12 LG	SST 316																				2	
26	4	SCREW—SET HEX HEAD—M12 x 50 LG	SST 316																				4	4
27	2	SCREW—SET HEX HEAD—M16 x 90 LG	SST 316																					
28	1	SEAL—SQUARE SECTION—14.5 O/D x 8 I/D x 3 THICK	EPDM																1			1		
29	1	SEAL 'U' SECTION BED SUPPORT—Ø303.0	EPDM	1	1	1					1	1	1											
30	1	SUPPORT RING—TUBE STOP, GSS 300	BLACK PROPYLENE												1									
31	2	THRUST WASHER	BLACK ACETAL				2	2	2	2						2								
32	4	WASHER—PLAIN—M12	SST 316																				4	
33	2	WASHER—PLAIN—M5	SST 316																					2
34	4	WASHER—SPRING—M12	SST 316																				4	4
35	2	WASHER—SPRING—M16	SST 316				2	2	2														2	2

Technical Assistance

For more information, please visit [MerckMillipore.com/Systems-Services](https://www.MerckMillipore.com/Systems-Services) for up-to-date worldwide contact information

