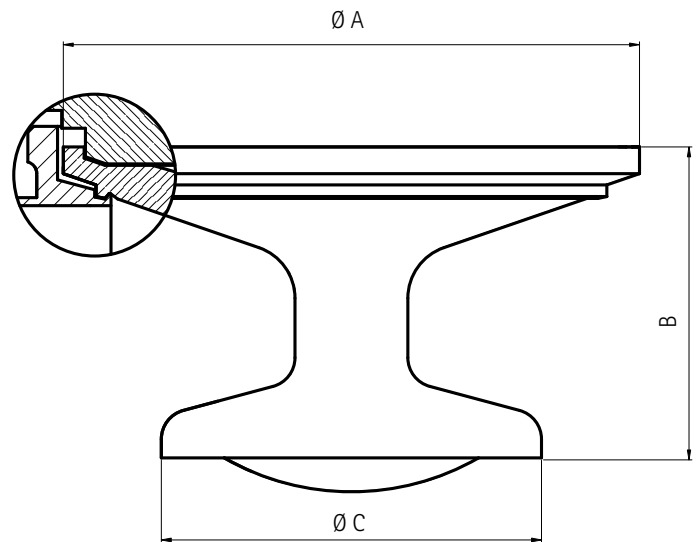


Specification Sheet

# NovAseptic® Valve, DIAPHRAGM, EPDM

## Product Description

The NovAseptic® Valve is specifically designed for aseptic applications and complies with the most stringent cleanability and sterilization requirements. The focus on aseptic design is a significant feature for all valves. The NovAseptic® Valve is designed for minimum dead leg, complete drainability and high chemical resistance.



## Catalogue Number Structure

NA#	/	22
Diaphragm Model		22 = EPDM Diaphragm

## Nominal Dimensions in mm (in.)

Catalogue Number	Ø A	B	Ø C	Compatible Valve NA#	Compatible Valve NU#
NA12/22	34.0 (1.339)	16.0 (0.630)	18.0 (0.709)	NA12	NU050
NA18/22	46.5 (1.831)	23.0 (0.906)	25.0 (0.984)	NA18	NU075
NA25/22	62.0 (2.441)	29.3 (1.154)	34.0 (1.339)	NA25	NU100
NA38/22	75.0 (2.953)	42.4 (1.669)	48.3 (1.902)	NA38	NU150
NA51/22	97.0 (3.819)	52.4 (2.063)	64.0 (2.520)	NA51	NU200
NA76/22	121.4 (4.779)	78.2 (3.079)	88.0 (3.465)	NA76	NU300

## Specifications

Net Weight (approximate)						
Diaphragm	NA12	NA18	NA25	NA38	NA51	NA76
Weight kg (lb)	0.01 (0.022)	0.02 (0.044)	0.05 (0.11)	0.10 (0.220)	0.16 (0.353)	0.44 (0.970)

Design Temperature	
Short Term Use*	
Max (Dry Heat)	140 °C (284 °F) except for NA76, 128 °C (262 °F)
Max (Steam)	140 °C (284 °F) except for NA76, 128 °C (262 °F)
Min	-30 °C (-22 °F)

\* Note: <1 h continuously.

Additional Information	
Material	EPDM, ethylene propylene diene monomer rubber. The Diaphragm is manufactured from 100% EPDM
Surface Roughness	Smooth (hydrophobic)
Design Pressure	-1 to 6 bar(g) (-14.5 to 87.0 psi(g))
Labeling	Each Diaphragm is labeled for full LOT traceability according to our QA routines
Packaging	The Diaphragm is packaged in a closed box
Quality Control	Our Quality Assurance System guarantees the control and traceability of the product
Regulatory	All Diaphragms are manufactured with materials in compliance with FDA regulations §177.2600 and supplied with statement. The Diaphragm meets USP Biological Tests for Plastics, Class VI

## Technical Assistance

For more information, please visit [SigmaAldrich.com](https://www.SigmaAldrich.com)  
for up-to-date worldwide contact information

