

Spare parts

# Mobius® Multi Column Capture System

1. Spare parts list . . . . .	3
2. Overview . . . . .	4
3. Power plate . . . . .	5
4. Back plate. . . . .	6
5. Cabinet plate . . . . .	7
6. Door plate. . . . .	8
7. Plate . . . . .	9



The Life Science business of Merck operates as MilliporeSigma in the U.S. and Canada.

# Spare Parts

To help you select and manage the spare parts required for your system, our experts have performed a risk assessment to determine which parts to keep in stock.

The risk assessment is based on our experience; each customer must perform their individual risk assessment for their process, to check alignment with our strategy and review the stock requirements accordingly.

As a result of this risk assessment, we defined 3 categories of spare parts:

Type of parts	Description	Stock recommendation
Preventive maintenance parts	These parts are subject to wear and tear and we recommend replacing them on a regular basis. Under average usage conditions, these parts should be replaced at least once per year. A risk assessment based on the specific system usage and production conditions may result in a need to replace some or all of these parts more frequently. Not replacing wear and tear parts as recommended can impact system functionality and may result in system shutdown.	1 part per unit
Critical parts	These parts have been identified as most critical to avoiding system downtime and are recommended to be kept in stock for immediate availability.	1 part per unit
All other parts	All other individual parts.	Risk-based customer decision

Based on our risk analysis, preventive maintenance and critical spare parts are essential to keep your equipment running. We recommend keeping preventive maintenance and critical spare parts in stock.

For additional information, please visit: [SigmaAldrich.com](https://www.sigmaaldrich.com)

## Ordering information for Preventive Maintenance Flexware® Assemblies Kit

Catalogue number	Quantity
PMFXWKITMCC	
Pump and flowmeter assembly	2
Bubble trap assembly	1
Main assembly with SUC	1
Inlet assembly	4
Pressure sensor assembly	1

# Spare Parts List

Number	Catalogue Number	Description	Preventive Maintenance (PM*), Critical**, Other	Field Service Required for Installation or Set-Up***	Frequency
#1	SPKGENELC014	Filter cartridge Festo MS6-LFP-E	PM	Yes	Every 12 months
#2	SPKGEN002	Ebox fan filter	PM	No	Every 12 months
#3	SPKGENPMP005	Pump QF150-5 EZ shaft bearing cap unit	PM	Yes	Every 1000h or at least once a year
#4	SPKMBSMTSEN001	UV lamp	PM	No	Every 12 months
#5	SPKGENELC015	Phoenix 24 V 10 A Power supply	Critical	No	As required
#6	SPKGENELC016	Phoenix 24 V 20 A Power supply	Critical	No	As required
#7	SPKMBSMTBASE025	PLC	Critical	Yes	As required
#8	SPKMCCAUT001	MCC CUBE67 BUS node	Critical	Yes	As required
#9	SPKMCCAUT002	MCC CUBE20 BUS node	Critical	Yes	As required
#10	SPKMCCAUT003	MCC IP20 I/O modules replacement kit	Critical	Yes	As required
#11	SPKMCCAUT004	MCC IP67 I/O modules replacement kit	Critical	Yes	As required
#12	SPKMBSMTBASE041	PLC POWER SUPPLY	Critical	No	As required
#13	SPKMCCAUT005	MCC HMI	Critical	Yes	As required
#14	please contact us	Switch + carte	Critical	Yes	As required
#15	SPKGEN003	Ebox fan	Critical	Yes	As required
#16	SPKMCCINS001	MCC level sensor kit	Critical	Yes	As required
17	SPKGENINS007	Levitronix LeviFlow 3 m extension cable	Critical	Yes	As required
18	SPKGENINS008	Levitronix LeviFlow 0.1 m intcn cable	Critical	No	As required
#19	SPKMCCINS002	MCC Levitronix Leviflow converter	Critical	No	As required
#20	SPKGENINS010	Pendotech PT-75 transmitter	Critical	No	As required
#21	SPKMCCPNE001	MCC Valves terminal VTUG1	Critical	Yes	As required
#22	SPKMCCPNE002	MCC Valves terminal VTUG2	Critical	Yes	As required
#23	SPKGENVLV001	ACRO 934 NC valve	Critical	Yes	As required
#24	SPKGENVLV002	ACRO 934 Proportional valve	Critical	Yes	As required
#25	SPKMCCVLV001	MCC ACRO Proportional valve controller	Critical	Yes	As required
#26	SPKMBSMTTMR001	Converter C8480 kit	Critical	Yes	As required
27	SPKMCCINS003	MCC Optek instrumentation cable kit	Critical	No	As required
#28	SPKCBS000INS025	Single beam 280 nm UV sensor	Critical	No	As required
#29	SPKCBS000INS018	Dual beam 254-280nm UV sensor	Critical	No	As required
#30	SPKGENINS011	Dual beam 280-308 nm UV sensor	Critical	No	As required
#31	Please contact us	ANYBUS Modbus gateway	Critical	Yes	As required
#32	SPKGENINS012	Hamilton EasyFerm Bio HB Arc 120 VP6 pH1	Critical	No	As required
#33	SPKGENINS013	Hamilton EasyFerm Bio HB Arc 120 VP6 pH2	Critical	No	As required
#34	SPKGENINS014	Hamilton EasyFerm Bio HB Arc 120 VP6 pH3	Critical	No	As required
#35	SPKGENINS015	Hamilton Arc Module SU pH1	Critical	No	As required
#36	SPKGENINS016	Hamilton Arc Module SU pH2	Critical	No	As required
#37	SPKGENINS017	Hamilton Arc Module SU pH3	Critical	No	As required
#38	SPKMCCCEL001	MCC lighting M	Other	No	As required
39	SPKMBPWCCCH	Power cord CH	Other	No	As required
40	SPKMBPWCEU	Power cord EU	Other	No	As required
41	SPKMBPWJJP	Power cord JP	Other	No	As required
42	SPKMBPWCKR	Power cord KR	Other	No	As required
43	SPKMBPWCNA	Power cord NA	Other	No	As required
44	SPKMBPWCUK	Power cord UK	Other	No	As required
45	SPKMBPWCCN	Power cord CN	Other	No	As required
#46	SPKGENELC017	PR pressure transmitter w/ display	Critical	Yes	As required
#47	SPKGENVLV003	GEMU 1G1 actuator for SU B diaphragm	Critical	Yes	As required
#48	SPKGENVLV004	ASCO 3-way pinch valve 1/2 in. ID	Critical	Yes	As required
#49	SPKGENVLV005	ASCO protective cap qty 20	Critical	No	As required

# Means that the part is illustrated

\* Preventive Maintenance (PM) parts are subject to wear and tear. Under average usage conditions, they should be replaced at least once per year. A risk assessment based on the specific system usage and production conditions may indicate replacement of some or all of these parts more frequently.

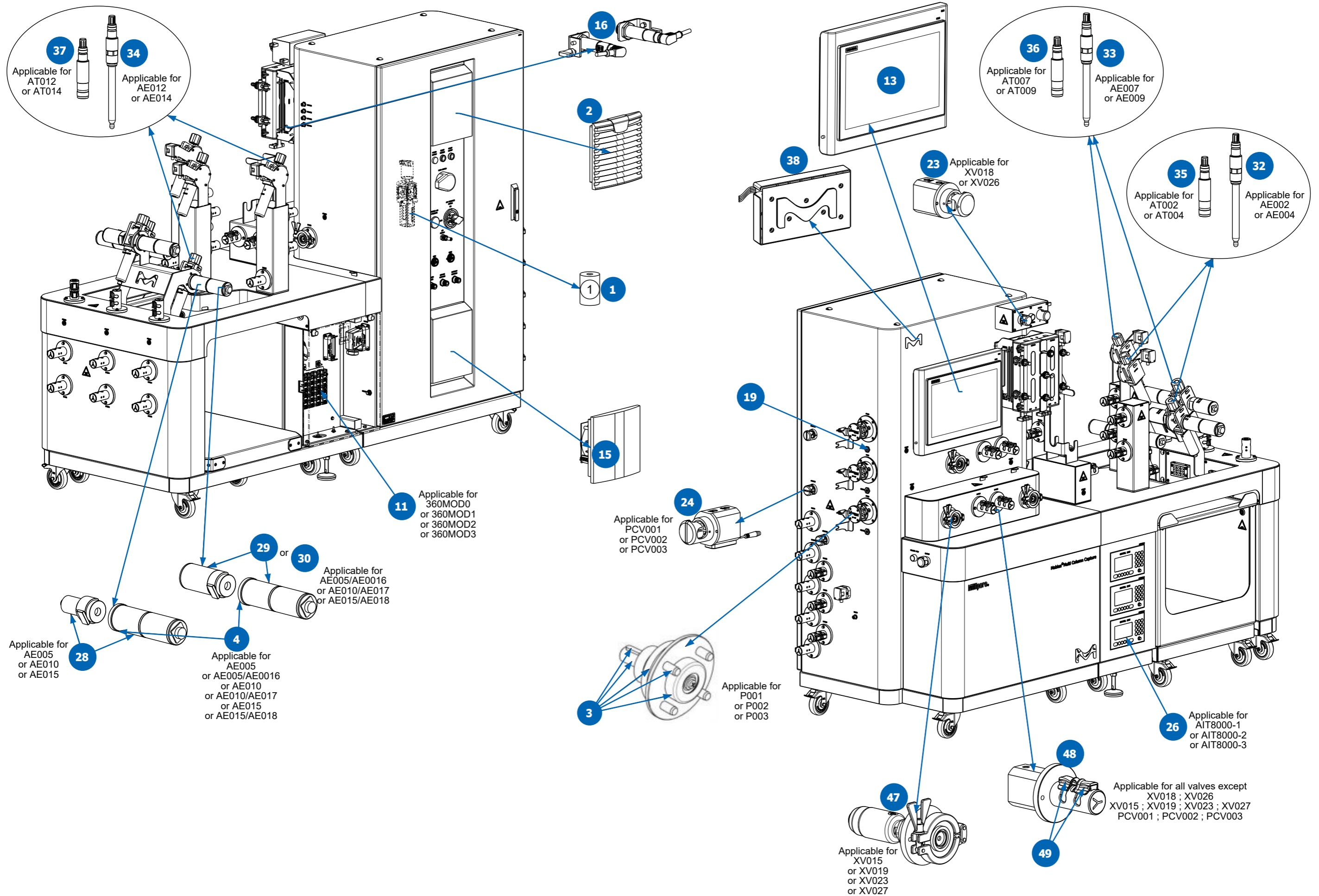
\*\* Critical parts have been identified as most critical to avoiding system downtime and are recommended to be kept in stock for immediate availability.

\*\*\* Replacement and/or setup need to be made by a trained technician

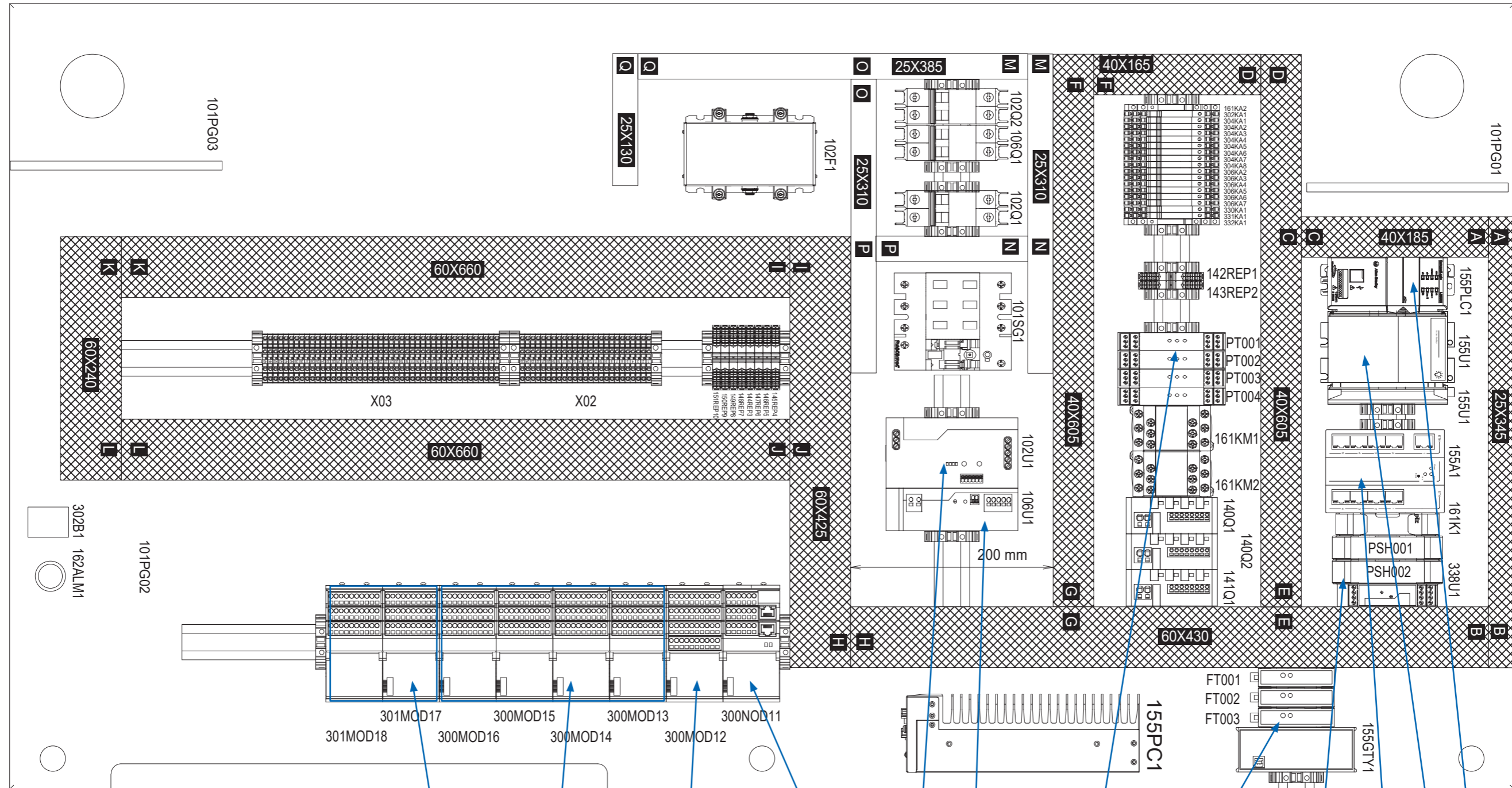
For both PM and critical parts, stock recommendation is 1 part per unit.



# Overview



# MB01 Power plate



10

Applicable for 301MOD17 or 301MOD12

10

Applicable for 300MOD13 or 300MOD14 or 300MOD15 or 300MOD16 or 369MOD23 or 369MOD24 or 369MOD25 or 369MOD26 or 370MOD32 or 370MOD33 or 370MOD34

10

Applicable for 300MOD12 or 369MOD22

9

Applicable for 300NOD11 or 369NOD21 or 370NOD31

6

5

20

Applicable for PT001 or PT002 or PT003 or PT004 or PT005 or PT006 or PT007 or PT008

19

Applicable for FT001 or FT002 or FT003

46

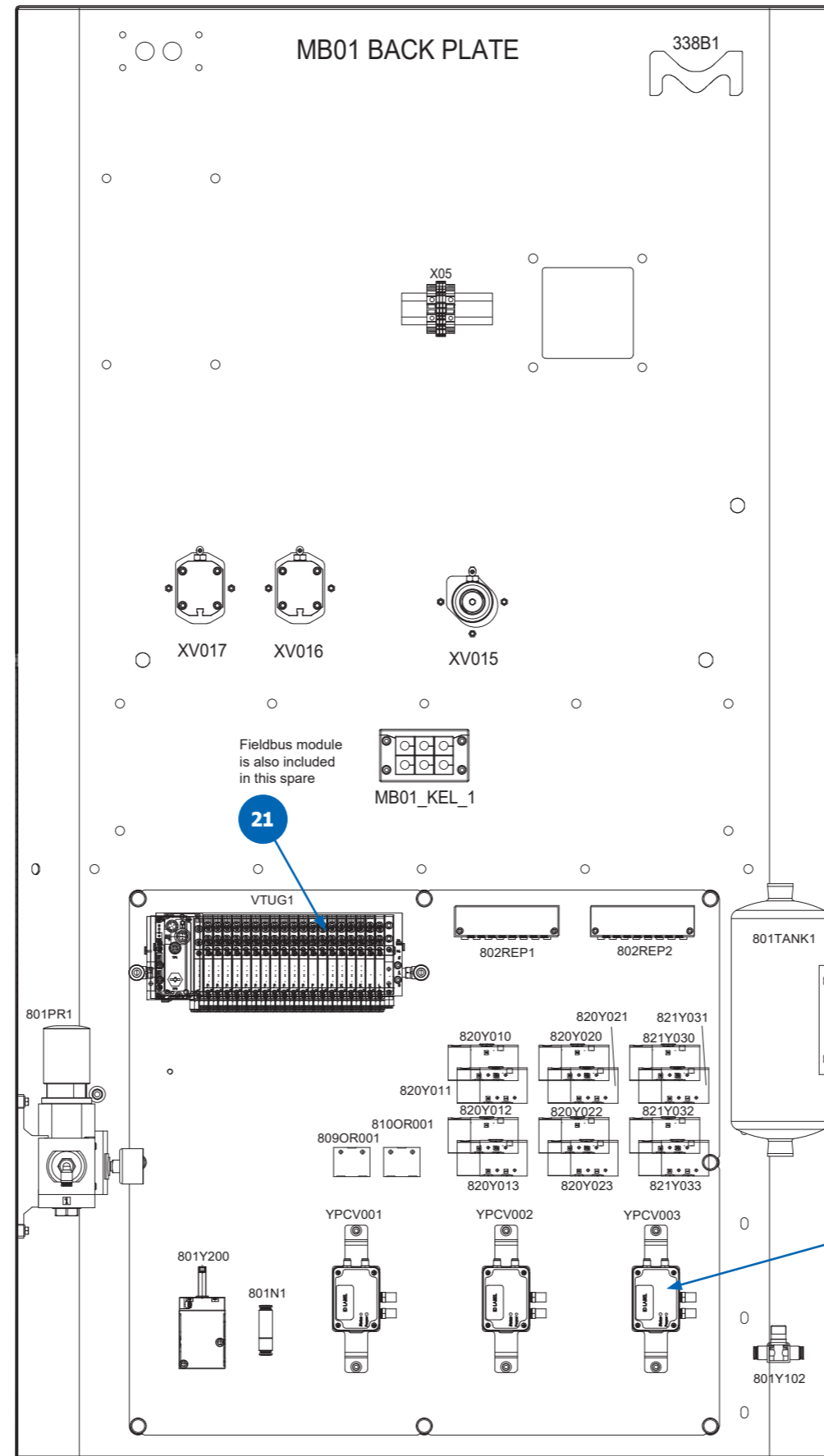
Applicable for PSH001 or PSH002

14

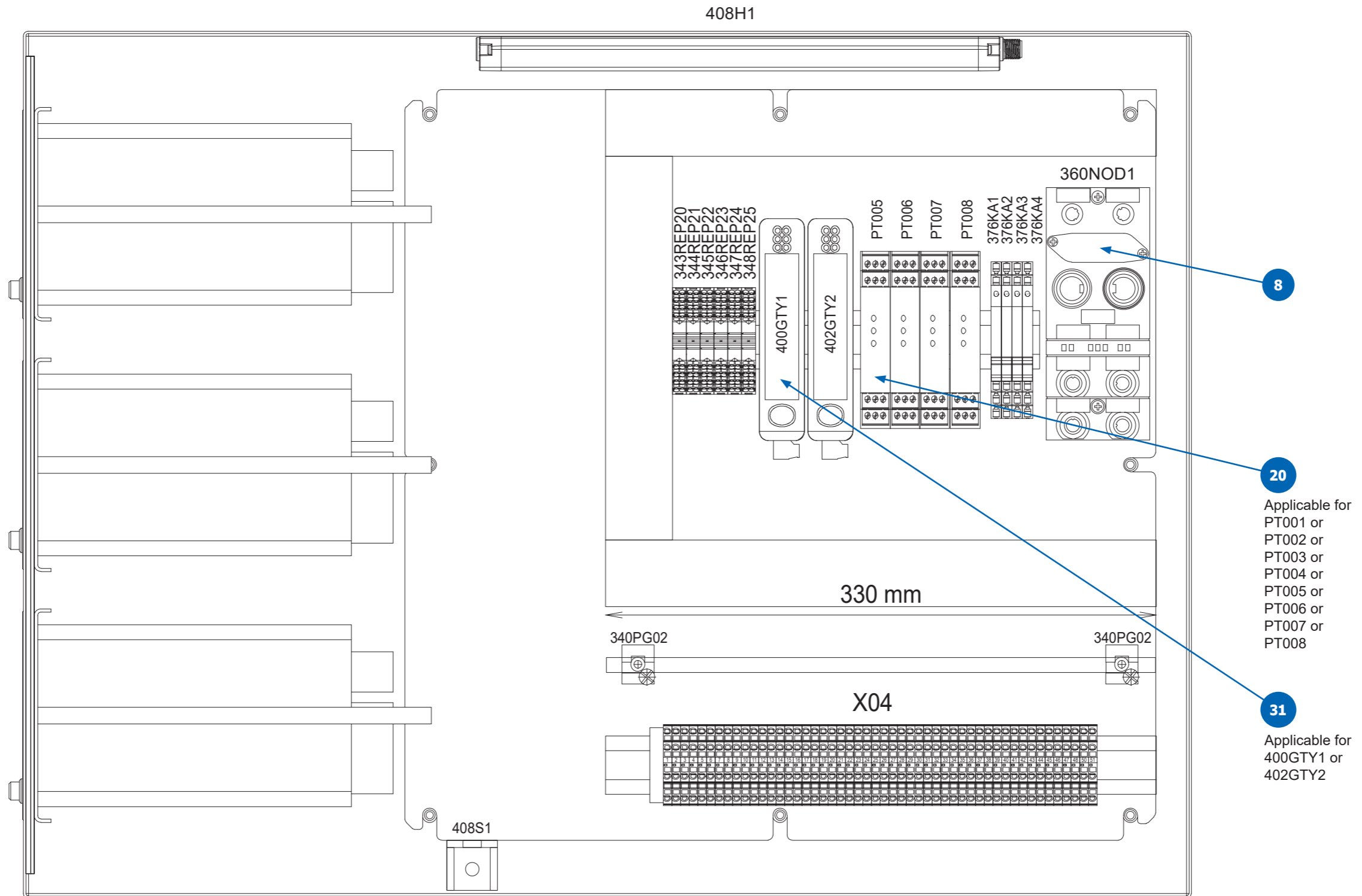
12

7

# MB01 Back plate



# IB02 Cabinet Plate



# IB02 Door Plate

9

Applicable for  
300NOD11 or  
369NOD21 or  
370NOD31

10

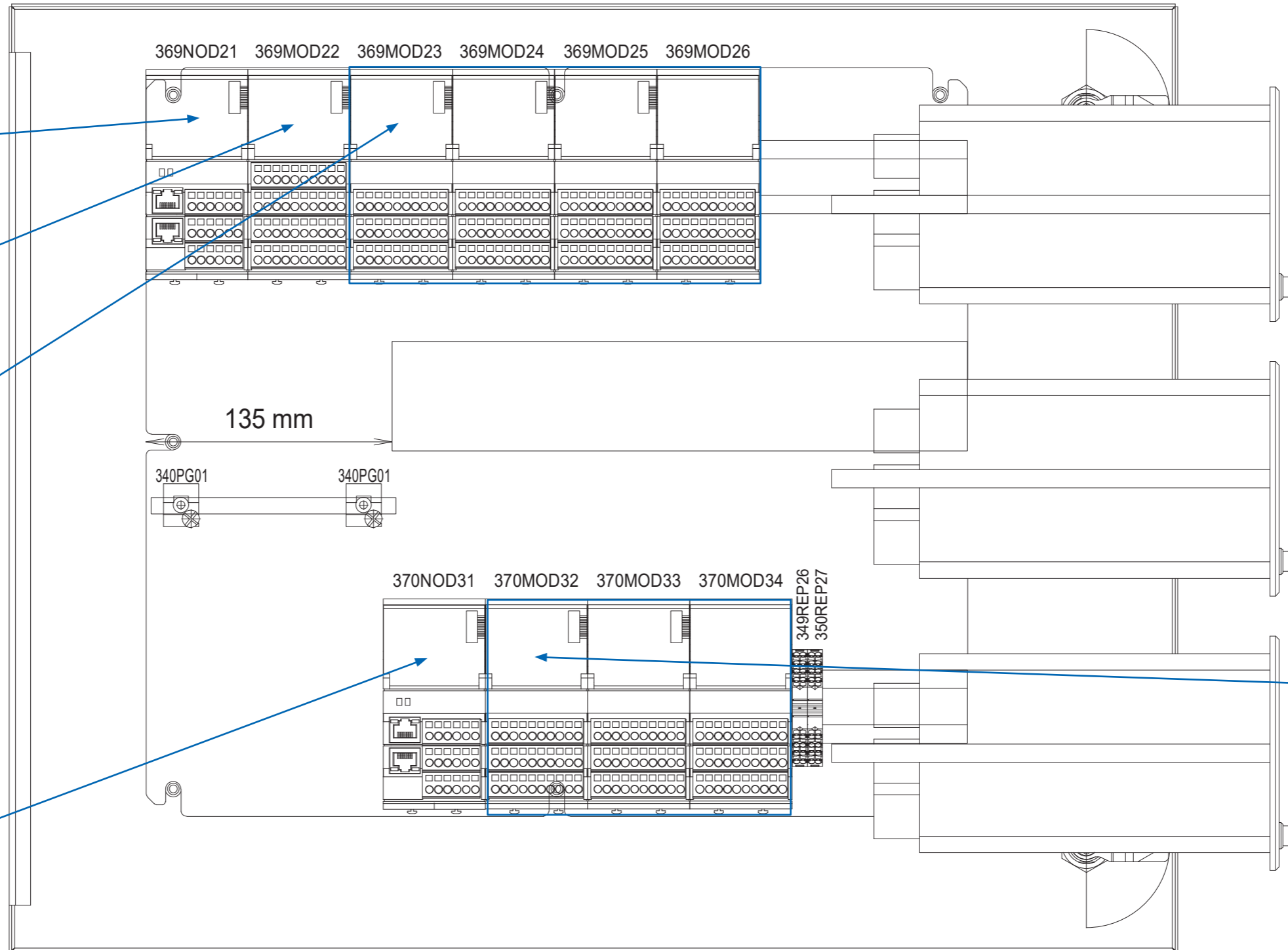
Applicable for  
300MOD12 or  
369MOD22

10

Applicable for  
300MOD13 or  
300MOD14 or  
300MOD15 or  
300MOD16 or  
369MOD23 or  
369MOD24 or  
369MOD25 or  
369MOD26 or  
370MOD32 or  
370MOD33 or  
370MOD34

9

Applicable for  
300NOD11 or  
369NOD21 or  
370NOD31

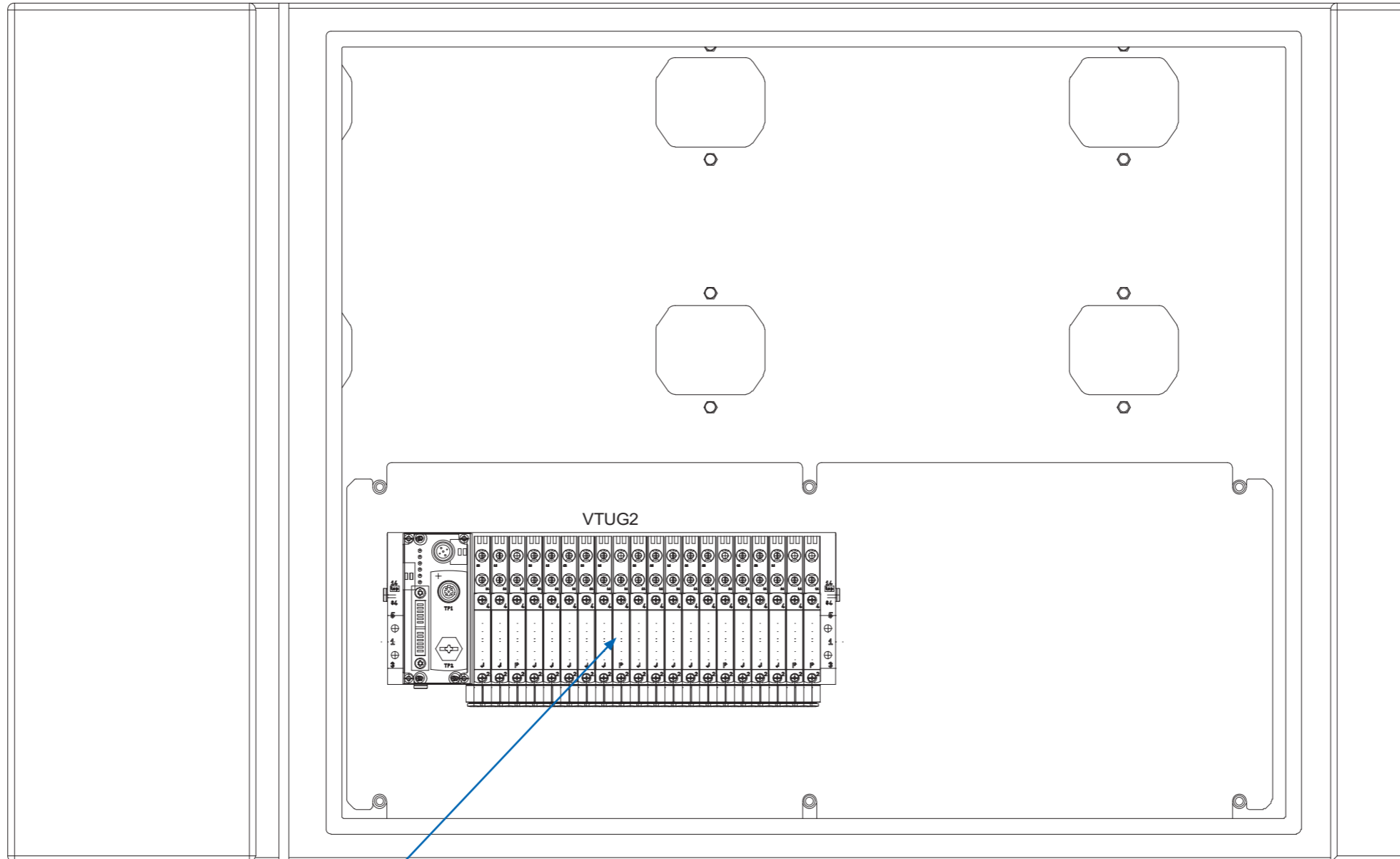


10

Applicable for  
300MOD13 or  
300MOD14 or  
300MOD15 or  
300MOD16 or  
369MOD23 or  
369MOD24 or  
369MOD25 or  
369MOD26 or  
370MOD32 or  
370MOD33 or  
370MOD34



# IB03 Cabinet Plate



22

Fieldbus module is also included in this spare

For more information on services and spare parts,  
please visit [SigmaAldrich.com/services-plans](https://SigmaAldrich.com/services-plans)

