

Spare Parts List

**Cogent® Lab Systems
and Accessories**

Lab 150, Lab 800, and Lab 6000



The life science business
of Merck operates as
MilliporeSigma in the
US and Canada.

Spare Parts

Maintain Optimal Performance and Minimize Downtime

To help you select and manage the spare parts required for your system, our experts have performed a risk assessment to determine which parts to keep in stock.

The risk assessment is based on our experience; each customer must perform their individual risk assessment for their process, to check the alignment with our strategy and review the stock requirements accordingly.

As a result of this risk assessment, we defined 3 categories of spare parts:

Type of parts	Description	Stock recommendation
Preventive maintenance parts	These are parts that are subject to wear and tear and that we recommend replacing on a regular basis. Under average usage conditions, these parts should be replaced at least once per year. A risk assessment based on the specific system usage and production conditions may result in a requirement to replace some or all of these parts more frequently. Not replacing wear and tear parts as recommended can impact system functionality and may result in system shutdown.	1 part per unit
Critical parts	These parts have been identified as most critical to avoiding system downtime and are recommended to be kept in stock for immediate availability.	1 part per unit
All other parts	All other individual parts.	Risk-based customer decision

Based on our risk analysis, preventive maintenance and critical spare parts are essential to keep your equipment running. We recommend keeping preventive maintenance and critical spare parts in stock.

For additional information, please visit:
[MerckMillipore.com/Systems-Services](https://www.merckmillipore.com/Systems-Services)

SPKBTP150PMK001

Cogent® Lab 150 Prev. Maint. Kit	Qty
mounted pump on bracket	1
KNF PUMP SUPPORT GASKET	1
EPDM O-RING 76 X 3	1
TORX PAN HEAD SCREW M4 x 12	2
Gasket TC 3/4"-OD 3/4" EPDM without lips	3
CAP - TC 3/4"	1
MALE LUER TO FEMALE LUER THREAD STYLE COUPLER	1
FINGER SNAP LUER LOCK RING	4
Female Luer Thread Style Cap	3

SPKBTP800PMK001

Cogent® Lab 800 Prev. Maint. Kit	Qty
EPDM O-RING Ø139,29X3,53	1
FINGER SNAP LUER LOCK RING	2
Male Luer Lock to Male Luer Lock Connector with One Rotating Collar	1
Gasket TC 3/4"-OD 3/4" EPDM without lips	4
Gasket TC 3/4"-OD 1/2" EPDM without lips	7
ELBOW, 90°, 6 mm ID, TC/TC	1
Gasket TC 3/4"-IDØ7 EPDM without lips	5
Gasket TC 3/4"-IDØ3.8 EPDM without lips	2
Gasket TC 3/4"-OD 1/4" EPDM without lips	4
Quattroflow QF150S elastomers kit	1
Gemu diaphragm/plug kit	1

SPKBTP6KPMK001

Cogent® Lab 6000 Prev. Maint. Kit	Qty
Gasket TC 3/4"-OD 3/4" EPDM without lips	7
Gasket TC 3/4"-OD 1/2" EPDM without lips	15
ELBOW, 90°, 6 mm ID, TC/TC	1
Gasket TC 3/4"-IDØ7 EPDM without lips	5
ELBOW, 90°, 10 mm ID, TC/TC	2
Gasket TC 3/4"-IDØ11 EPDM without lips	3
EPDM O-RING Ø190,09X3,53	1
Gasket TC 3/4"-IDØ13 EPDM without lips	1
Gasket TC 3/4"-OD 1/4" EPDM without lips	3
Quattroflow QF1200S elastomers kit	1
Gemu diaphragm kit	2
Gemu diaphragm/plug kit	1

Spare part list

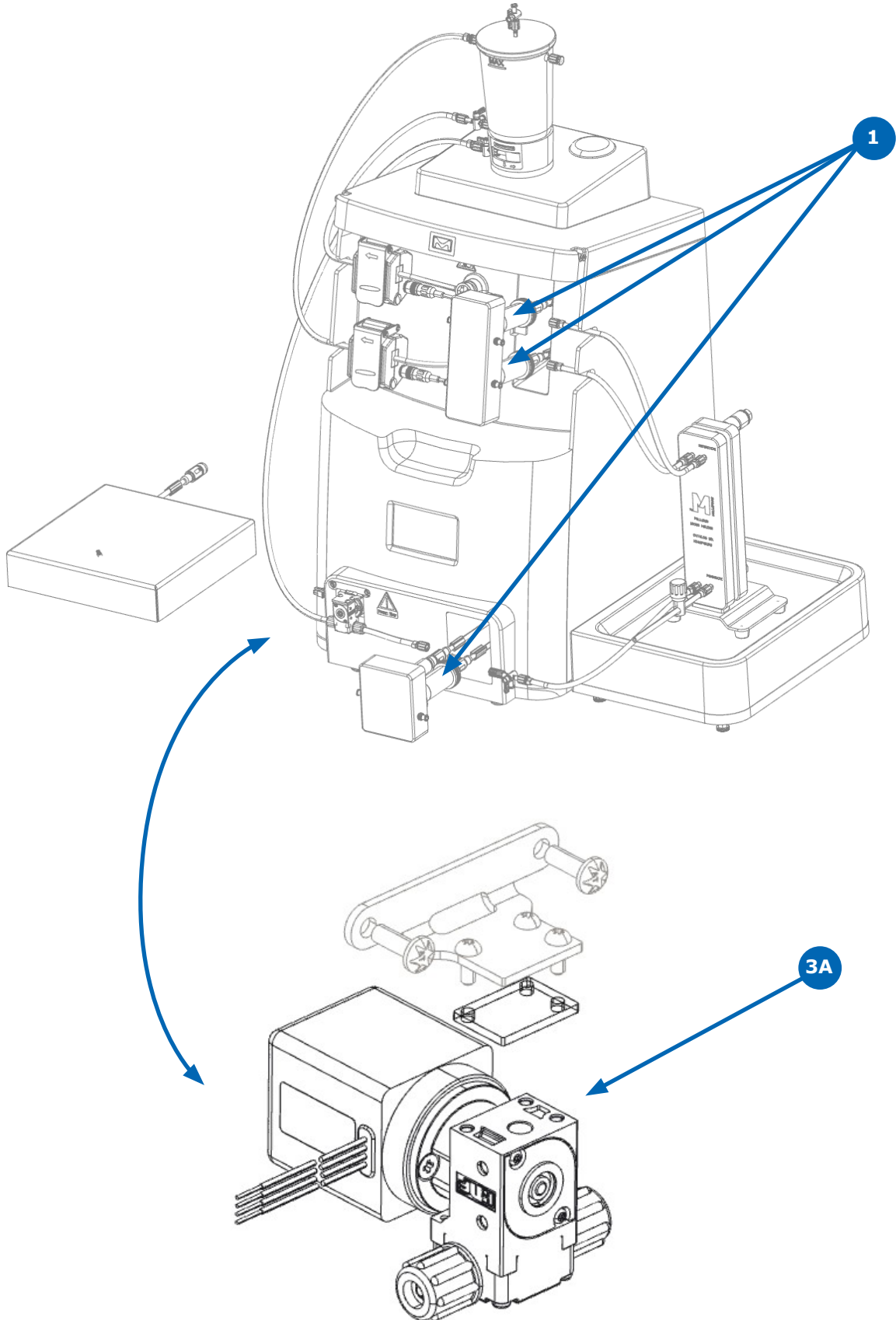
#	Catalog number	Description	Cogent® Lab 150	Cogent® Lab 800	Cogent® Lab 6000	PM, Critical, Other	Field service required for installation/ setup***	Frequency
	SPKBTP150PMK001	Cogent® Lab 150 Prev. Maint. Kit	X			PM	yes	1000 hrs or ≥1 y
	SPKBTP800PMK001	Cogent® Lab 800 Prev. Maint. Kit		X		PM	yes	1000 hrs or ≥1 y
	SPKBTP6KPMK001	Cogent® Lab 6000 Prev. Maint. Kit			X	PM	yes	1000 hrs or ≥1 y
7B/C	SPKGENINS001	Maintenance kit for UV OUSAF44		X	X	PM	yes	1000 hrs or ≥1 y
	SPKGENINS002	Oring kit for pH-cond/DO flowcell		X	X	PM	yes	1/y
1	SPKBTP000INS001	Cogent® Lab pressure sensor kit	X	X	X	critical	yes	N/A
2	SPKBTP000INS002	Cogent® Lab temperature sensor kit	X	X	X	critical	yes	N/A
8B/C	SPKBTP000INS004	Cogent® Lab pH sensor filtrate		X	X	critical	yes	N/A
9B/C	SPKBTP000INS005	Cogent® Lab conductivity sensor filtrate		X	X	critical	yes	N/A
10B/C	SPKGENELC007	Cogent® Lab pH/Cond. replacement cable		X	X	critical	yes	N/A
3A	SPKBTP150PMP001	Cogent® Lab 150 replacement pump	X			other	no	1000 hrs or ≥1 y
4A	SPKBTP150TNK001	Cogent® Lab 150 TANK KIT	X			critical	yes	N/A
3B/C	SPKBTP800TNK001	Cogent® Lab 800 TANK KIT		X		critical	yes	N/A
4B/C	SPKGENPMP001	Pump QF150S elastomers kit*		X		other	yes	1000 hrs or ≥1 y
11C	SPKBTP6KINS001	Cogent® Lab 6000 pH sensor feed			X	critical	yes	N/A
12C	SPKBTP6KINS002	Cogent® Lab 6000 conductivity sensor feed			X	critical	yes	N/A
3B/C	SPKBTP6KTNK001	Cogent® Lab 6000 tank kit			X	critical	yes	N/A
4B/C	SPKGENPMP003	Pump QF1200S elastomers kit			X	other	yes	1000 hrs or ≥1 y
	SPKBTP000ELC001	PC Onlogic**	X	X	X	other	send back to supplier or repair	
	SPKBTP000ELC002	Cogent® Lab 800/6000 HMI		X	X	other	send back to supplier or repair	
	SPKBTP000INS003	Cogent® Lab 150/800 filtrate flowmeter	X	X		other	send back to supplier or repair	
	SPKBTP000PKG001	Cogent® Lab 800/6000 packaging		X	X	other	no	
	SPKBTP000VLV001	Cogent® Lab 1/4" OD PCV	X	X		other	send back to supplier or repair	
	SPKBTP000VLV002	Cogent® Lab 1/2" OD PCV		X	X	other	send back to supplier or repair	
	SPKGENELC001	Replacement cable SAC-4P-1,5PUR	X	X	X	other	yes	N/A
	SPKGENELC002	Replacement cable SAC-5P-5,0PUR	X	X	X	other	yes	N/A
	SPKGENELC003	Replacement cable SAC-8P-1,5PUR	X	X	X	other	yes	N/A
	SPKGENELC004	Replacement cable SACCBP-FS-4CON-M16	X	X	X	other	yes	N/A
	SPKGENELC005	Replacement cable SACCBP-FS-8CON-M16	X	X	X	other	yes	N/A
	SPKGENELC006	LFSC-iX flowmeter replacement cable	X	X	X	other	yes	N/A
	SPKBTP150ELC001	Cogent® Lab 150 HMI	X			other	send back to supplier or repair	
5A	SPKBTP150FRM001	Cogent® Lab 150 FRONT COVER	X			other	no	N/A
	SPKBTP150INS001	Cogent® Lab 150 retentate flowmeter	X			other	send back to supplier or repair	
6A	SPKBTP150MFD001	Cogent® Lab 150 SENSORS BLOCKS KIT	X			other	no	N/A
	SPKBTP150PKG001	Cogent® Lab 150 packaging	X			other	no	N/A
5B/C	SPKBTP800FRM001	Cogent® Lab 800 front cover		X		other	no	N/A
	SPKBTP800INS001	Cogent® Lab 800 retentate flowmeter		X		other	send back to supplier or repair	
	SPKBTP000INS006	Cogent® Lab 800/6000 weighting assembly kit		X	X	critical	yes	N/A
6B/C	SPKBTP800MFD001	Cogent® Lab 800 SENSORS BLOCKS KIT		X		other	no	N/A
	SPKGENPMP002	Pump QF150S-3, shaft bearing cap unit		X		other	yes	1000 hrs or ≥1 y
5B/C	SPKBTP6KFRM001	Cogent® Lab 6000 front cover			X	other	no	N/A
	SPKBTP6KINS003	Cogent® Lab 6000 retentate flowmeter			X	other	send back to supplier or repair	
	SPKBTP6KINS004	Cogent® Lab 6000 filtrate flowmeter			X	other	send back to supplier or repair	
6B/C	SPKBTP6KMFD001	Cogent® Lab 6000 sensors blocks kit			X	other	no	N/A
	SPKBTP6KVLV001	Cogent® Lab 5/8" OD PCV			X	other	send back to supplier or repair	
	SPKGENPMP004	Pump QF1200S-3, shaft bearing cap unit			X	other	yes	1000 hrs or ≥1 y

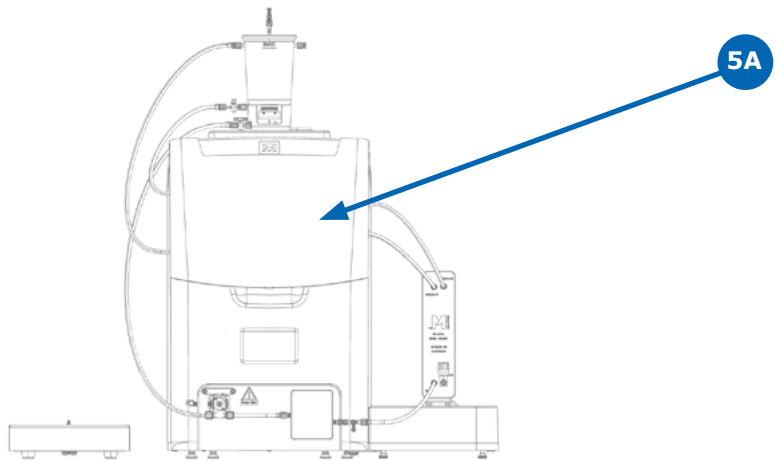
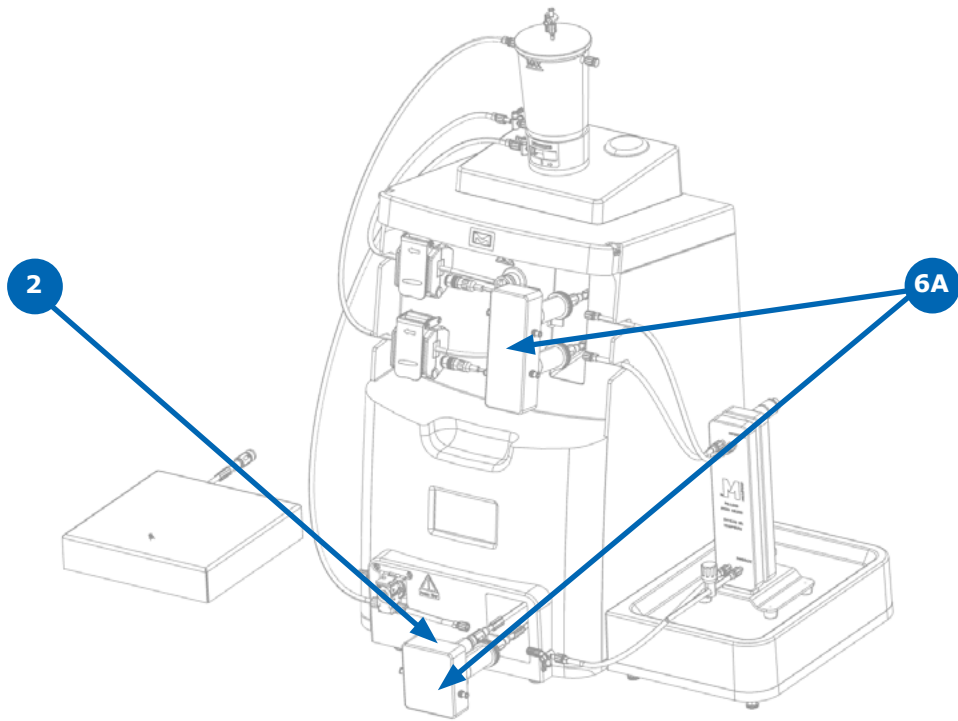
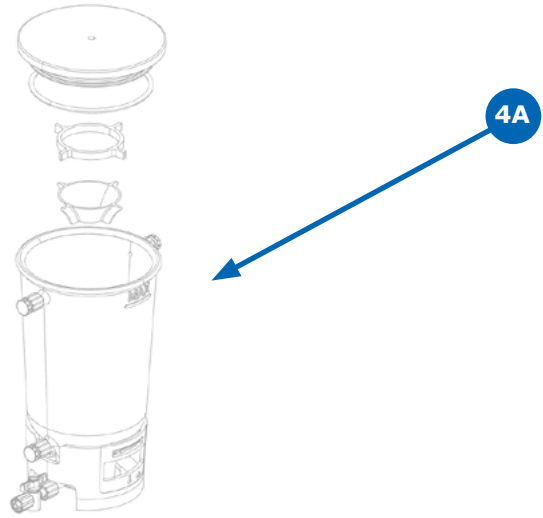
* Refer to PSG Dover Quattroflow™ pump manual for complete information about pump head.

** For PC change, please contact our sales representative

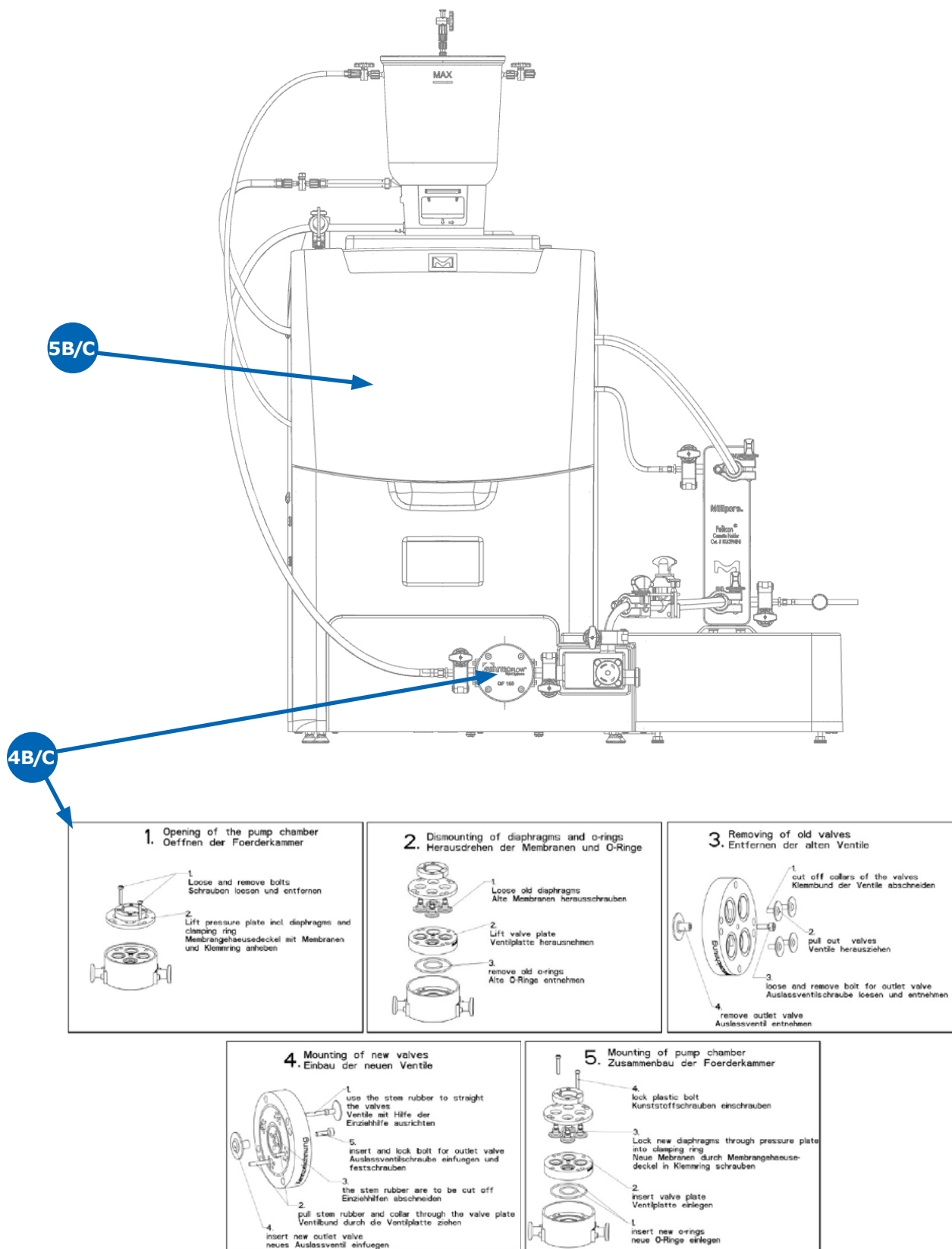
*** Replacement and/or setup need to be made by a trained technician

1. Cogent® Lab 150

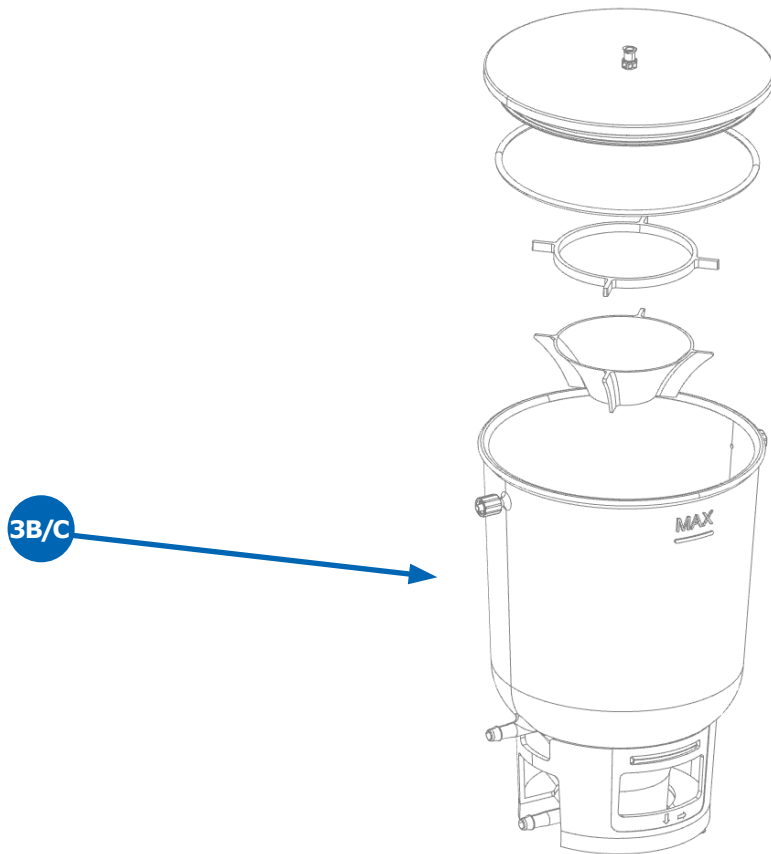
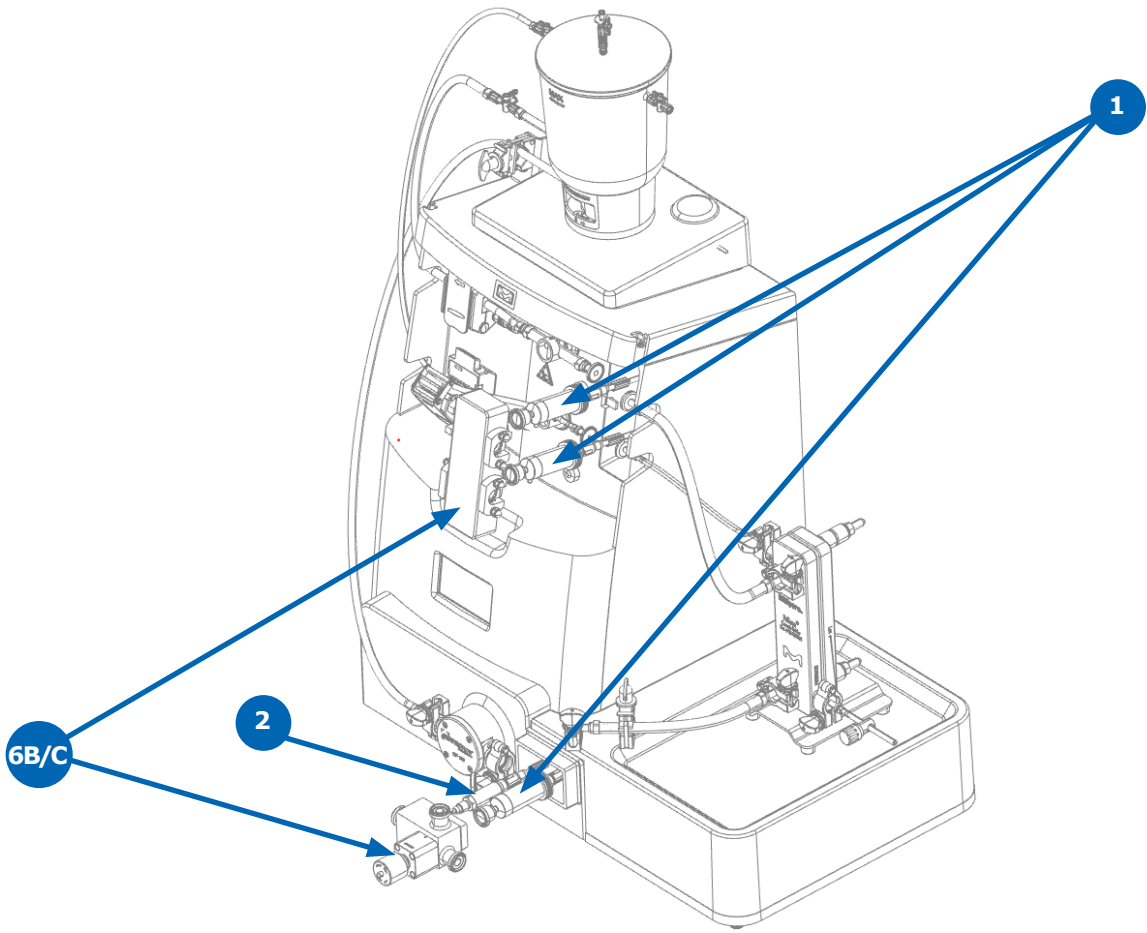


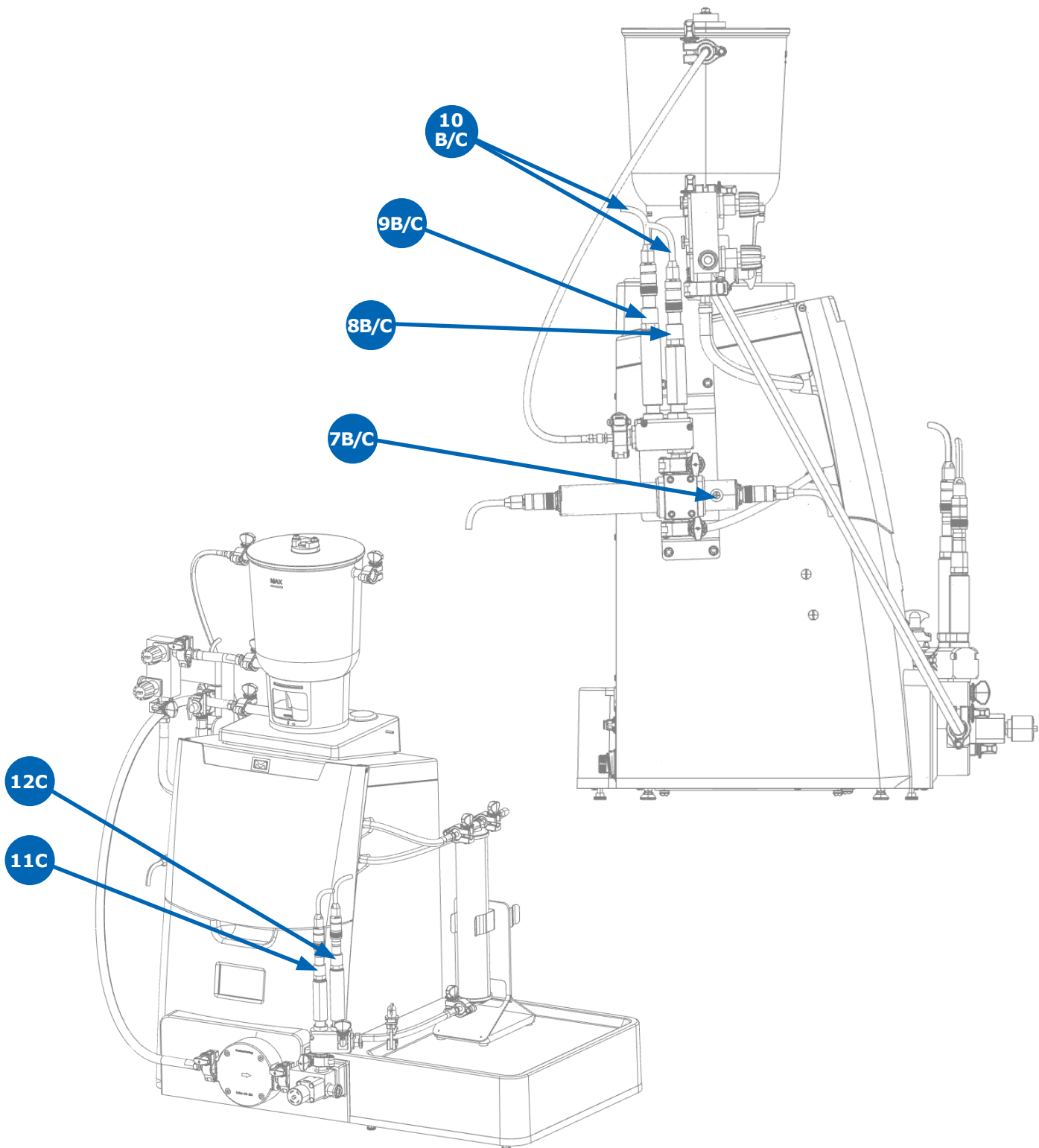


2. Cogent® Lab 800 and Cogent® Lab 6000



Refer to PSG Dover Quattroflow™ pump manual for complete information about pump head.





Merck KGaA
Frankfurter Strasse 250
64293 Darmstadt, Germany

[SigmaAldrich.com](https://www.SigmaAldrich.com)

