

# NovaSeptum® GO Holders

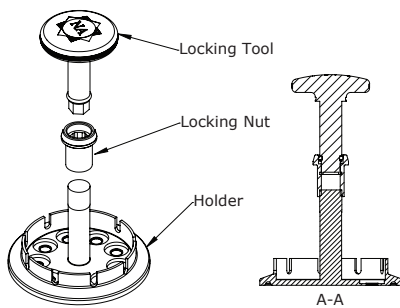
NovaSeptum® GO sampling holders are designed to be used with a 2 mm diameter needle size that accommodates a broad range of applications. For enhanced protection, each holder can be used with the NovaSeptum® GO Security Tag (ENSTAG) to prevent accidental actuation. A certificate of quality is included in each box.

## NovaSeptum® GO TC Holder

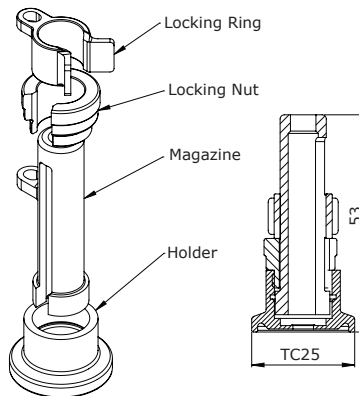
### Product Description

The NovaSeptum® GO TC holder is designed to be used with NovaSeptum® GO sampling units. The holder is also made to fit a TC. For an optimal aseptic solution, use the holder together with a NovAseptic® connector.

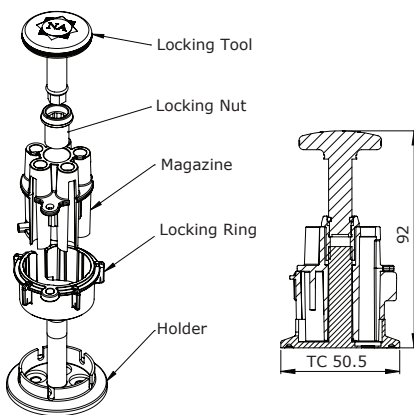
TC64 Pre-loaded Starter Kit  
(EAT92/6-3D0, Magazine not included)



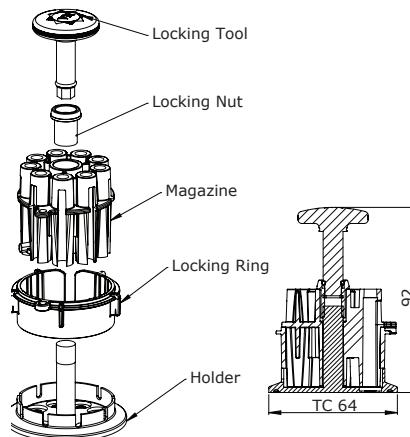
TC25 (1 Port) (ET12/2-3D0)



TC50.5 (5 Port) (ET52/5-3D0)



TC64 (9 Port) (ET92/6-3D0)



## Specifications

<b>Materials of Construction</b>	Holder	Stainless steel in compliance with 316L EN 1.4435, ASME® SA 479/ASTM® A 479, EN 10 272
	Magazine	Glass fiber reinforced PSU for 5 and 9 shot magazines. PPS high temperature resistant plastic compound for 1 shot TC magazine.
	Locking nut and tool	Stainless steel in compliance with SS2346, ASTM® 303
	Holder	Stainless steel in compliance with ASTM® 316
	Screw	Stainless steel in compliance with A4
	Locking nut	Stainless steel in compliance with SS2346, ASTM® 303
	Wing nut (A005)	Stainless steel in compliance with A4
	Locking tag	Polyamid/stainless steel
	Ring	Polysulfone for 5 and 9 shot rings. Polyester for 1 shot TC ring.

### Nominal Dimensions

Catalogue No.	Weight	Minimum Pipe Diameter*	O-ring	Application
ET12/2-3D0	0.06 kg	If the holder is attached to piping, the minimum inner diameter of pipe has to be 5 mm.	—	Standalone
ET52/5-3D0	0.4 kg	If the holder is attached to piping, the minimum inner diameter of pipe has to be 29 mm.	EPDM, located on locking tool	Standalone
ET92/6-3D0	0.3 kg	If the holder is attached to piping, the minimum inner diameter of pipe has to be 42.7 mm.	EPDM, located on locking tool	Standalone
EAT52/5-3D0		If the holder is attached to piping, the minimum inner diameter of pipe has to be 29 mm.		Pre-loaded
EAT92/6-3D0		If the holder is attached to piping, the minimum inner diameter of pipe has to be 42.7 mm.		Pre-loaded

\*Do not use PTFE coated NovaSeptum® GO holders with alkaline solutions such as NaOH and KOH.

<b>Environmental</b>	Surface Finish	Wetted parts electropolished Ra ≤0.5 µm
	Design Temperature, Holder	-80°C to 150°C (-112°F to 302°F)
	Design Pressure, Holder	6.00 bar (g) (87 psi)
	Traceability	The product and packaging label includes the catalogue and lot number. Each holder is marked for full lot traceability and heat number.
	Packaging	All open ends on the NovaSeptum® GO holders are protected with plastic covers. The holder is pre-assembled and packed in a closed box to reduce exposure.

## Ordering Information

### NovaSeptum® GO TC Holder

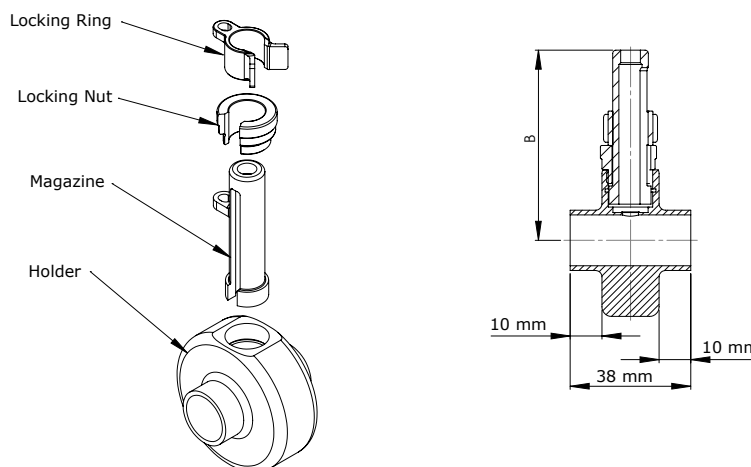
Electropolished + Glass-Blasted

No. of Sample Ports	TC Size (O.D.ϕ)	Inner Diameter	Catalogue No.
1	25 mm (.5 in.)		ET12/2-3D0
5	50.5 mm (1.5 in.)	29 mm (1.14 in.)	ET52/5-3D0
9	64 mm (2 in.)	42.7 mm (1.68 in.)	ET92/6-3D0
5	50.5 mm (1.5 in.)		EAT52/5-3D0
9	64 mm (2 in.)		EAT92/6-3D0

# NovaSeptum® GO In-Line Butt-End Fully Machined Holder Configuration

## Product Description

The NovaSeptum® GO in-line butt-end holder is designed to be welded on a pipe for in-line sampling and can be steam sterilized.



## US Tube

Tube Nominal Dimensions in mm (in.)	B	Cat. No.
<b>ASTM® A 269/270</b>		
12.7 x 1.65 mm (0.5 in. x 0.065 in.)	53 mm (2.1 in.)	EP12/127x94-3D4
19.1 x 1.65 mm (0.75 in. x 0.065 in.)	56 mm (2.2 in.)	EP12/191x158-3D4
<b>DIN 11850 (part 2)</b>		
13 x 1.5 mm	53 mm	EP12/130x100-3D4
19 x 1.5 mm	56 mm	EP12/190x160-3D4

## Specifications

<b>Materials of Construction</b>	Holder	Stainless steel in compliance with 316L EN 1.4435, EN 10 272, ASME® SA 479/ASTM® A 479, fully machined
	Magazine	PPS, high-temperature resistant plastic compound
	Locking nut	Stainless steel in compliance with SS2346, ASTM® 303
	Locking tag	Polyamid/stainless steel
	Ring	Polyester
<b>Nominal Dimensions</b>	Weight	0.2 kg
<b>Environmental</b>	Surface Finish	Wetted parts (electropolished) Ra ≤ 0.5 µm
	Operating Temperature	-80°C to 150°C (-112°F to 302°F)
	Maximum Operating Pressure	Withstand 6.00 bar (g) (87 psi)
	Traceability	The product and packaging label includes the catalog and lot number. Each holder is marked for full lot traceability and heat number.
	ASME® BPE	Manufactured according to ASME® BPE guidelines
Packaging	All open ends on the NovaSeptum® GO holders are protected with plastic covers. The holder is pre-assembled and packed in a closed box to reduce exposure.	

## Ordering Information

### NovaSeptum® GO In-Line Butt-End Holder

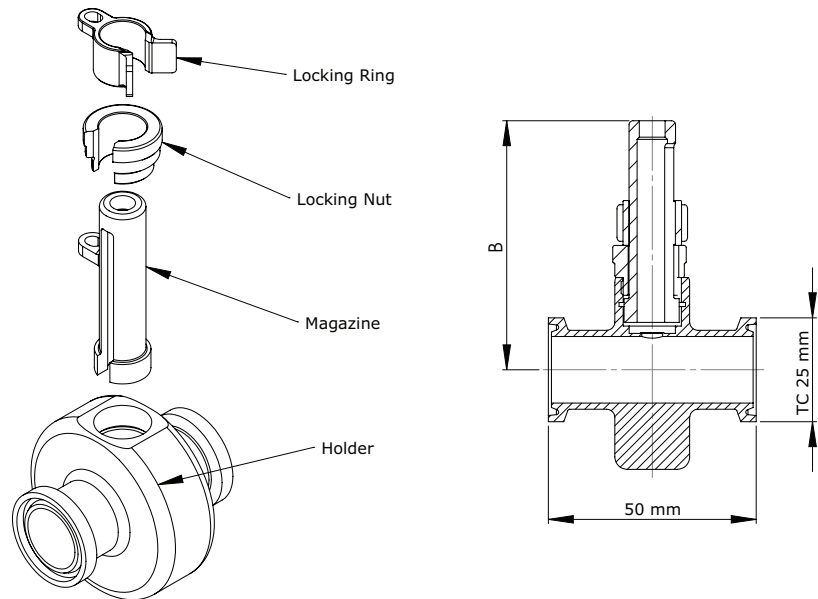
Electropolished + Glass-Blasted

No. of Sample Ports	Tube Size (O.D.Ø)	Cat. No.
1	0.5 in. (ASTM®)	EP12/127x94-3D4
	0.75 in. (ASTM®)	EP12/191x158-3D4
	13 mm (DIN)	EP12/130x100-3D4
	19 mm (DIN)	EP12/190x160-3D4

# NovaSeptum® GO In-Line TC Fully Machined Holder Configuration

## Product Description

The NovaSeptum® GO in-line TC holder is designed for installation on a pipe for in-line sampling for autoclaving or can be steam-sterilized.



## US Tube

Tube Nominal Dimensions in mm (in.)	B	Cat. No.
<b>ASTM® A 269/270</b>		
12.7 x 1.65 mm (0.5 in. x 0.065 in.)	53 mm (2.1 in.)	EP12/127x94-3D5
19.1 x 1.65 mm (0.75 in. x 0.065 in.)	56 mm (2.2 in.)	EP12/191x158-3D5
<b>DIN 11850 Reihe 2</b>		
13 x 1.5 mm	53 mm	EP12/130x100-3D5
19 x 1.5 mm	56 mm	EP12/190x160-3D5

## Specifications

<b>Materials of Construction</b>	Holder	Stainless steel in compliance with 316L EN 1.4435, EN 10 272, ASME® SA 479/ASTM® A 479, fully machined
	Magazine	PPS, high-temperature resistant plastic compound
	Locking nut	Stainless steel in compliance with SS2346, ASTM® 303
	Locking tag	Polyamid/stainless steel
	Ring	Polysulfone
<b>Nominal Dimensions</b>	Weight	0.25 kg
<b>Environmental</b>	Surface Finish	Wetted parts (manually polished and electropolished) Ra ≤ 0.5 µm
	Operating Temperature	-80°C to 150°C (-112°F to 302°F)
	Maximum Operating Pressure	Withstand 6.00 bar (g) (87 psi)
	Traceability	The product and packaging label includes the catalog and lot number. Each holder is marked for full lot traceability and heat number.
	ASME® BPE	Manufactured according to ASME® BPE guidelines
	Packaging	All open ends on the NovaSeptum® GO holders are protected with plastic covers. The holder is pre-assembled and packed in a closed box to reduce exposure.

## Ordering Information

### NovaSeptum® GO In-Line TC Holder (2-Port)

Electropolished + Glass-Blasted

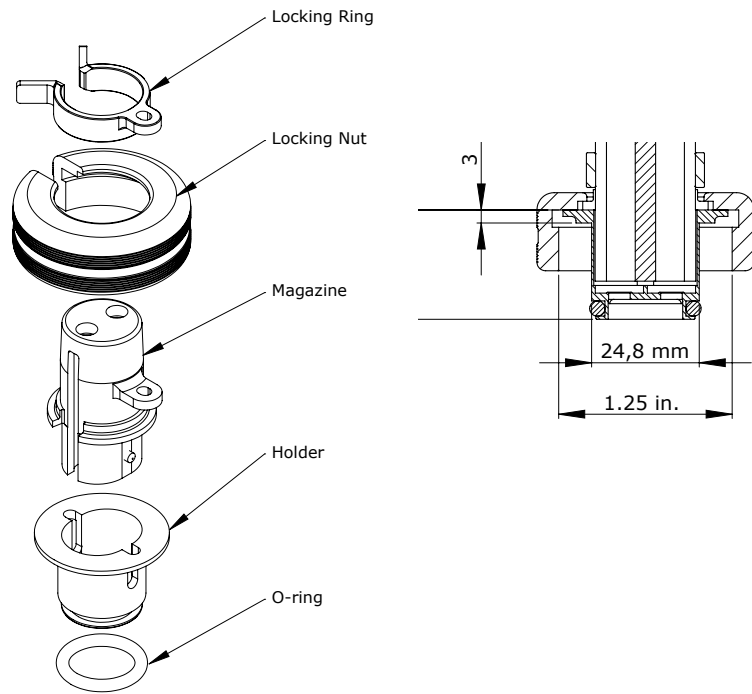
No. of Sample Ports	Tube Size (O.D.Ø)	TC Size	Cat. No.
1	0.5 in. (ASTM®)	25 mm (.5 in.)	EP12/127x94-3D5
	0.75 in. (ASTM®)	25 mm (.5 in.)	EP12/191x158-3D5
	13 mm (DIN)	25 mm (.5 in.)	EP12/130x100-3D5
	19 mm (DIN)	25 mm (.5 in.)	EP12/190x160-3D5

# NovaSeptum® GO Holder for Ingold® (2-Port) Configuration

## Product Description

The NovaSeptum® GO holder for Ingold® configuration is designed to be used in combination with NovaSeptum® GO sampling units and to fit a  $\varnothing 25$  mm Ingold® fitting. A certificate of quality is included in each box.

(All dimensions are nominal)



## Specifications

<b>Materials of Construction</b>	Holder	Stainless steel in compliance with 316L EN 1.4435, ASME® SA 479/ASTM® A479, EN 10 272
	Magazine	PPS, high-temperature resistant plastic compound
	Locking nut	Stainless steel in compliance with SS2346, ASTM® 303
	O-ring	EPDM, in compliance with USP <88>, Class VI we also should add the temperature to which it has been tested : usually we use 70°C or 121°C in case of sterilization needs.
	Locking tag	Polyamid/stainless steel
	Ring	Polyester
<b>Nominal Dimensions</b>	Weight	0.2 kg
<b>Environmental</b>	Surface Finish	Wetted parts (manually polished and electropolished) Ra ≤ 0.5 µm
	Design Temperature, Holder	-80°C to 150°C (-112°F to 302°F)
	Design Pressure, Holder	6.00 bar (g) (87 psi)
	Traceability	The product and packaging label includes the catalog and lot number. Each holder is marked for full lot traceability and heat number.
	Packaging	All open ends on the NovaSeptum® GO holders are protected with plastic covers. The holder is pre-assembled and packed in a closed box to reduce exposure.

## Ordering Information

### NovaSeptum® GO Holder for Ingold® (2-Port)

Electropolished + Glass-Blasted

No. of Sample Ports	Ingold® Insertion Length	Length	Cat. No.
2	Diam. 25 mm	25.2 mm	EG22/380x252-3D0
2	Diam. 49 mm	49 mm	EG22/380X490-3D0
2	Diam. 55 mm	55 mm	EG22/380X550-3D0

## To place an order or receive technical assistance

Please visit  
**[MerckMillipore.com/contactPS](https://www.MerckMillipore.com/contactPS)**

For additional information, please visit  
**[MerckMillipore.com](https://www.MerckMillipore.com)**

