

Spare parts for QuikScale® Chromatography columns

Diameters 70/100/140 mm

1. Bottom Column 70 mm	2
2. Bottom Column 100 mm	6
3. Bottom Column 140 mm	10
4. Top Column 70 mm	14
5. Top Column 100 mm	15
6. Top Column 140 mm	16

Note:

* **Preventive maintenance (PM) parts** are subject to wear and tear. Under average usage conditions, they should be replaced at least once per year. A risk assessment based on the specific system usage and production conditions may indicate replacement of some or all of these parts more frequently.

* **Critical parts** have been identified as most critical to avoiding system downtime and are recommended to be kept in stock for immediate availability.

For both **PM parts** and **critical parts** stock recommendation is 1 part per unit.



The life science business of Merck operates as MilliporeSigma in the U.S. and Canada.

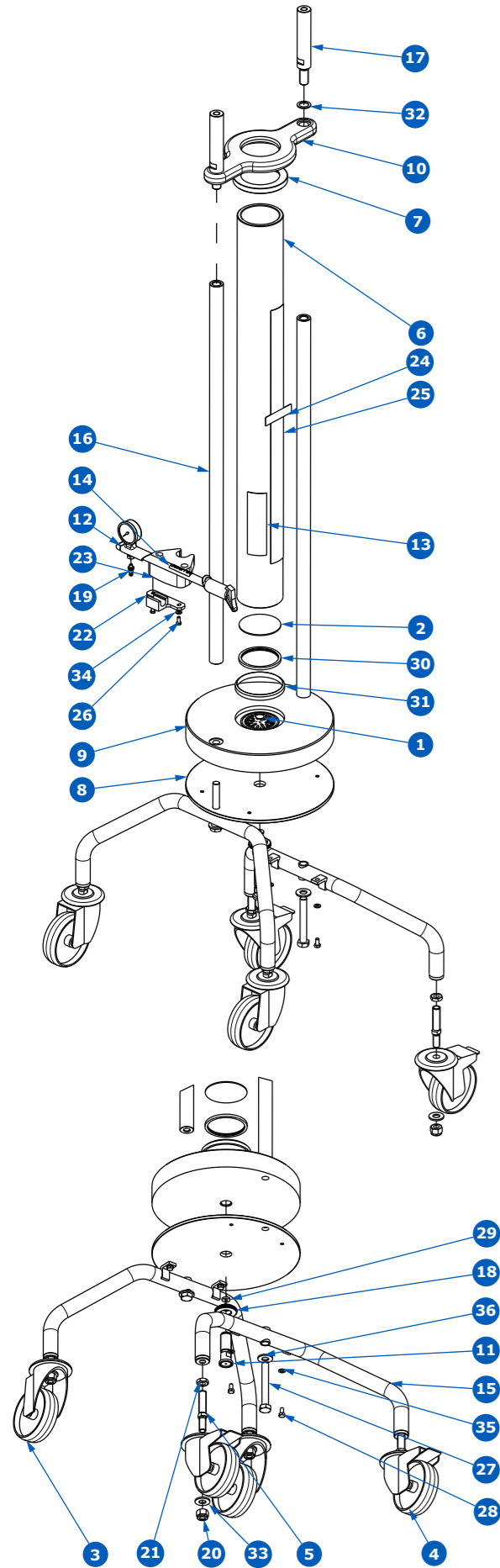
Kits for Bottom QuikScale® Column—Diameter 70 GS Glass

KITS FOR BOTTOM COLUMN QuikScale® DIA 70 MODEL GS—GLASS—GS072711—GS072712—GS072713

NOTE 1		
fixed bed support, mesh screens		
10 μm	20 μm	30 μm
SPKQS070016	SPKQS070017	SPKQS070018

NOTE 2		
HEIGHT	LOAD PILLAR	COLUMN TUBE & SCALE LABEL
70 x 550	SPKQS0710140015	SPKQS070009
70 x 800	SPKQS0710140016	SPKQS070010
70 x 1100	SPKQS0710140017	SPKQS070011

Item	Qty	DESCRIPTION	MATERIAL/COMMENT	Kits Catalogue Numbers																		
				SPKQS070009 (other)	SPKQS070010 (other)	SPKQS070011 (other)	SPKQS0710140015 (other)	SPKQS0710140016 (other)	SPKQS0710140017 (other)	SPKQS0710140018 (other)	SPKQS070015 (other)	SPKQS070016 (critical)	SPKQS070017 (critical)	SPKQS070018 (critical)	SPKQS070020 (critical)	SPKQS070021 (critical/PM)	SPKQS0710140019 (other)	SPKQS0710140021 (other)	SPKQS0710140022 (other)	SPKQS0710140025 (other)	SPKQSXX0003 (other)	SPKQSXX0004 (other)
1	1	ANTI-JET DISC, 15 mm O/D, GL70-140 COLUMNS	BLACK POLYPROPYLENE																			
2	1	BED SUPPORT ØD x Ø7 x 1.7 THK	POROSTAR—DIN 1.4539, See Note 1								1	1	1									
3	2	CASTOR—SWIVEL—Ø100—SINGLE BOLTHOLE																			2	
4	2	CASTOR—SWIVEL—BRAKED—Ø100—SINGLE BOLTHOLE																			2	
5	4	CASTOR STUD THREADED M12 x M12 MALE, GL70/140 COLUMNS	SST 316L																		4	
6	1	COLUMN TUBE GLASS—GLG70 COLUMN	BOROSILICATE GLASS, See note 2	1	1	1																
7	1	COLUMN TUBE PROTECTOR (GSG & GAG 70)	NATURAL POLYPROPYLENE	1	1	1																
8	1	FIXED CELL BACKING PLATE Ø236 x 6 mm, GL70-140 COLUMNS	SST 316L																		1	
9	1	FIXED CELL GS70 COLUMN	POLYPROPYLENE FDA									1										
10	1	FLANGE TOP COLUMN TUBE, GL70 COLUMN	SST 316L FORGED							1												
11	1	FLOW TUBE ADAPTOR ½"	SST 316L															1				
12	1	HIGH PRESSURE PUMP, HAND OPERATED, 300 PSI	VARIOUS																			1
13	1	LABEL LOGO QuikScale®		1	1	1																
14	1	LABEL MILLIPORE FOR HAND PUMP																			1	
15	2	LEG WELD ASSY—GL70/140 COLUMNS	SST 304																		2	
16	2	LOAD PILLAR THREADED M16	SST 316L, See note 2				2	2	2													
17	2	LOAD PILLAR UPPER THREADED M16 MALE x M12 FEMALE, GL70-140 COLUMNS	SST 316L						2													
18	1	LOCK NUT M20 x 1.5	ACETAL															1				
19	1	MALE STUD PNEUMATIC FITTING, M5 MALE x 4 mm O/D TUBE PUSH-IN																			1	
20	4	NUT—HEX NYLOC—M12	SST 316																	4		
21	4	NUT—HEX THIN—M12	SST 316																	4		
22	1	PUMP BRACKET, HIGH PRESSURE	BLACK ACETAL																			1
23	1	PUMP SUPPORT BRACKET	BLACK ACETAL																		1	
24	1	RATING PLATE LABEL																				
25	1	SCALE LABEL GL70 COLUMN	See note 2	1	1	1																
26	2	SCREW—PAN-HEAD-SLOTTED—M5 x 12 LG	SST 316																			2
27	2	SCREW—SET HEX HEAD—M12 x 90 LG	SST 316				2	2	2						2					2	2	
28	4	SCREW—SET HEX HEAD—M6 x 12 LG	SST 316																	4	4	
29	1	SEAL—SQUARE SECTION—14.5 O/D x 6 I/D x 3 THICK	EPDM											1	1	1		1			1	
30	1	SEAL 'U' SECTION BED SUPPORT—Ø77.0	EPDM FDA	1	1	1					1	1	1	1	1							
31	1	SUPPORT RING—TUBE STOP, GSG 70	BLACK PROPYLENE	1	1	1																
32	2	THRUST WASHER	BLACK ACETAL				2	2	2	2	2											
33	4	WASHER—PLAIN—M12	SST 316																	4		
34	2	WASHER—PLAIN—M5	SST 316																			2
35	4	WASHER—PLAIN—M6	SST 316																	4	4	
36	2	WASHER/SPRING—M12	SST 316				2	2	2					2						2	2	



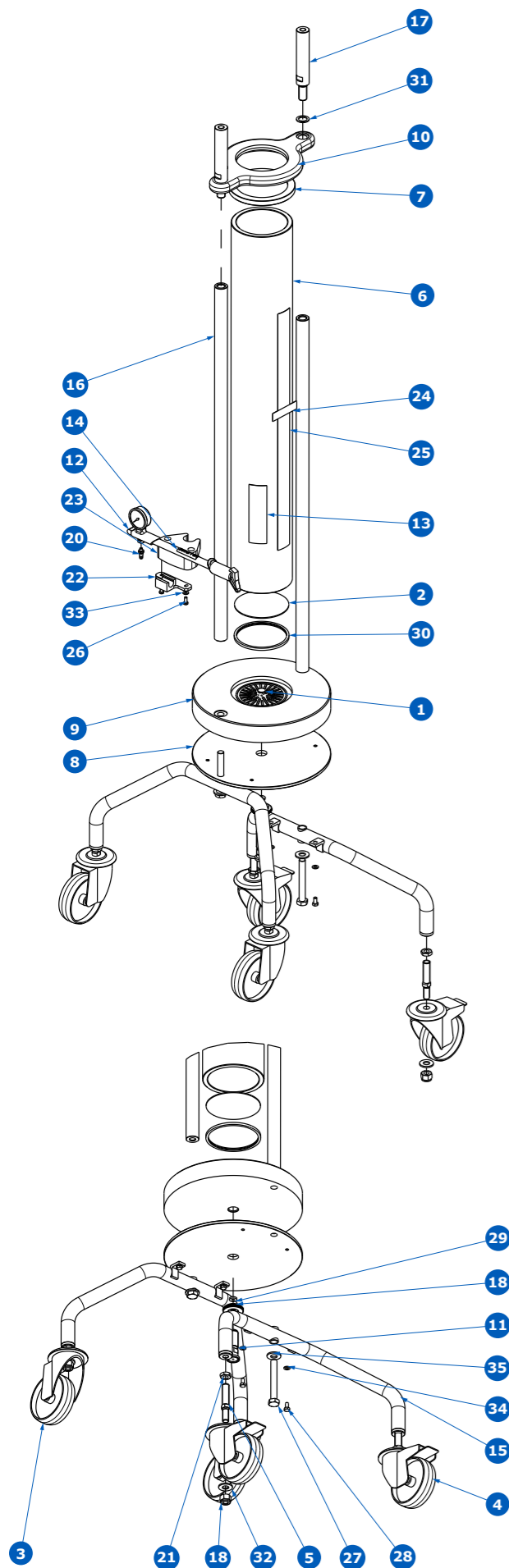
Kits for Bottom QuikScale® Column—Diameter 100 GS Acrylic

KITS FOR BOTTOM COLUMN QuikScale® DIA 100 MODEL GS—ACRYLIC—REF GS101711—GS101712—GS101713

NOTE 1		
Fixed Bed Support Mesh Screens		
10 µm	20 µm	30 µm
SPKQS100016	SPKQS100017	SPKQS100018

NOTE 2		
HEIGHT	LOAD PILLAR	COLUMN TUBE & SCALE LABEL
100 x 550	SPKQS0710140015	SPKQS100006
100 x 800	SPKQS0710140016	SPKQS100007
100 x 1100	SPKQS0710140017	SPKQS100008

Item	Qty	DESCRIPTION	MATERIAL/COMMENT	Kits Catalogue Numbers																								
				SPKQS100006 (other)	SPKQS100007 (other)	SPKQS100008 (other)	SPKQS0710140015 (other)	SPKQS0710140016 (other)	SPKQS0710140017 (other)	SPKQS0710140018 (other)	SPKQS100015 (other)	SPKQS100016 (critical)	SPKQS100017 (critical)	SPKQS100018 (critical)	SPKQS100020 (critical)	SPKQS100021 (critical/PM)	SPKQS100026 (other)	SPKQS0710140019 (other)	SPKQS0710140021 (other)	SPKQS0710140022 (other)	SPKQS0710140025 (other)	SPKQSXX0003 (other)	SPKQSXX0004 (other)					
1	1	ANTI-JET DISC, 15 mm O/D, GL70-140 COLUMNS	BLACK POLYPROPYLENE												1													
2	1	BED SUPPORT ØD x Ø7 x 1.7 THK	POROSTAR—DIN 1.4539, See Note 1												1	1	1											
3	2	CASTOR—SWIVEL—Ø100—SINGLE BOLTHOLE																										2
4	2	CASTOR—SWIVEL—BRAKED—Ø100—SINGLE BOLTHOLE																										2
5	4	CASTOR STUD THREADED M12 x M12 MALE, GL70/140 COLUMNS	SST 316L																									4
6	1	COLUMN TUBE ACRYLIC/GLASS—P100	ACRYLIC, See Note 2	1	1	1																						
7	1	COLUMN TUBE PROTECTOR (GSP & GAP 100)	NATURAL POLYPROPYLENE																									1
8	1	FIXED CELL BACKING PLATE Ø236 x 6 mm, GL70-140 COLUMNS	SST 316L																									1
9	1	FIXED CELL GS100 COLUMN	POLYPROPYLENE FDA																									
10	1	FLANGE TOP COLUMN TUBE, GL100 COLUMN	SST 316L FORGED												1													
11	1	FLOW TUBE ADAPTOR 1/2"	SST 316L																									1
12	1	HIGH PRESSURE PUMP, HAND OPERATED, 300 PSI	VARIOUS																									1
13	1	LABEL LOGO QuikScale®		1	1	1																						
14	1	LABEL MILLIPORE FOR HAND PUMP																										1
15	2	LEG WELD ASSY—GL70/140 COLUMNS	SST 304																									2
16	2	LOAD PILLAR THREADED M16	SST 316L, See Note 2				2	2	2																			
17	2	LOAD PILLAR UPPER THREADED M16 MALE x M12 FEMALE, GL70-140 COLUMNS	SST 316L											2														
18	1	LOCK NUT M20 x 1.5	ACETAL																									1
19	1	MALE STUD PNEUMATIC FITTING, M5 MALE x 4 mm O/D TUBE PUSH-IN																										1
20	4	NUT—HEX NYLOC—M12	SST 316																									4
21	4	NUT—HEX THIN—M12	SST 316																									4
22	1	PUMP BRACKET, HIGH PRESSURE	BLACK ACETAL																									1
23	1	PUMP SUPPORT BRACKET	BLACK ACETAL																									1
24	1	RATING PLATE LABEL																										
25	1	SCALE LABEL GL100 COLUMN	See Note 2	1	1	1																						
26	2	SCREW—PAN-HEAD-SLOTTED—M5 x 12 LG	SST 316																									2
27	2	SCREW—SET HEX HEAD—M12 x 90 LG	SST 316				2	2	2									2										2
28	4	SCREW—SET HEX HEAD—M6 x 12 LG	SST 316																									4
29	1	SEAL—SQUARE SECTION—14.5 O/D x 6 I/D x 3 THICK	EPDM																									1
30	1	SEAL 'U' SECTION BED SUPPORT—Ø107.0	EPDM FDA	1	1	1												1	1	1	1	1					1	
31	2	THRUST WASHER	BLACK ACETAL				2	2	2	2	2																	
32	4	WASHER—PLAIN—M12	SST 316																									4
33	2	WASHER—PLAIN—M5	SST 316																									
34	4	WASHER—PLAIN—M6	SST 316																									4
35	2	WASHER—SPRING—M12	SST 316				2	2	2									2										2

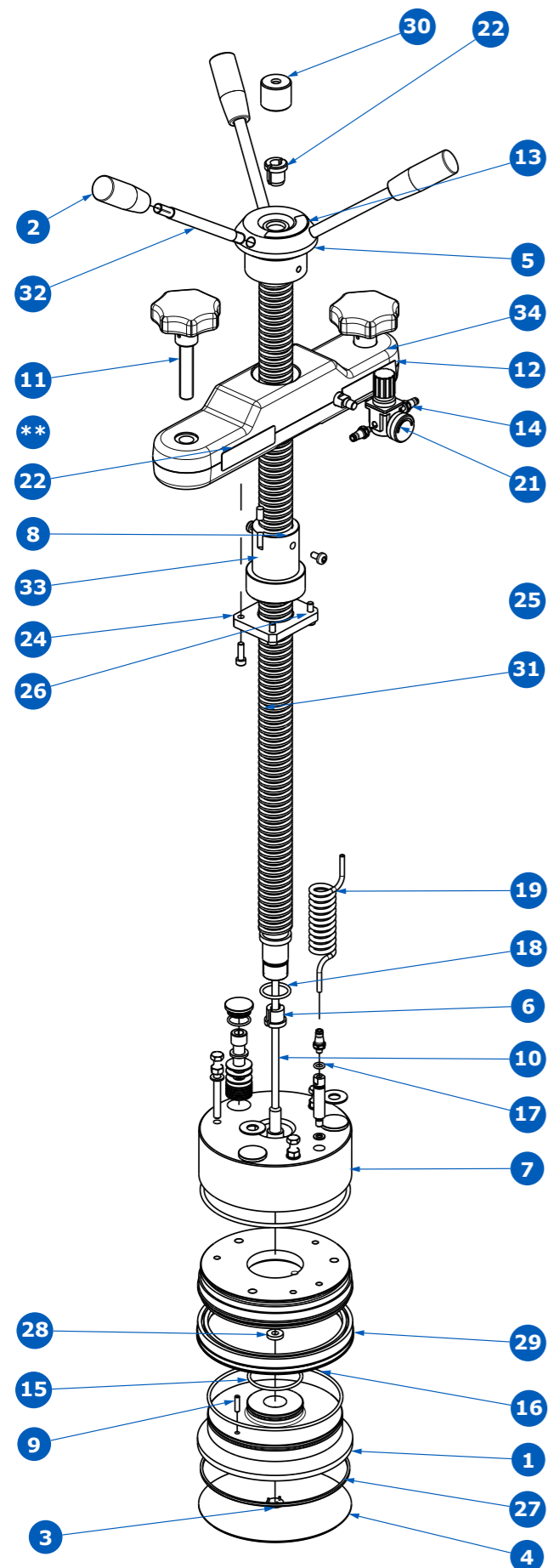


Kits for Top QuikScale® Column—Diameter 140 GA & GS

KITS FOR TOP COLUMN QuikScale® DIA 140 MODEL GA & GS

REF GA141711—GA141712—GA141713
 REF GS141711—GS141712—GS141713
 REF GA142611—GA142612—GA142613
 REF GS142611—GS142612—GS142613

NOTE 1		
Adjuster Bed Support Mesh Screens		
10 µm	20 µm	30 µm
SPKQS140001	SPKQS140002	SPKQS140003



Item	Qty	DESCRIPTION	MATERIAL/COMMENT	Kits Catalogue Numbers																			
				SPKQS140001 (critical/PM)	SPKQS140002 (critical/PM)	SPKQS140003 (critical/PM)	SPKQS140004 (critical/PM)	SPKQS140005 (other)	SPKQS0710140001 (other)	SPKQS0710140002 (critical/PM)	SPKQS0710140003 (other)	SPKQS0710140004 (other)	SPKQS0710140006 (other)	SPKQS0710140007 (other)	SPKQS0710140008 (other)	SPKQS0710140009 (other)	SPKQS0710140010 (other)	SPKQS0710140011 (other)	SPKQS0710140024 (other)	SPKQS0710140026 (other)	SPKQSXX0002 (other)		
1	1	ADJUSTER CELL—140 COLUMN	BLACK POLYPROPYLENE	1	1	1																	
2	3	ADJUSTER HANDLE BLACK—M10 FEMALE x 65 mm LONG																			3	3	
3	1	ANTI-JET DISC, 15 mm O/D, GL70-140 COLUMNS	BLACK POLYPROPYLENE	1	1	1																	
4	1	BED SUPPORT ØD x Ø7 x 1.7 THK	POROSTAR—DIN 1.4539, See Note 1	1	1	1																	
5	1	BOSS HANDWHEEL, STEM ROTATION—GL70/140 COLUMNS	SST 316L																			1	
6	1	COLLET SPLIT, FLOW TUBE, GL200/300 COLUMNS	BLACK ACETAL							1	1												
7	1	DISC SPRING CASSETTE ASSEMBLY—GL140 COLUMN						1															
8	2	DOWEL PIN—Ø8 x 12 LG	SST 316L										2									2	
9	1	DOWEL, ANTI ROTATION—Ø4 x 15.5 LG	SST 316L	1	1	1																	
10	1	FLOW TUBE ½" SANITARY, 4 mm BORE L = 808 mm (GL70/140 COLUMNS)	SST 316L									1											
11	2	HAND KNOB ASSEMBLY—M12 x 56 mm LONG																				2	
12	1	IDENTITY PLATE LABEL																				1	
13	1	LABEL "RAISE/LOWER"																				1	
14	3	MALE STUD PNEUMATIC FITTING, M5 MALE x 4 mm O/D TUBE PUSH-IN																				1	2
15	1	O' RING—BS132 (44.12 I/D x 2.62 SECTION)	EPDM	1	1	1	1																
16	1	O' RING—BS157 (113.97 I/D x 2.62 SECTION)	EPDM	1	1	1	1																
17	1	O' RING—BS803 (6.35 I/D x 1.78 SECTION)	EPDM				1																
18	1	O' RING—BS813 (22.23 I/D x 2.62 SECTION)	EPDM				1	1	1	1	1	1	1	1	1	1							
19	1	POLYURETHANE COIL TUBING—4 mm DIA	POLYURETHANE																			1	1
20	1	PRESSURE REGULATOR MOUNT ¼"NPT x M5	SST 316L																				1
21	1	PRESSURE REGULATOR, THREADED M5 x ¼"																					1
22	1	QuikScale® FLOW TUBE UPPER SPLIT COLLET, GL70-140 COLUMNS	BLACK ACETAL									1	1	1									
23	1	RATING PLATE LABEL																					1
24	1	RETAINER PLATE, ADJUSTERT THRUST RING. GL70-140 COLUMNS	SST 316L																				1
25	2	SCREW—BUTTON HEAD—M6 x 10	SST 316L																				
26	4	SCREW—CAP HEAD - M5 x 16 LG	SST 316																				4
27	1	SEAL—ADJUSTER CELL BED SUPPORT—GL140	EDPM FDA E50Q	1	1	1																	
28	1	SEAL—SQUARE SECTION—14.5 O/D x 6 I/D x 3 THICK	EPDM	1	1	1	1			1	1	1	1	1	1	1							
29	1	SEAL WEDGE TYPE (DOUBLE CHAMFER) ADJUSTER CELL P140 COLUMNS	BLACK EPDM	1	1	1	1																
30	1	SEALING BELLOW, FLOW TUBE (GL70-140 COLUMNS)	EPDM									1	1	1									3
31	1	STEM THREADED 30 x 6 PITCH MALE L/H TRAPEZOIDAL GL70/140 x 550 COLUMNS	SST 316L																				1
32	3	STUD M10 x 134 mm OVERALL LENGTH (14,100,20)	SST 316L																				3
33	1	THRUST RING STEM RETAINER Ø30 x 6 LH THREAD	BLACK ACETAL																				1
34	1	YOKE, LOAD FRAME, FORGED. GL70/140 COLUMNS	SST 316L FORGED																				1

Technical Assistance

For more information, please visit www.sigmaaldrich.com
for up-to-date worldwide contact information

