

Spare Parts List

Mobius® iFlex Bioreactor

Table of contents

| | |
|--|---|
| System overview..... | 2 |
| Mobius® iFlex Systems sizes..... | 2 |
| Mobius® iFlex Bioreactor Component Overview..... | 3 |
| Spare Parts List..... | 4 |
| Kits..... | 8 |

Illustrated views

| | |
|-------------------------------------|----|
| Fed-Batch Tower Spare Parts..... | 9 |
| Bioreactor Vessel Spare Parts..... | 13 |
| Perfusion Tower Spare Parts..... | 19 |
| Accessories Spare Parts..... | 23 |
| Sensors and probes Spare Parts..... | 24 |

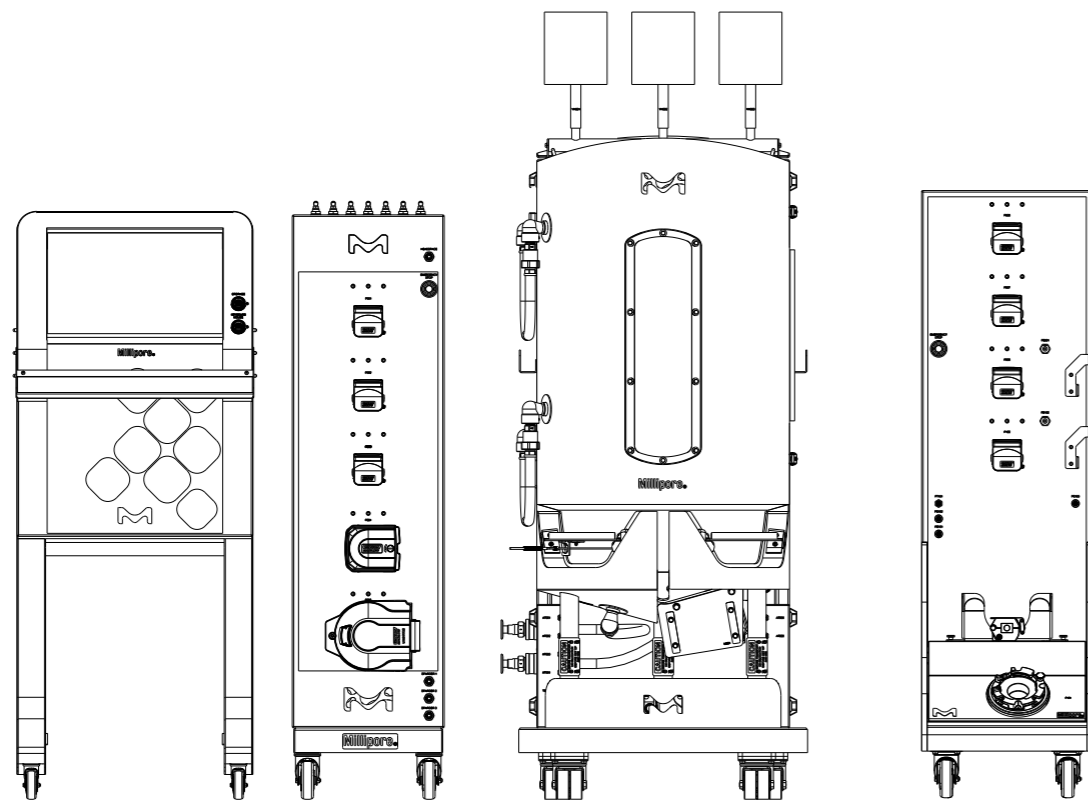


The life science business of Merck operates as MilliporeSigma in the U.S. and Canada.

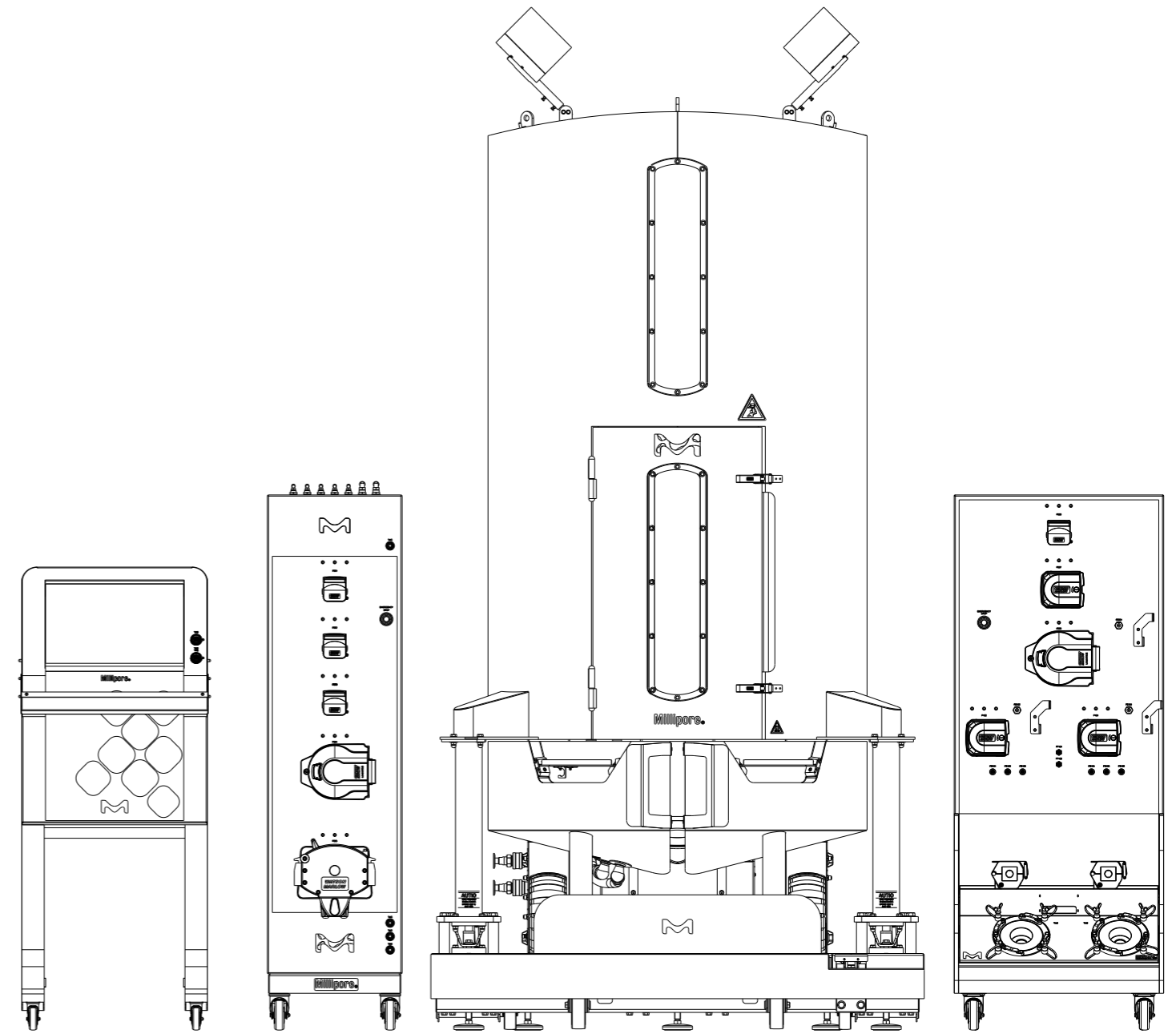
System overview

Mobius® iFlex Bioreactor Sizes

Mobius® iFlex Bioreactors are available in 200 L and 2000 L working volumes and are configurable to better fit your process needs.



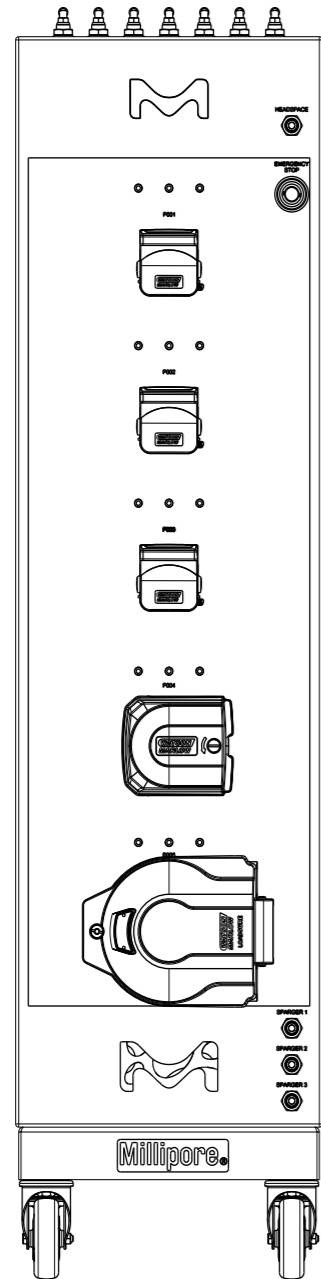
**Mobius® iFlex 200 L
Bioreactor**



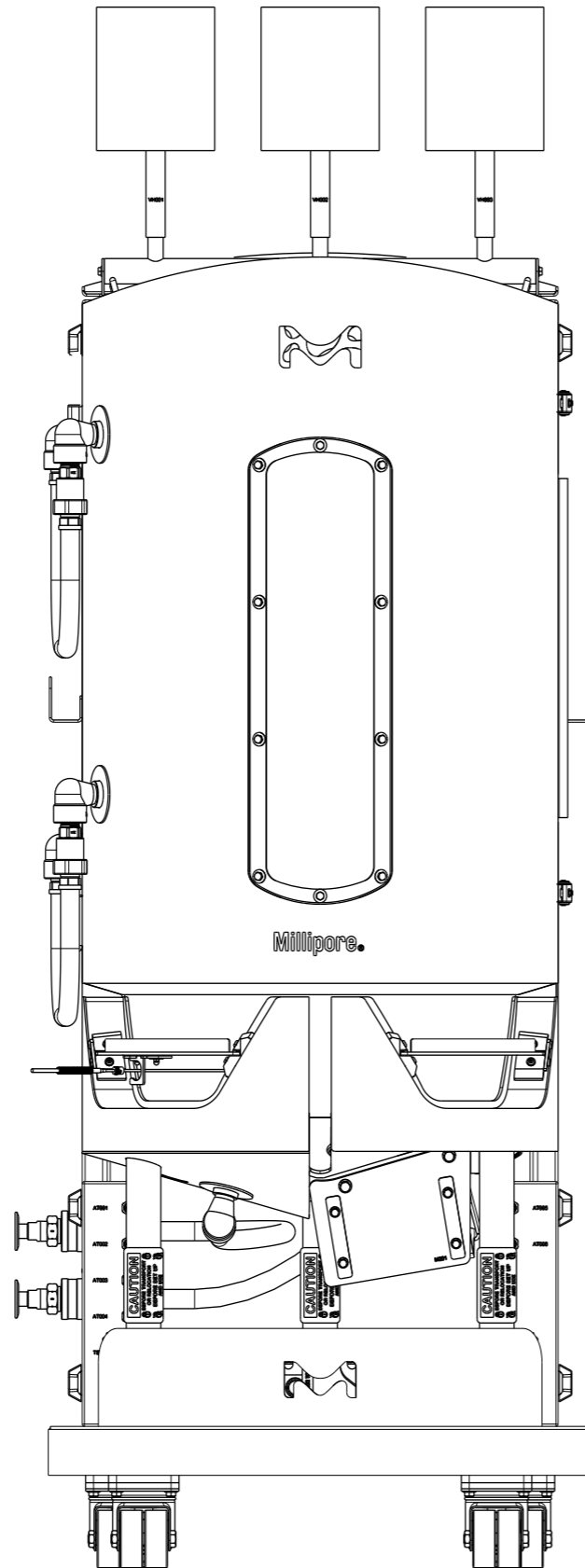
**Mobius® iFlex 2000 L
Bioreactor**

Mobius® iFlex Bioreactor Component Overview

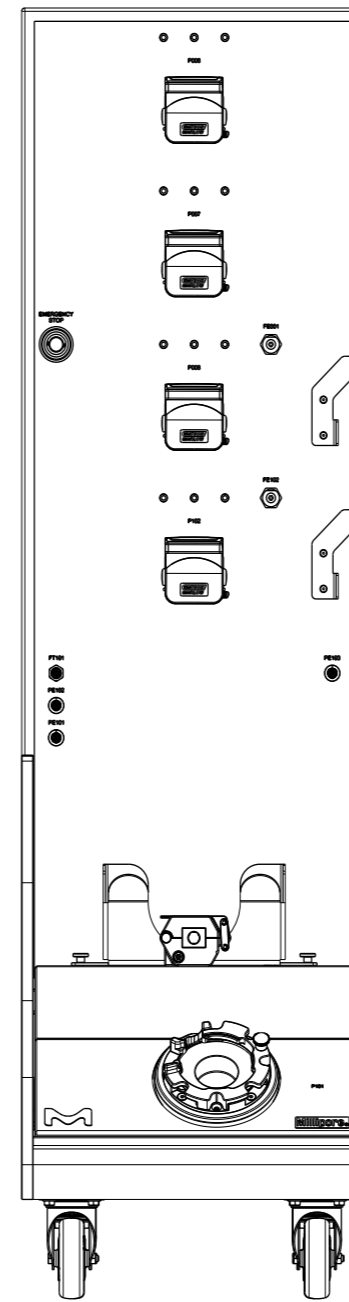
Mobius® iFlex Bioreactor consists in a platform with required Core Components to run a cell culture process, which can be completed with Optional Components. Mobius® iFlex Bioreactor consists in up to 4 towers as illustrated here.



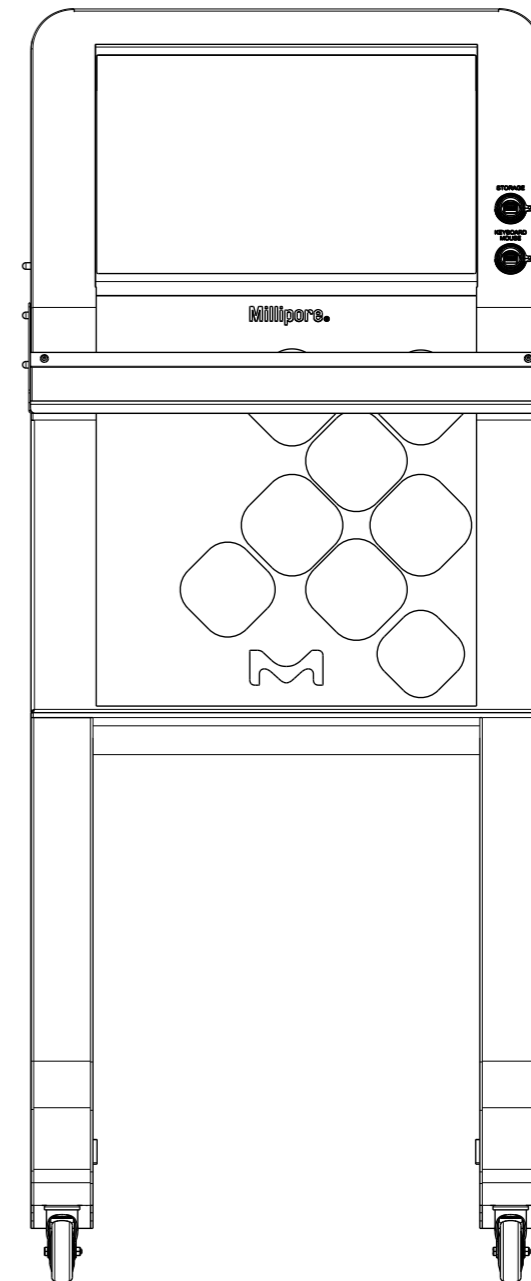
Fed-Batch Tower



Bioreactor Vessel



Perfusion Tower



Control Station

Spare Parts

To help you select and manage the spare parts required for your system, our experts have performed a risk assessment to determine which parts to keep in stock.

The risk assessment is based on our experience; each customer must perform their individual risk assessment for their process, to check the alignment with our strategy and review the stock requirements accordingly.

As a result of this risk assessment, we defined 3 categories of spare parts:

| Type of parts | Description | Stock recommendation |
|------------------------------|--|------------------------------|
| Preventive maintenance parts | <p>These are parts that are subject to wear and tear and that we recommend replacing on a regular basis. Under average usage conditions, these parts should be replaced at least once per year. A risk assessment based on the specific system usage and production conditions may result in a requirement to replace some or all of these parts more frequently.</p> <p>Not replacing wear and tear parts as recommended can impact system functionality and may result in system shutdown.</p> | 1 part per unit |
| Critical parts | <p>These parts have been identified as most critical to avoiding system downtime and are recommended to be kept in stock for immediate availability.</p> | 1 part per unit |
| All other parts | <p>All other individual parts.</p> | Risk-based customer decision |

Based on our risk analysis, preventive maintenance and critical spare parts are essential to keep your equipment running. We recommend keeping preventive maintenance and critical spare parts in stock.

For additional information, please visit: SigmaAldrich.com/services-plans

| Item | Catalogue Number | Description | PM/Critical/Other | Frequency | Field Service Required | 200 L | 2000 L |
|------|------------------|--|-------------------|-----------------|----------------------------|-------|--------|
| #PM1 | SPKGENELC045 | Rittal filter mat SK 3171.100 pack of 5 | PM | Every 12 months | No | | X |
| #PM2 | SPKGENELC046 | Rittal filter mat SK 3322.700 pack of 5 | PM | Every 12 months | No | X | |
| #1 | SPKGENELC019 | Rittal ebox fan SK 3238.124 | Critical | As required | No | X | |
| #2 | SPKGEN003 | Rittal ebox fan SK 3239.124 | Critical | As required | No | | X |
| #3 | SPKIPBINS001 | Hamilton EasyFerm Bio HB Arc 225 pH1 | Critical | As required | No | X | X |
| #4 | SPKIPBINS002 | Hamilton EasyFerm Bio HB Arc 225 pH2 | Critical | As required | No | X | X |
| #5 | SPKIPBINS021 | Hamilton Arc Module SU pH1 | Critical | As required | No | X | X |
| #6 | SPKIPBINS022 | Hamilton Arc Module SU pH2 | Critical | As required | No | X | X |
| #7 | SPKIPBINS003 | Hamilton VisiFerm RS485-ECS 225 H0 DO1 | Critical | As required | No | X | X |
| #8 | SPKIPBINS004 | Hamilton VisiFerm RS485-ECS 225 H0 DO2 | Critical | As required | No | X | X |
| #9 | SPKIPBINS023 | Hamilton VisiFerm SU RS485-ECS 120 DO1 | Critical | As required | No | X | X |
| #10 | SPKIPBINS024 | Hamilton VisiFerm SU RS485-ECS 120 DO2 | Critical | As required | No | X | X |
| #11 | SPKIPBINS005 | Hamilton CO2NTROL RS485 225 | Critical | As required | No | X | X |
| #12 | SPKIPBINS006 | Hamilton Arc Module Incyte-P SU | Critical | As required | No | X | X |
| #13 | SPKIPBINS007 | Hamilton Incyte Arc Expert 220 | Critical | As required | No | X | X |
| #14 | SPKIPBINS008 | Jumo PT-100 Temperature Probe | Critical | As required | For Installation and Setup | X | X |
| 15 | SPKIPBINS009 | 1 m Data Cable VP8/M12 | Critical | As required | No | X | |
| 16 | SPKIPBINS025 | 3 m Data Cable VP8/M12 | Critical | As required | No | | X |
| #B1 | SPKIPBINS012 | 200 L SU pH1 Holder | Critical | As required | No | X | |
| #B2 | SPKIPBINS013 | 200 L SU pH2 Holder | Critical | As required | No | X | |
| #B3 | SPKIPBINS014 | 200 L SU DO1 & DO2 Holder | Critical | As required | No | X | |
| #B4 | SPKIPBINS015 | 200 L MU DO1 & DO2 Holder | Critical | As required | No | X | |
| #B5 | SPKIPBINS016 | 200 L SU VCD Holder | Critical | As required | No | X | |
| #B6 | SPKIPBINS017 | 200L MU Holder | Critical | As required | No | X | |
| #B7 | SPKIPBINS018 | 200 L Procellics™Holder | Critical | As required | No | X | |
| #B8 | SPKIPBINS019 | 200 L MAST® Holder | Critical | As required | No | X | |
| #B9 | SPKIPBINS020 | 200 L Kit for Holder Shelves | Critical | As required | No | X | |
| B10 | SPKIPBINS010 | 200 L Interlock Pressure Sensor Cable | Critical | As required | No | X | |
| #E1 | SPKIPBINS026 | 2000 L SU pH1 Holder | Critical | As required | No | | X |
| #E2 | SPKIPBINS027 | 2000 L SU pH2 Holder | Critical | As required | No | | X |
| #E3 | SPKIPBINS028 | 2000 L SU DO1 & DO2 Holder | Critical | As required | No | | X |
| #E4 | SPKIPBINS029 | 2000 L MU DO1 & DO2 Holder | Critical | As required | No | | X |
| #E5 | SPKIPBINS030 | 2000 L SU VCD Holder | Critical | As required | No | | X |
| #E6 | SPKIPBINS031 | 2000 L MU Holder | Critical | As required | No | | X |
| #E7 | SPKIPBINS032 | 2000 L Procellics™Holder | Critical | As required | No | | X |
| #E8 | SPKIPBINS033 | 2000 L MAST® Holder | Critical | As required | No | | X |
| #E9 | SPKIPBINS034 | 2000 L Kit for Holder Shelves | Critical | As required | No | | X |
| E10 | SPKIPBINS035 | 2000 L Interlock Pressure Sensor Cable | Critical | As required | No | | X |
| #17 | MIXSST0109442 | Quick-Connect Coupling Male 3/4" NPT | Critical | As required | No | X | X |
| #18 | MIXSST0109441 | Quick-Connect Coupling Female 3/4" NPT | Critical | As required | No | X | X |
| #19 | SPKHPI001GEN | Quick-Connect Coupling Male w/ 1.5 in TC | Critical | As required | No | X | X |
| #20 | SPKGENAUT009 | Wago Fieldbus Coupler EtherNet/IP | Critical | As required | For Installation | X | X |
| #21 | SPKGENELC035 | Wago 24 V 10 A Power Supply | Critical | As required | For Installation | X | X |
| #22 | SPKGENAUT008 | Wago Serial Interface RS232/RS486 | Critical | As required | For Installation | X | X |
| #23 | SPKGENAUT001 | Wago Potential Distribution Card | Critical | As required | For Installation | X | X |
| #24 | SPKGENELC040 | Wago Power Supply 24 V/5-15 VDC | Critical | As required | For Installation | X | X |
| #25 | SPKGENAUT002 | Wago 8-Channel Digital Input Card | Critical | As required | For Installation | X | X |
| #26 | SPKGENAUT006 | Wago 1-Channel Analog Input Card | Critical | As required | For Installation | X | X |

Note: Unless stated otherwise, default quantity (qty) is 1; you may need to order multiple units, based on your requirements.

Symbols indicate the part is illustrated in this document

| Item | Catalogue Number | Description | PM/Critical/Other | Frequency | Field Service Required | 200 L | 2000 L |
|------|-------------------|--|-------------------|-------------|----------------------------|-------|--------|
| #27 | SPKGENAUT005 | Wago 2-Channel Analog Input Card | Critical | As required | For Installation | X | X |
| #28 | SPKGENAUT003 | Wago 8-Channel Digital Output Card | Critical | As required | For Installation | X | X |
| #29 | SPKGENAUT004 | Wago 4-Channel Analog Output Card | Critical | As required | For Installation | X | X |
| #30 | SPKGENAUT010 | Wago 16-Channel Digital Output Card | Critical | As required | For Installation | X | X |
| #31 | SPKGENAUT007 | Wago End Module | Critical | As required | For Installation | X | X |
| #32 | SPKGENAUT011 | Wago 4-channel Analog Input Adjust Card | Critical | As required | For Installation and Setup | X | X |
| #33 | SPKGENINS020 | Mettler ACT350 PDX ethernet/IP | Critical | As required | For Installation and Setup | X | X |
| #34 | SPKCRSINS002 | Feed Flowmeter LFSC-i16x-001 | Critical | As required | No | X | |
| #35 | SPKCRSINS003 | Feed Flowmeter LFSC-i25x-001 | Critical | As required | For installation and setup | | X |
| #36 | SPKCRSPMP003 | Speed Controller LPC-2000.4-04 | Critical | As required | For Installation | | X |
| #37 | SPKIPBTNK001 | Levitronix® mixer controller LC325P | Critical | As required | For Installation | X | |
| #38 | SPKIPBTNK002 | Mixer controller LPC-4000S.3-12 | Critical | As required | For Installation | | X |
| #39 | SPKCRSINS007 | LFC-1C-PC Leviflow Converter | Critical | As required | No | X | X |
| 40 | Please contact us | Inter skid Power Cord 5G2.5 2 m 3Ph | Critical | As required | No | X | |
| 41 | Please contact us | Inter skid Power Cord 5G2.5 3 m 3Ph | Critical | As required | No | | X |
| 42 | Please contact us | Inter Skid Power Cord 5G2.5 2 m DC | Critical | As required | No | X | |
| 43 | Please contact us | Inter Skid Power Cord 5G2.5 3 m DC | Critical | As required | No | | X |
| 44 | Please contact us | Control St Power cord 5G2.5 7 m DC | Critical | As required | No | X | X |
| 45 | Please contact us | Power cord without plug 5G2.5 5 m | Critical | As required | No | X | |
| 46 | Please contact us | Power cord without plug 5G4 5 m | Critical | As required | No | | X |
| 47 | SPKIPBAUT001 | Interskid Ethernet cable 2 m | Critical | As required | No | X | |
| 48 | SPKIPBELC008 | Interskid Ethernet cable 3 m | Critical | As required | No | | X |
| 49 | SPKIPBAUT002 | Interskid Ethernet cable 7 m | Critical | As required | No | X | X |
| 50 | SPKGENELC024 | TCU cable for Lauda Variocool | Critical | As required | No | X | X |
| 51 | SPKGENINS025 | Levitronix® Flowmeter Cable M12 0.9 m | Critical | As required | No | X | X |
| 52 | SPKGENINS008 | Levitronix® LeviFlow 0.1 m intcn cable | Critical | As required | No | X | X |
| 53 | SPKGENINS027 | Pendotech pressure sensor 1 ft ext cable | Critical | As required | No | X | X |
| #54 | SPKGENELC016 | Phoenix 24 V 20 A Power supply | Critical | As required | No | X | X |
| #55 | SPKGENELC025 | Phoenix 24 V 10 A Power supply | Critical | As required | No | X | X |
| #56 | SPKGENELC023 | Phoenix 100–240 Vac/48 Vdc 10 A Power supp | Critical | As required | No | X | X |
| #57 | SPKGENELC038 | Fuse IEC gG 10x38 500 VAC 10 A qty 3 | Critical | As required | No | X | X |
| #58 | SPKGENELC041 | Fuse IEC gG 10x38 500 VAC 8 A qty 3 | Critical | As required | No | X | |
| #59 | SPKGENELC039 | Fuse IEC gG 10x38 500 VAC 6 A qty 3 | Critical | As required | No | X | |
| #60 | SPKGENELC033 | Fuse UL class J T/D 600 VAC 10 A qty 3 | Critical | As required | No | X | |
| #61 | SPKGENELC028 | Socomec Fuser Bloc IEC 10X38 3+NC 25A | Critical | As required | For Installation | X | X |
| #62 | SPKGENELC029 | Socomec Fuser Bloc UL 3P+N 30 A | Critical | As required | For Installation | X | X |
| #63 | SPKGENELC042 | Schneider Fuseholder IEC 10x38 3P+N 32 A | Critical | As required | For Installation | X | X |
| #64 | SPKGENELC050 | Fuse UL class J T/D 600 VAC 20 A qty 3 | Critical | As required | No | | X |
| #65 | SPKGENELC030 | Fuse IEC gG 10x38 500 VAC 16 A qty 3 | Critical | As required | No | | X |
| #66 | SPKGENELC047 | Fuse IEC gG 10x38 500 VAC 20 A qty 3 | Critical | As required | No | | X |
| #67 | SPKIPBELC004 | Vent Filter Heater 1 m R03157X4 | Critical | As required | No | X | X |
| #68 | SPKGENINS021 | Mettler module SLB605D 220 kg C3 M12 | Critical | As required | For Installation | X | |
| #69 | SPKGENINS038 | Mettler module SLB605D 2200 kg C3 M12 | Critical | As required | For Installation | | X |
| #70 | SPKHW000015 | Jacking tool for SWB505/605 Size 2—Mettler | Critical | As required | No | X | X |
| #71 | SPKHPI113BRX | Burkert 6013 solenoid valve | Critical | As required | For Installation | X | X |
| #72 | SPKGENVLV009 | Burkert 3-way Valve 330 Series | Critical | As required | For Installation | X | |
| #73 | SPKGENPNE002 | Burkert 6027 solenoid valve | Critical | As required | For Installation | | X |
| #74 | SPKIPBINS036 | MFC Brooks SLA5850 5 slpm | Critical | As required | For Installation and Setup | X | |
| #75 | SPKIPBINS037 | MFC Brooks SLA5850 10 slpm | Critical | As required | For Installation and Setup | X | |

Note: Unless stated otherwise, default quantity (qty) is 1; you may need to order multiple units, based on your requirements.

Symbols indicate the part is visible in this document

| Item | Catalogue Number | Description | PM/Critical/Other | Frequency | Field Service Required | 200 L | 2000 L |
|------|------------------|---|-------------------|-------------|----------------------------|-------|--------|
| #76 | SPKIPBINS038 | MFC Brooks SLA5850 20 slpm | Critical | As required | For Installation and Setup | X | X |
| #77 | SPKIPBINS011 | MFC Brooks SLA5850 50 slpm | Critical | As required | For Installation and Setup | X | X |
| #78 | SPKIPBINS039 | MFC Brooks SLA5851 100 slpm | Critical | As required | For Installation and Setup | | |
| #79 | SPKIPBINS040 | MFC Brooks SLA5853 200 slpm | Critical | As required | For Installation and Setup | | X |
| #80 | SPKGENINS039 | IFM IGS236 inductive sensor | Critical | As required | For Installation | | X |
| #81 | SPKGENINS040 | IFM MK5102 T-slot cylinder sensor | Critical | As required | For Installation | | X |
| #82 | SPKGENPMP008 | WM Pump Head 313DW2 BLACK ONYX | Critical | As required | No | X | |
| #83 | SPKGENPMP011 | WM Pump Head 313DW BLACK ONYX | Critical | As required | No | X | X |
| #84 | SPKGENPMP010 | 48 Vdc Drivesure for WM500 with gaskets | Critical | As required | For Installation | X | X |
| #85 | SPKHPK123BRX | WM Pump Head 520R | Critical | As required | No | X | |
| #86 | SPKGENPMP009 | WM Pump Head 520R2 | Critical | As required | No | | X |
| #87 | SPKGENPMP013 | 48 Vdc Drivesure for WM300 with gaskets | Critical | As required | For Installation | X | X |
| #88 | SPKHPK125BRX | 620R Pump Head Spare Parts Kit | Critical | As required | No | X | X |
| #89 | SPKHPK126BRX | 720R Pump Head Spare Parts Kit | Critical | As required | No | | X |
| #90 | SPKGENPMP012 | Anaheim Speed Controller MDC151-050601 | Critical | As required | For Installation and Setup | X | X |
| #91 | SPKIPBPMP001 | Perfusion Feed Pump IPD-600.1 | Critical | As required | For installation | X | |
| #92 | SPKGENPMP007 | Feed Pump LPM-2000.7-10 | Critical | As required | For installation | | X |
| #93 | SPKGENTNK001 | Levitronix® 1200 W mixer motor BSM-4.7-30 | Critical | As required | For Installation | X | |
| #94 | SPKGENTNK002 | Levitronix® mixer motor mixer LPM-10K.1 | Critical | As required | For Installation | | X |
| #OT1 | SPKIPBAUT003 | External I/O Murr Node | Other | As required | For Installation | X | X |
| #OT2 | SPKIPBELC005 | Lighting M | Other | As required | No | X | X |

Note: Unless stated otherwise, default quantity (qty) is 1; you may need to order multiple units, based on your requirements.

Symbols indicate the part is visible in this document

Kits

Kits for 200 L

Items to order for single-use pH and DO instruments

| Qty | Item | Cat. No. | Description |
|-----|------|--------------|--|
| 1x | #5 | SPKIPBINS021 | Hamilton Arc Module SU pH1 |
| 1x | #6 | SPKIPBINS022 | Hamilton Arc Module SU pH2 |
| 1x | #9 | SPKIPBINS023 | Hamilton VisiFerm SU RS485-ECS 120 DO1 |
| 1x | #10 | SPKIPBINS024 | Hamilton VisiFerm SU RS485-ECS 120 DO2 |
| 4x | 15 | SPKIPBINS009 | 1 m Data Cable VP8/M12 |
| 1x | #B1 | SPKIPBINS012 | 200 L SU pH1 Holder |
| 1x | #B2 | SPKIPBINS013 | 200 L SU pH2 Holder |
| 1x | #B3 | SPKIPBINS014 | 200 L SU DO1 & DO2 Holder |

Items to order for multi-use pH and DO instruments

| Qty | Item | Cat. No. | Description |
|-----|------|--------------|--|
| 1x | #3 | SPKIPBINS001 | Hamilton EasyFerm Bio HB Arc 225 pH1 |
| 1x | #4 | SPKIPBINS002 | Hamilton EasyFerm Bio HB Arc 225 pH2 |
| 1x | #7 | SPKIPBINS003 | Hamilton VisiFerm RS485-ECS 225 H0 DO1 |
| 1x | #8 | SPKIPBINS004 | Hamilton VisiFerm RS485-ECS 225 H0 DO2 |
| 4x | 15 | SPKIPBINS009 | 1 m Data Cable VP8/M12 |
| 1x | #B4 | SPKIPBINS015 | 200 L MU DO1 & DO2 Holder |
| 2x | #B6 | SPKIPBINS017 | 200 L MU Holder |

Items to order for VCD single-use

| Qty | Item | Cat. No. | Description |
|-----|------|--------------|---------------------------------|
| 1x | #12 | SPKIPBINS006 | Hamilton Arc Module Incyte-P SU |
| 1x | 15 | SPKIPBINS009 | 1 m Data Cable VP8/M12 |
| 1x | #B5 | SPKIPBINS016 | 200 L SU VCD Holder |

Items to order for VCD multi-use

| Qty | Item | Cat. No. | Description |
|-----|------|--------------|--------------------------------|
| 1x | #13 | SPKIPBINS007 | Hamilton Incyte Arc Expert 220 |
| 1x | 15 | SPKIPBINS009 | 1 m Data Cable VP8/M12 |
| 1x | #B6 | SPKIPBINS017 | 200 L MU Holder |

Items to order for pCO₂

| Qty | Item | Cat. No. | Description |
|-----|------|--------------|-----------------------------|
| 1x | #11 | SPKIPBINS005 | Hamilton CO2NTROL RS485 225 |
| 1x | 15 | SPKIPBINS009 | 1 m Data Cable VP8/M12 |
| 1x | #B6 | SPKIPBINS017 | 200 L MU Holder |

Kits for 2000 L

Items to order for single-use pH & DO instruments

| Qty | Item | Cat. No. | Description |
|-----|------|--------------|--|
| 1x | #5 | SPKIPBINS021 | Hamilton Arc Module SU pH1 |
| 1x | #6 | SPKIPBINS022 | Hamilton Arc Module SU pH2 |
| 1x | #9 | SPKIPBINS023 | Hamilton VisiFerm SU RS485-ECS 120 DO1 |
| 1x | #10 | SPKIPBINS024 | Hamilton VisiFerm SU RS485-ECS 120 DO2 |
| 4x | 16 | SPKIPBINS025 | 3 m Data Cable VP8/M12 |
| 1x | #E1 | SPKIPBINS026 | 2000 L SU pH1 Holder |
| 1x | #E2 | SPKIPBINS027 | 2000 L SU pH2 Holder |
| 1x | #E3 | SPKIPBINS028 | 2000 L SU DO1 & DO2 Holder |

Items to order for multi-use pH & DO instruments

| Qty | Item | Cat. No. | Description |
|-----|------|--------------|--|
| 1x | #3 | SPKIPBINS001 | Hamilton EasyFerm Bio HB Arc 225 pH1 |
| 1x | #4 | SPKIPBINS002 | Hamilton EasyFerm Bio HB Arc 225 pH2 |
| 1x | #7 | SPKIPBINS003 | Hamilton VisiFerm RS485-ECS 225 H0 DO1 |
| 1x | #8 | SPKIPBINS004 | Hamilton VisiFerm RS485-ECS 225 H0 DO2 |
| 4x | 16 | SPKIPBINS025 | 3 m Data Cable VP8/M12 |
| 1x | #E4 | SPKIPBINS029 | 2000 L MU DO1 & DO2 Holder |
| 2x | #E6 | SPKIPBINS031 | 2000 L MU Holder |

Items to order for VCD single-use

| Qty | Item | Cat. No. | Description |
|-----|------|--------------|---------------------------------|
| 1x | #12 | SPKIPBINS006 | Hamilton Arc Module Incyte-P SU |
| 1x | 16 | SPKIPBINS025 | 3 m Data Cable VP8/M12 |
| 1x | #E5 | SPKIPBINS030 | 2000 L SU VCD Holder |

Items to order for VCD multi-use

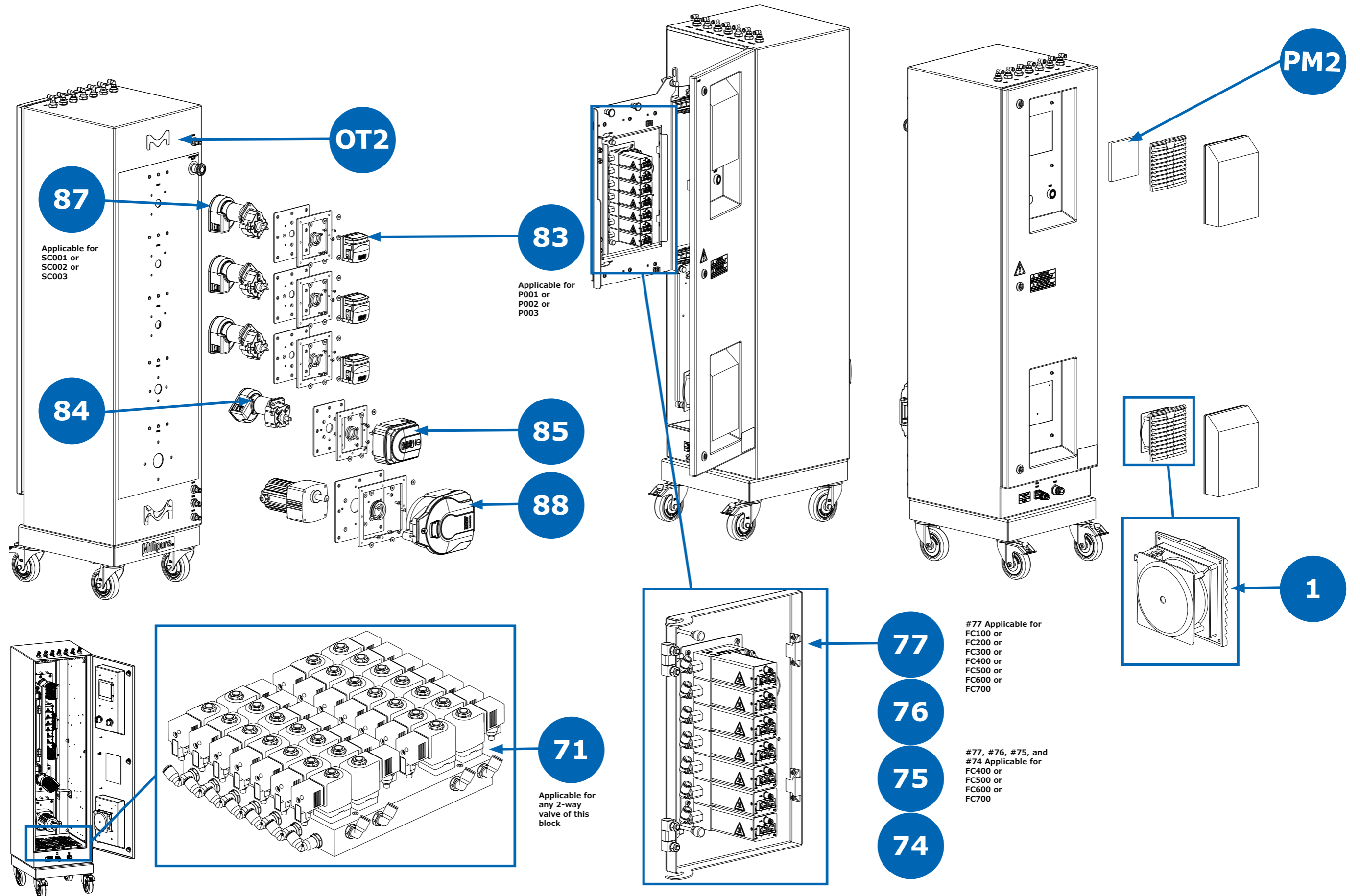
| Qty | Item | Cat. No. | Description |
|-----|------|--------------|--------------------------------|
| 1x | #13 | SPKIPBINS007 | Hamilton Incyte Arc Expert 220 |
| 1x | 16 | SPKIPBINS025 | 3 m Data Cable VP8/M12 |
| 1x | #E6 | SPKIPBINS031 | 2000 L MU Holder |

Items to order for pCO₂

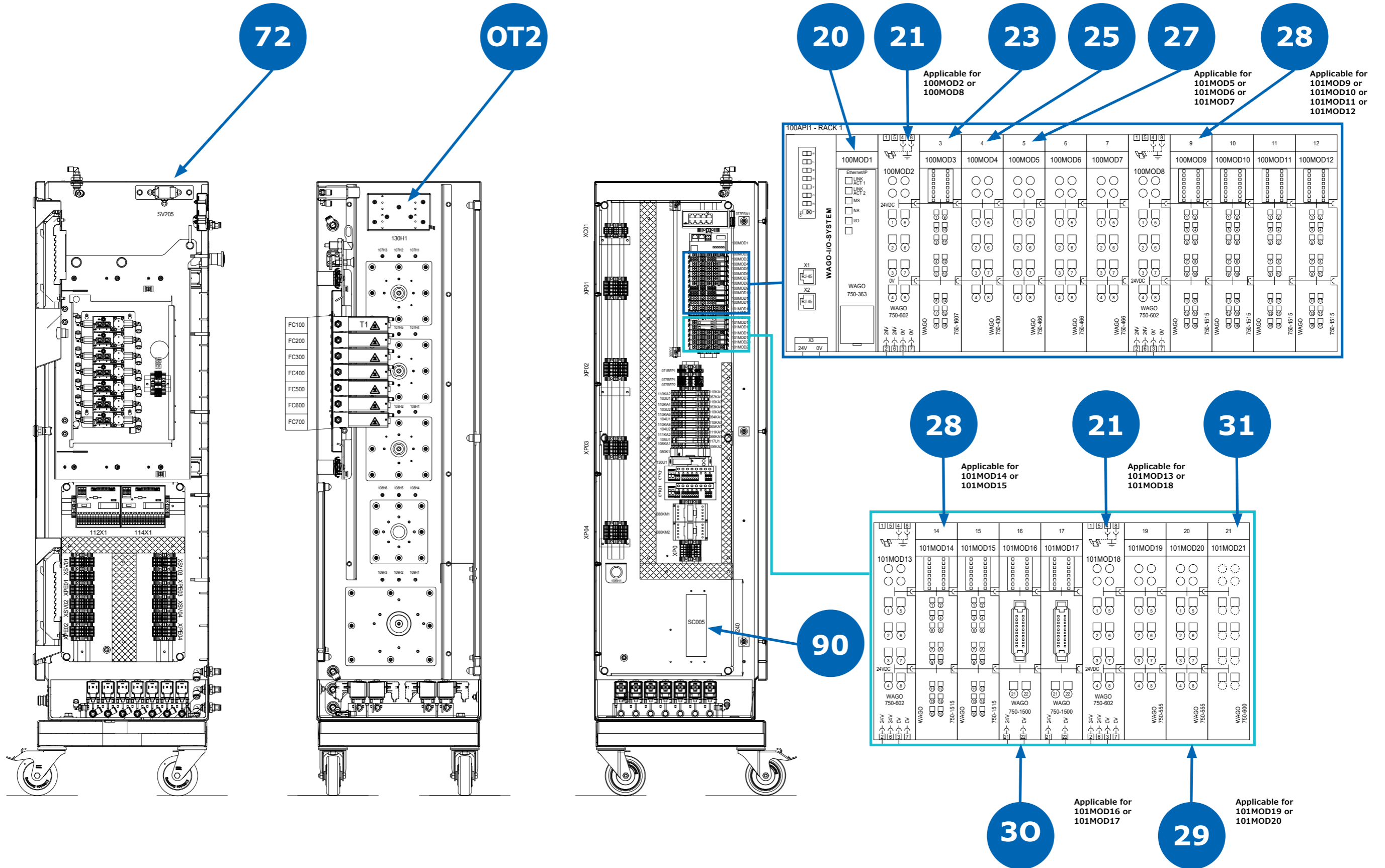
| Qty | Item | Cat. No. | Description |
|-----|------|--------------|-----------------------------|
| 1x | #11 | SPKIPBINS005 | Hamilton CO2NTROL RS485 225 |
| 1x | 16 | SPKIPBINS025 | 3 m Data Cable VP8/M12 |
| 1x | #E6 | SPKIPBINS031 | 2000 L MU Holder |

Fed-Batch Tower Spare Parts

200 L

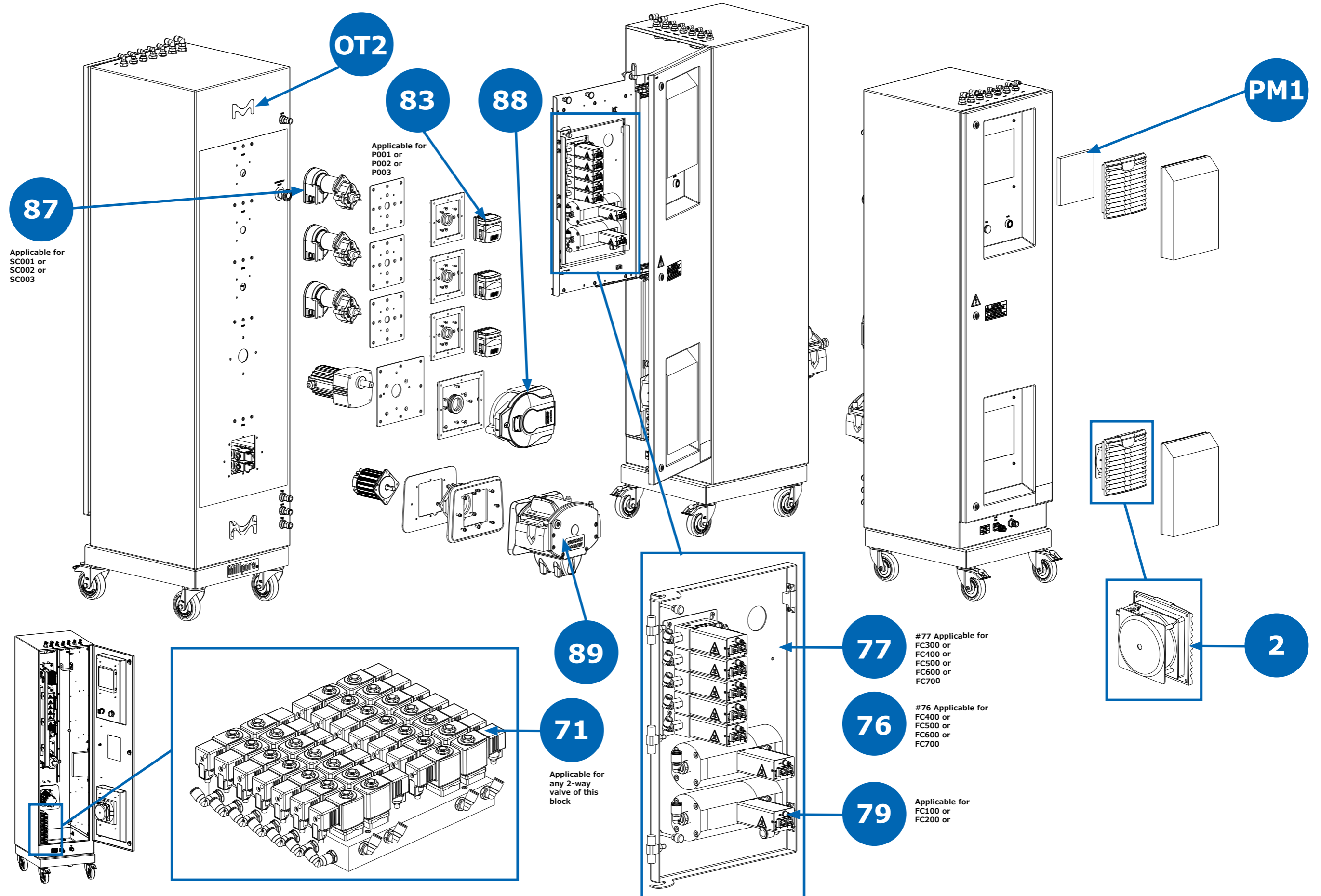


200 L (Continued)

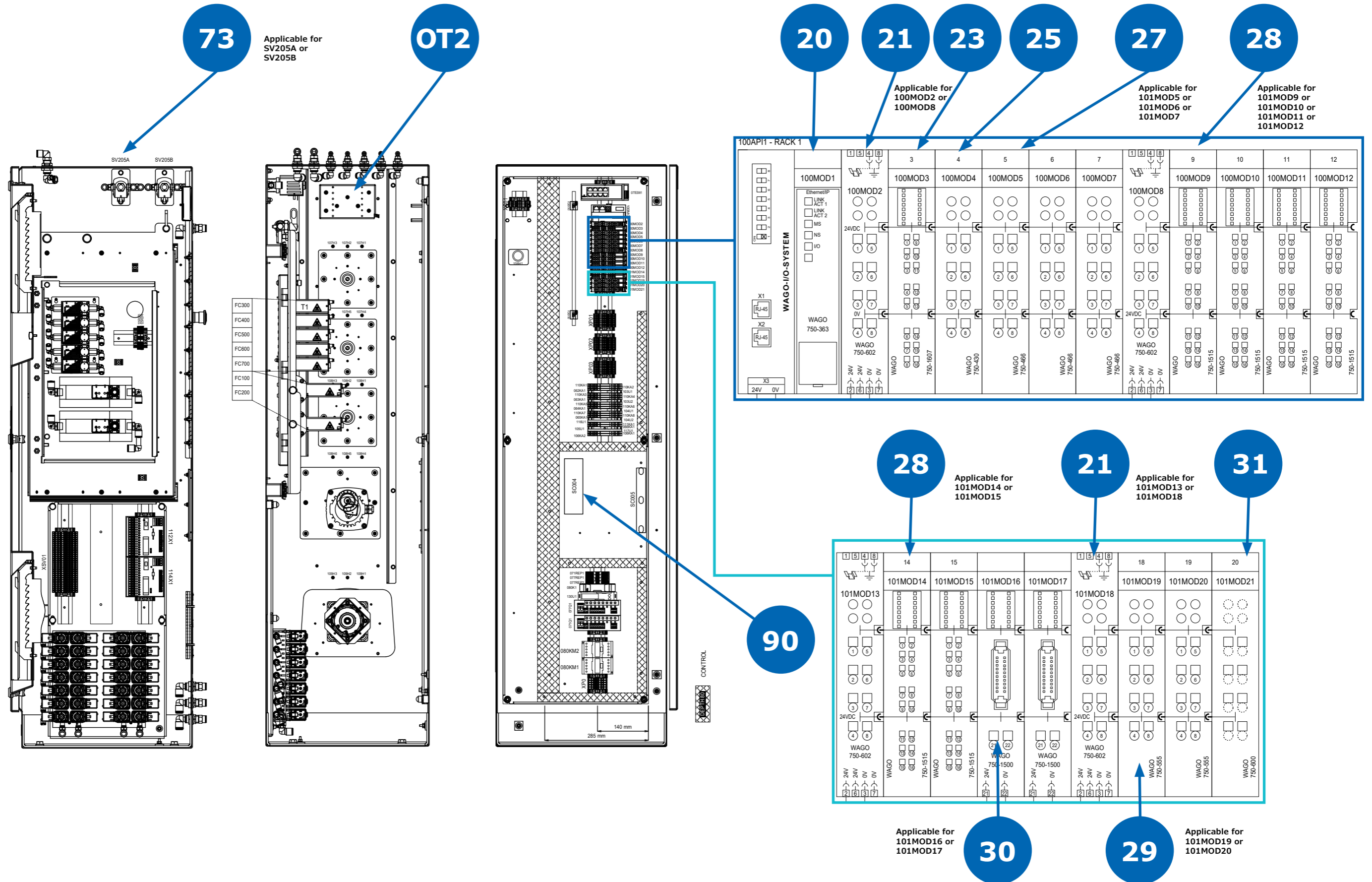


Fed-Batch Tower Spare Parts

2000 L

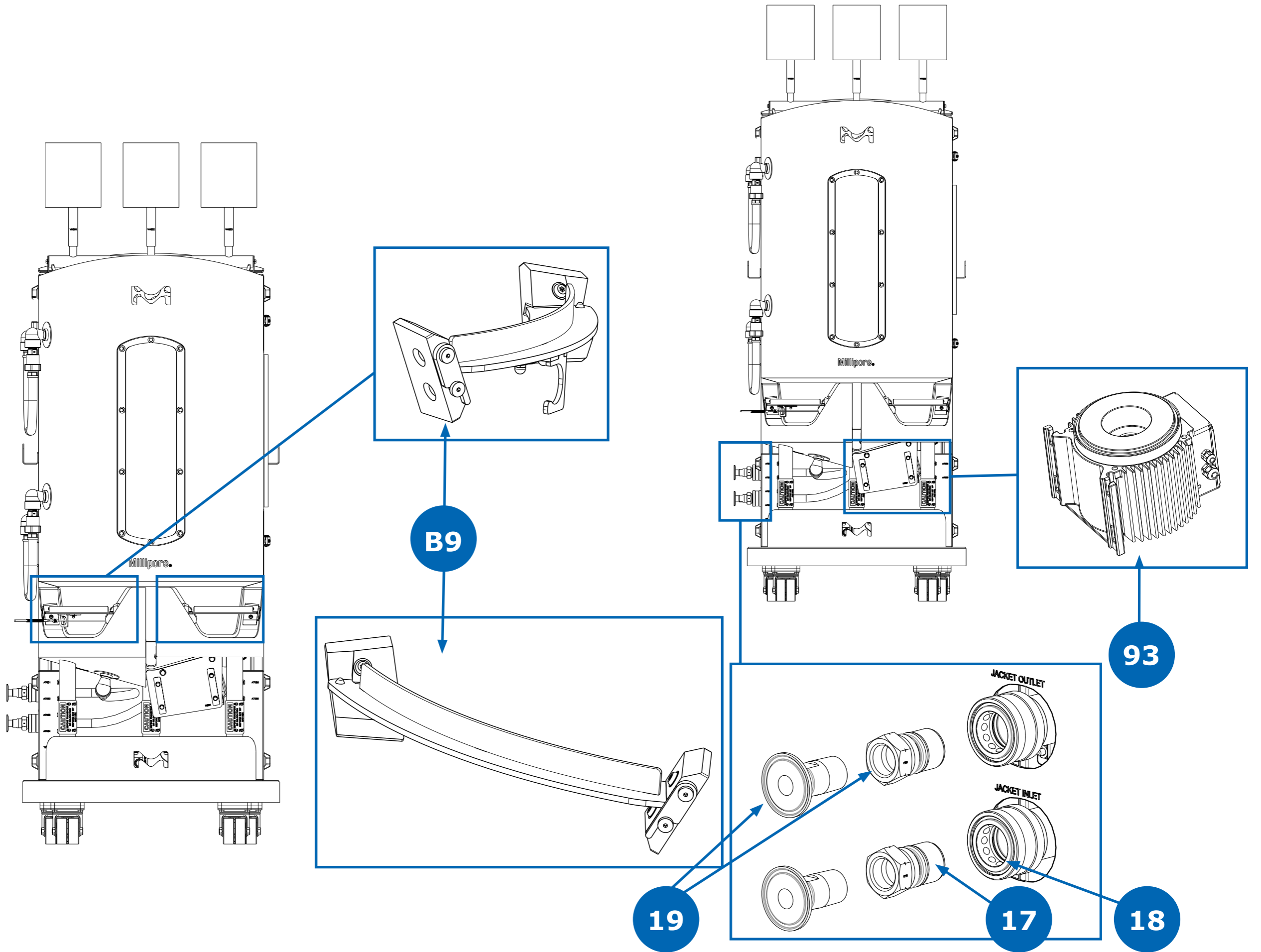


2000 L (Continued)



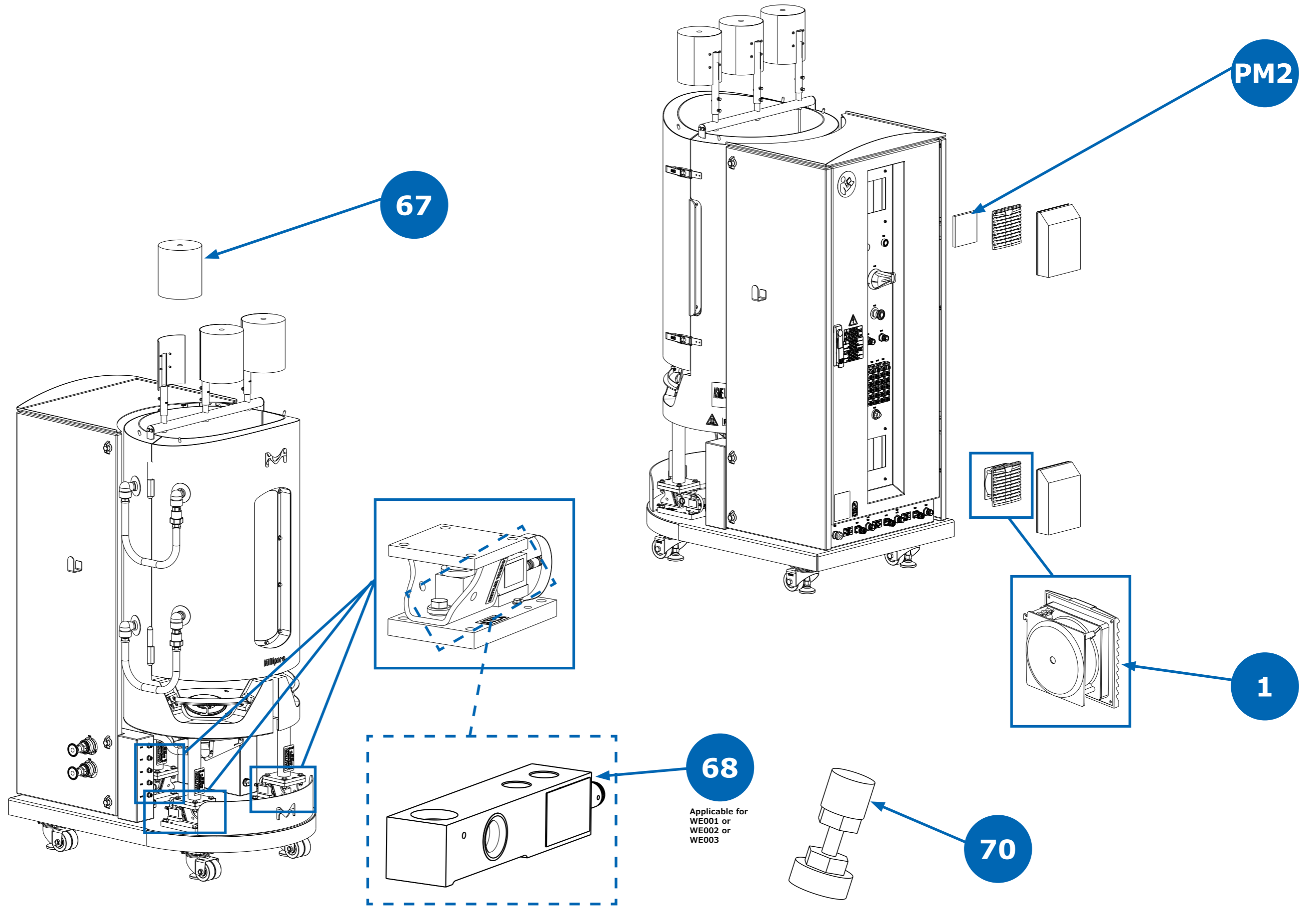
Bioreactor Vessel Spare Parts

200 L



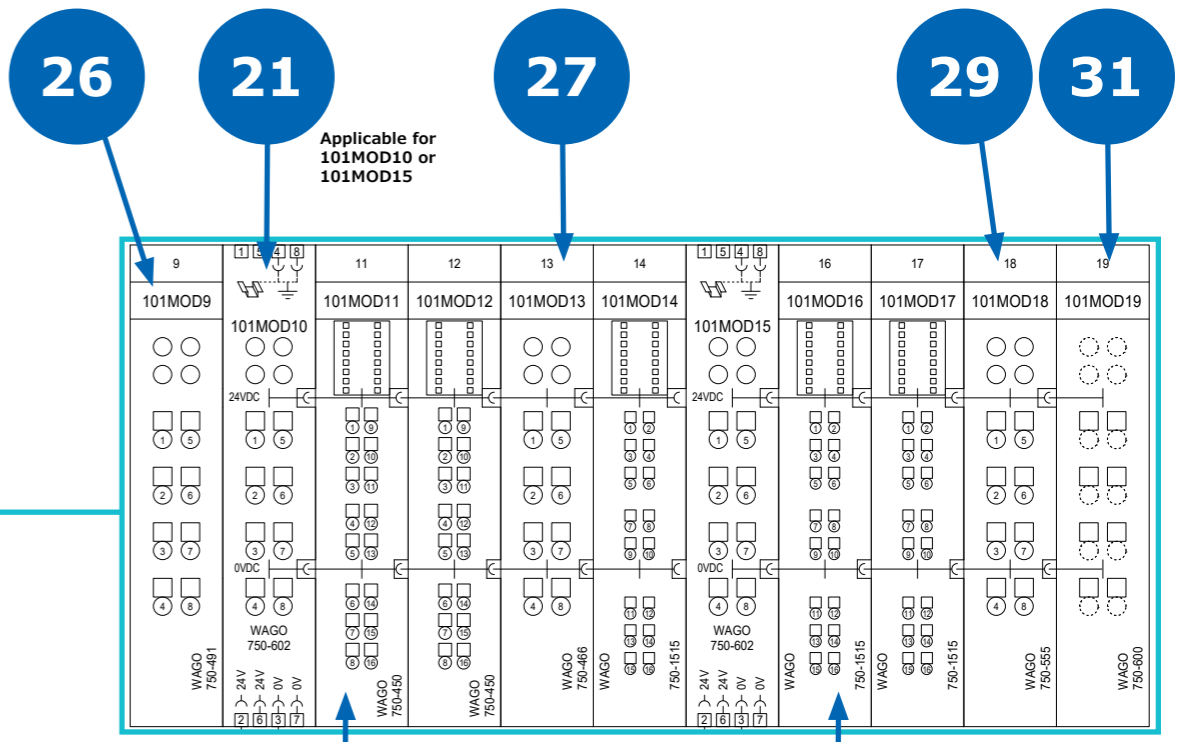
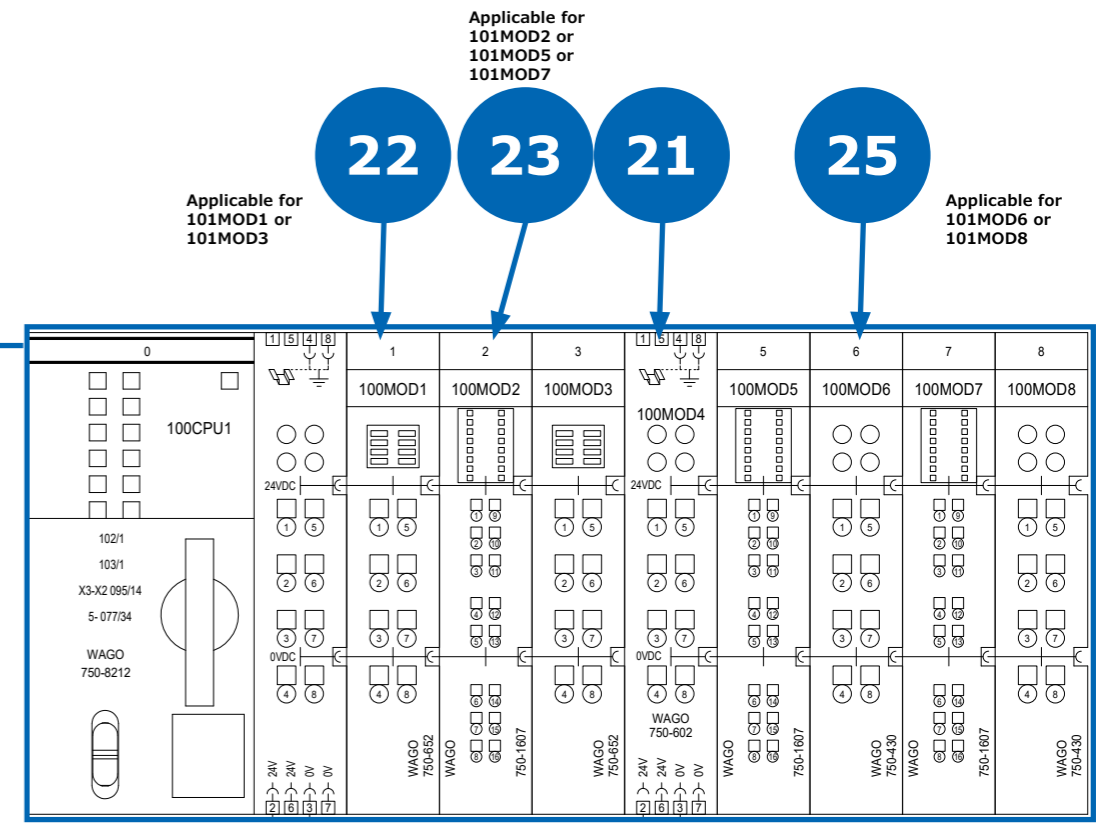
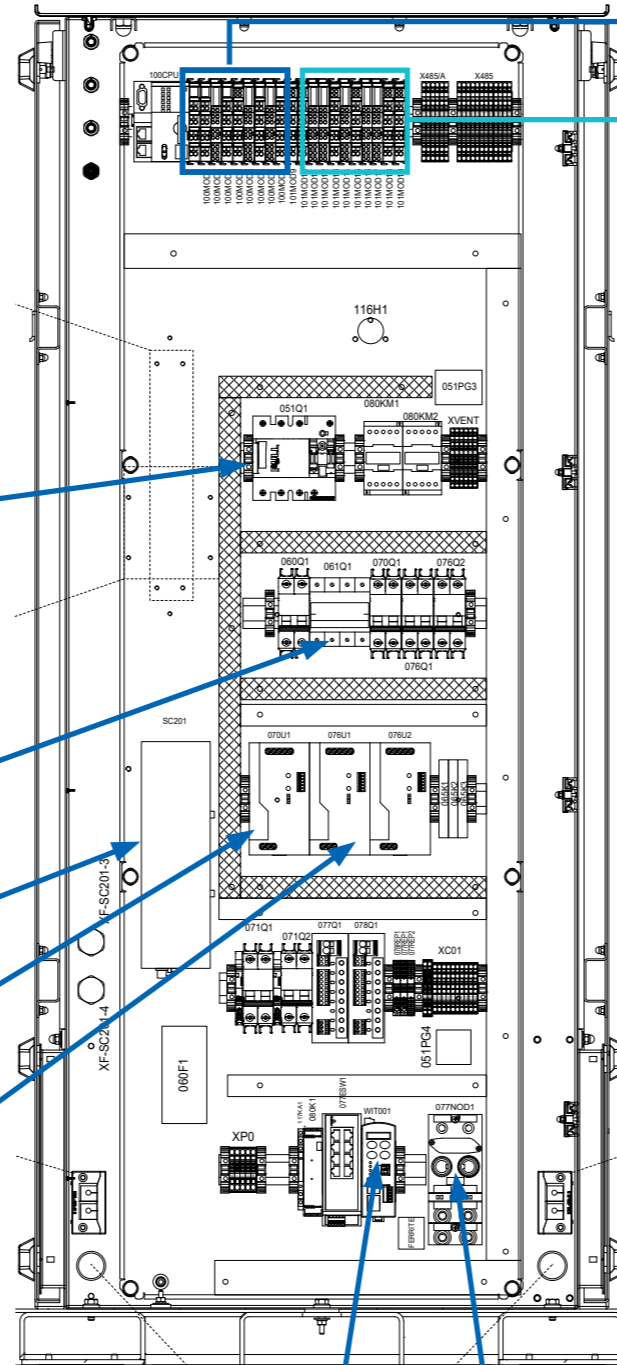
#19 includes #17

200 L (Continued)



200 L (Continued)

- 62
- 61
- 60
- 58
- 57
- 59
- 63
- 37
- 56
- 54

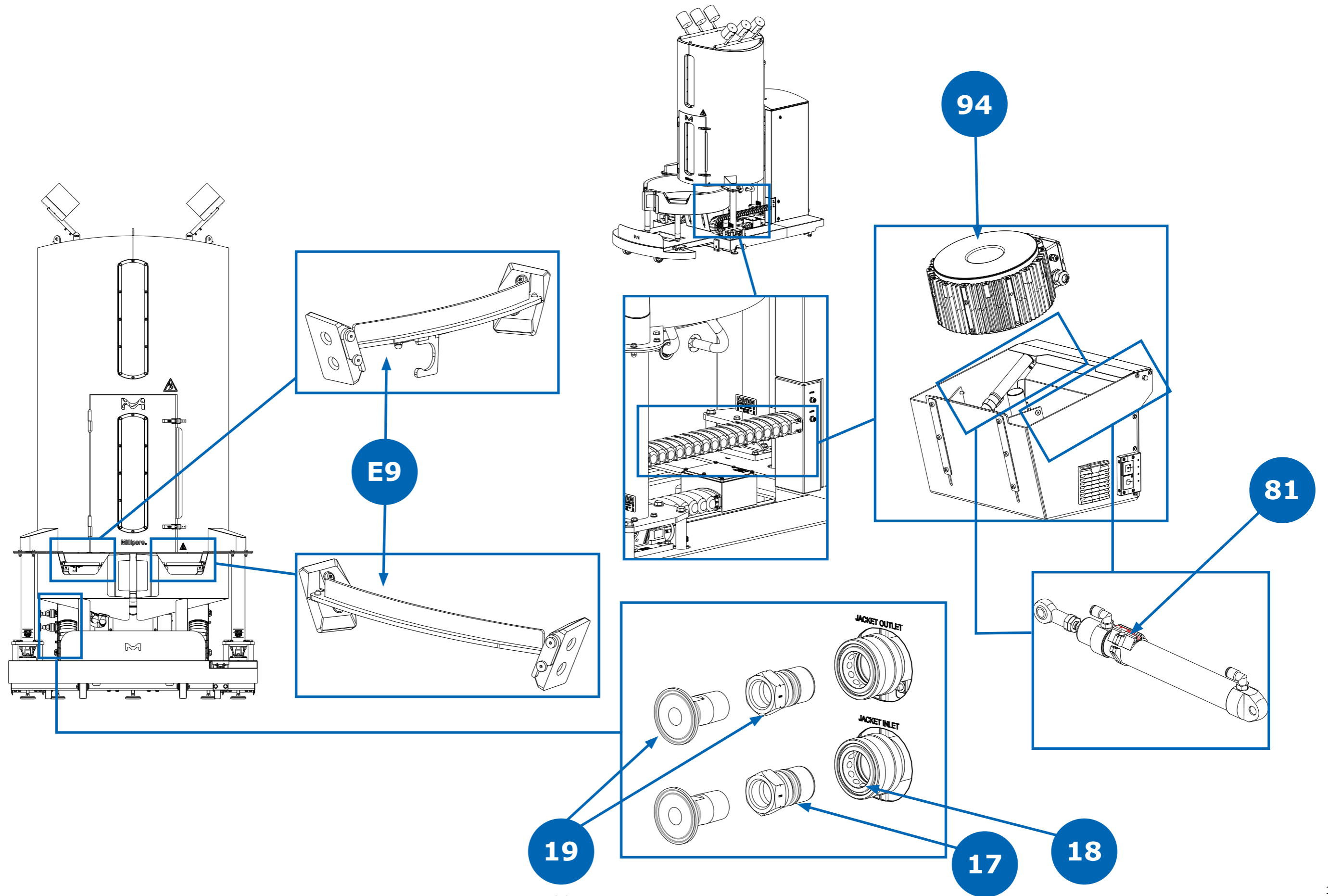


- 33
- OT1

- Applicable for 101MOD11 or 101MOD12
- Applicable for 101MOD14 or 101MOD16 or 101MOD17

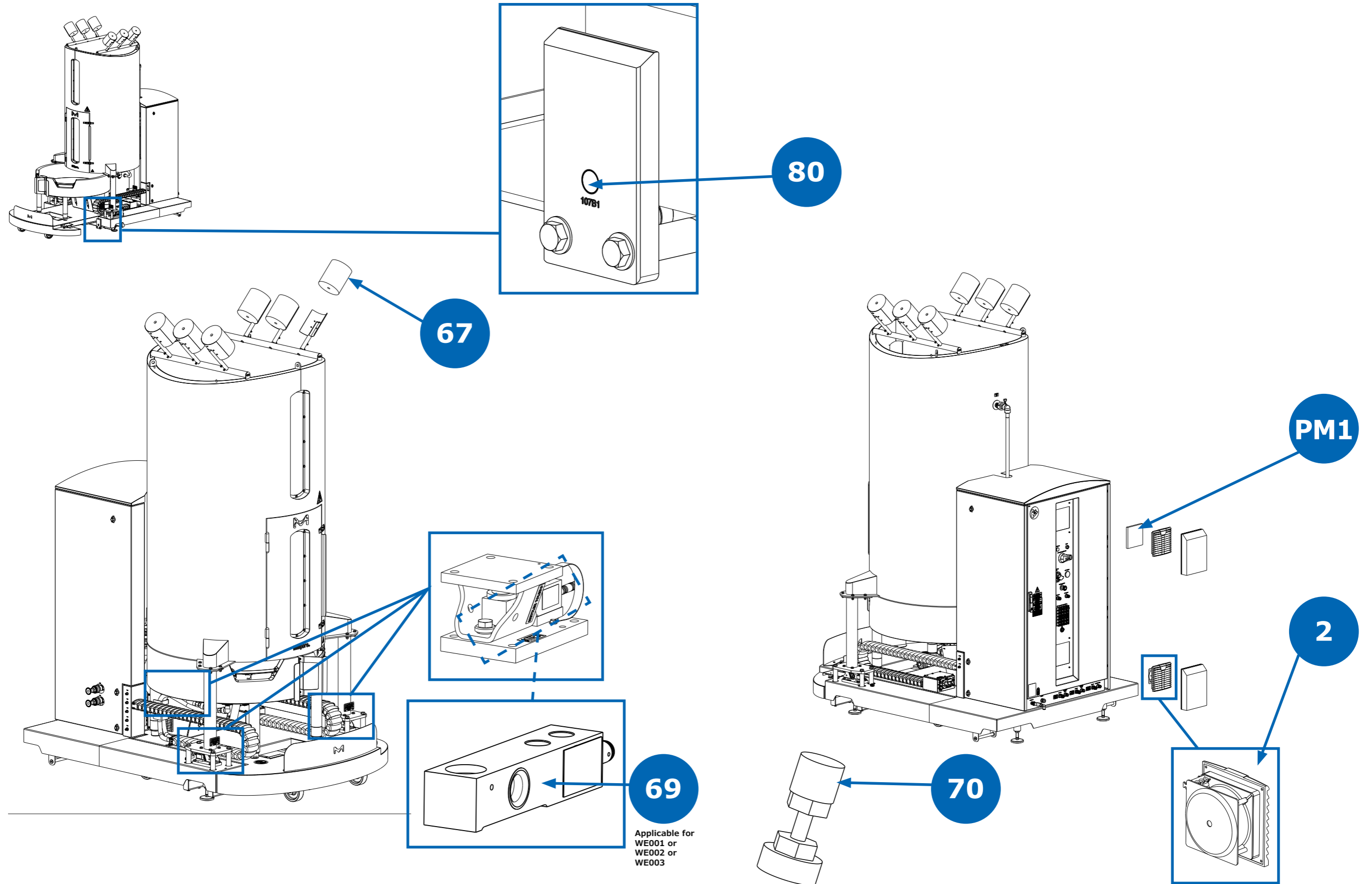
Bioreactor Vessel Spare Parts

2000 L



#19 includes #17

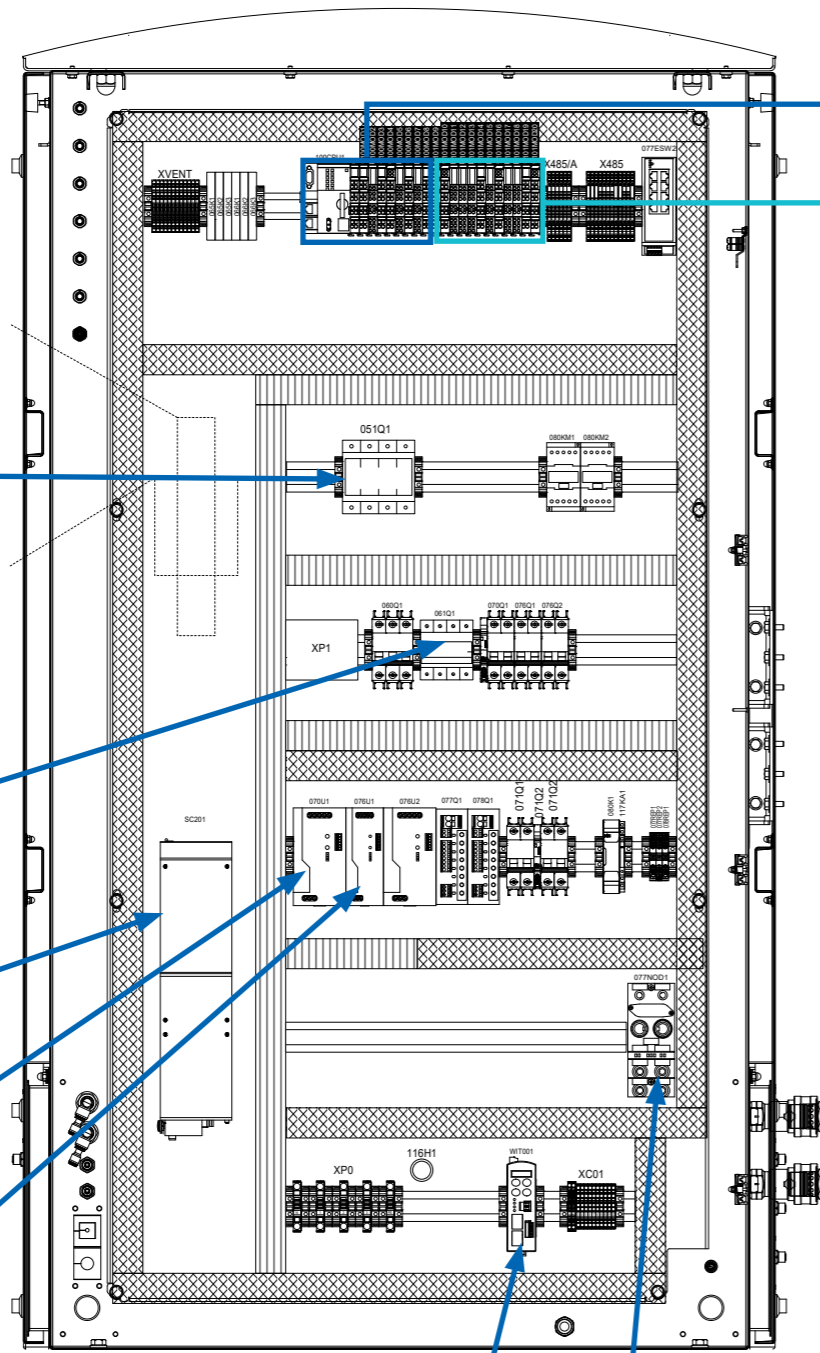
2000 L (Continued)



2000 L (Continued)

- 57
- 66
- 64
- 62
- 61
- 65
- 63
- 38
- 56
- 54

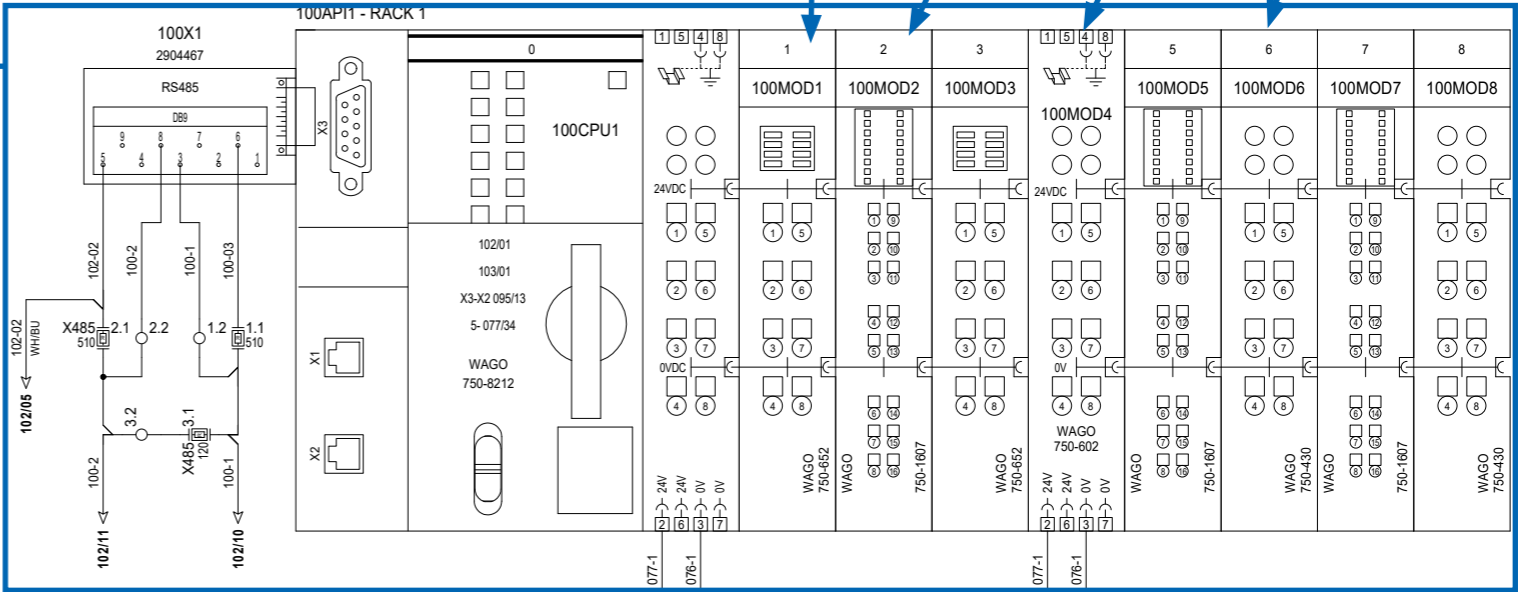
Applicable for 076U1 or 076U2



- 33
- OT1

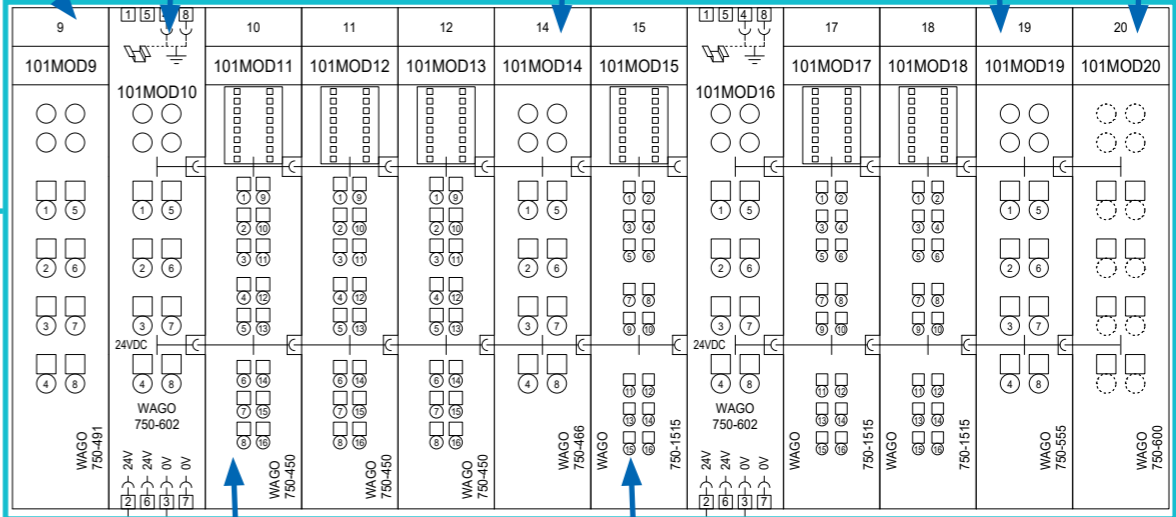
- 22
- 23
- 21
- 25

Applicable for 101MOD1 or 101MOD3
 Applicable for 101MOD2 or 101MOD5 or 101MOD7
 Applicable for 101MOD6 or 101MOD8



- 26
- 21
- 27
- 29
- 31

Applicable for 101MOD10 or 101MOD16



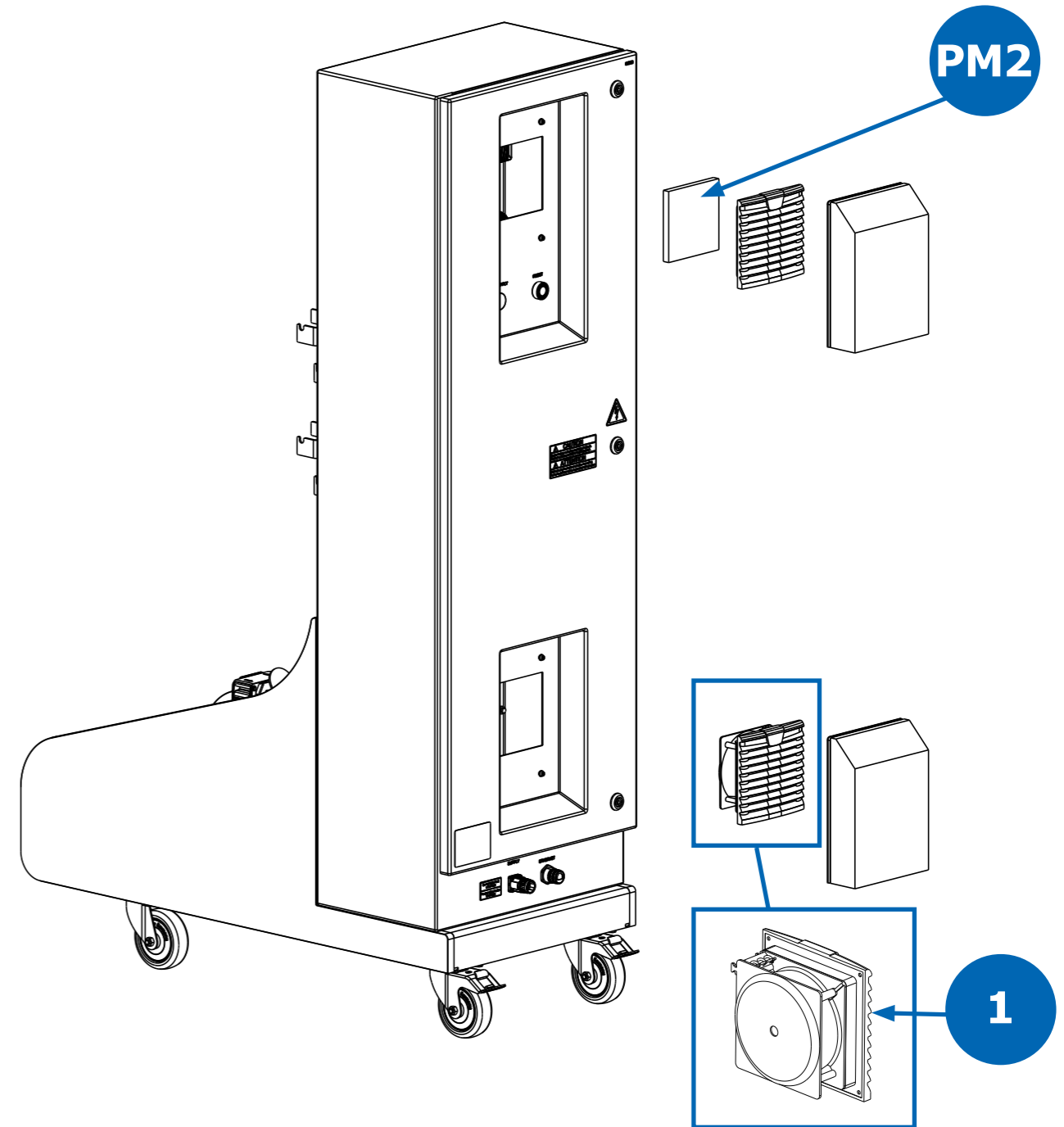
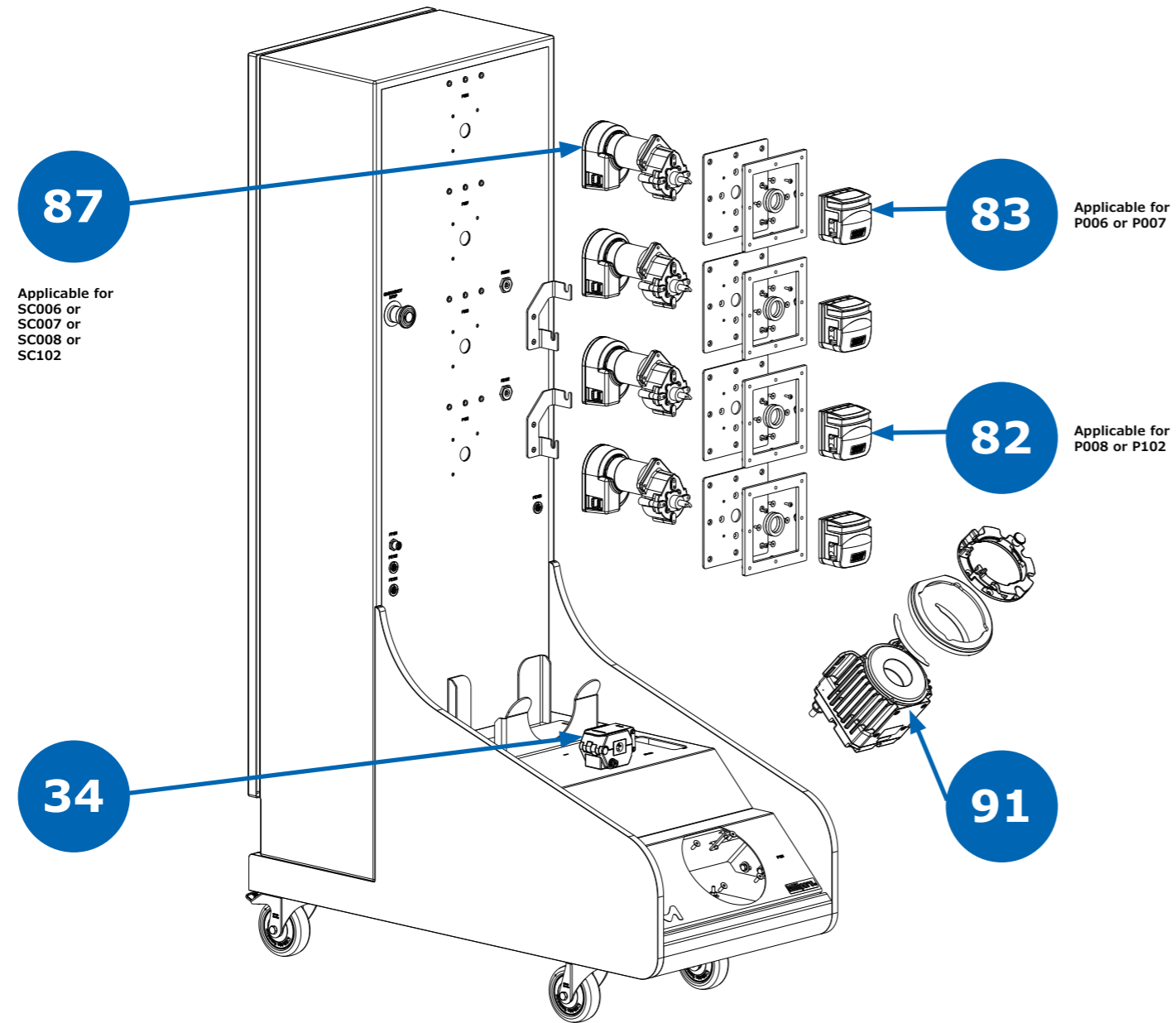
- 32
- 28

Applicable for 101MOD11 or 101MOD12 or 101MOD13

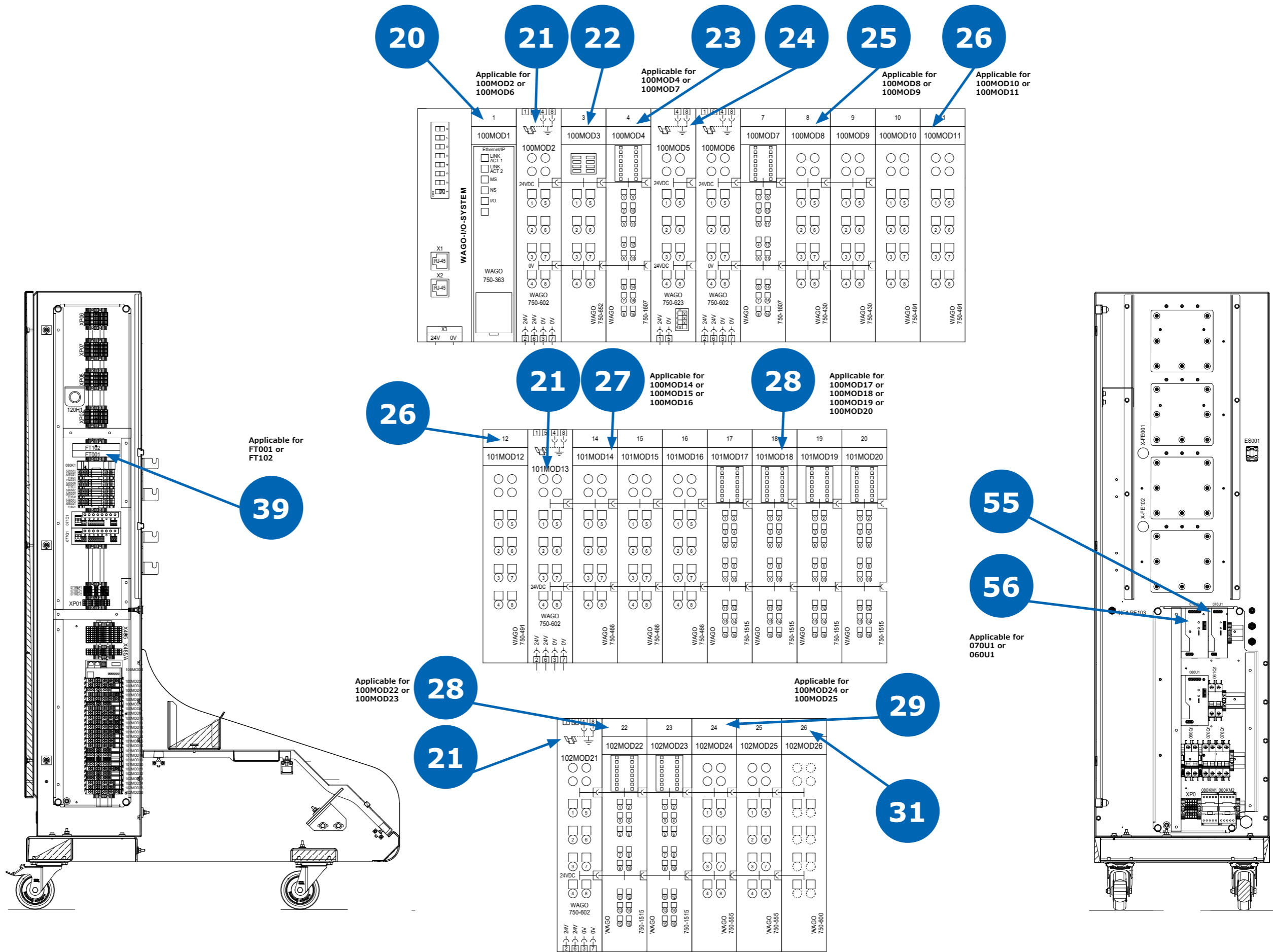
Applicable for 101MOD15 or 101MOD17 or 101MOD18

Perfusion Tower Spare Parts

200 L

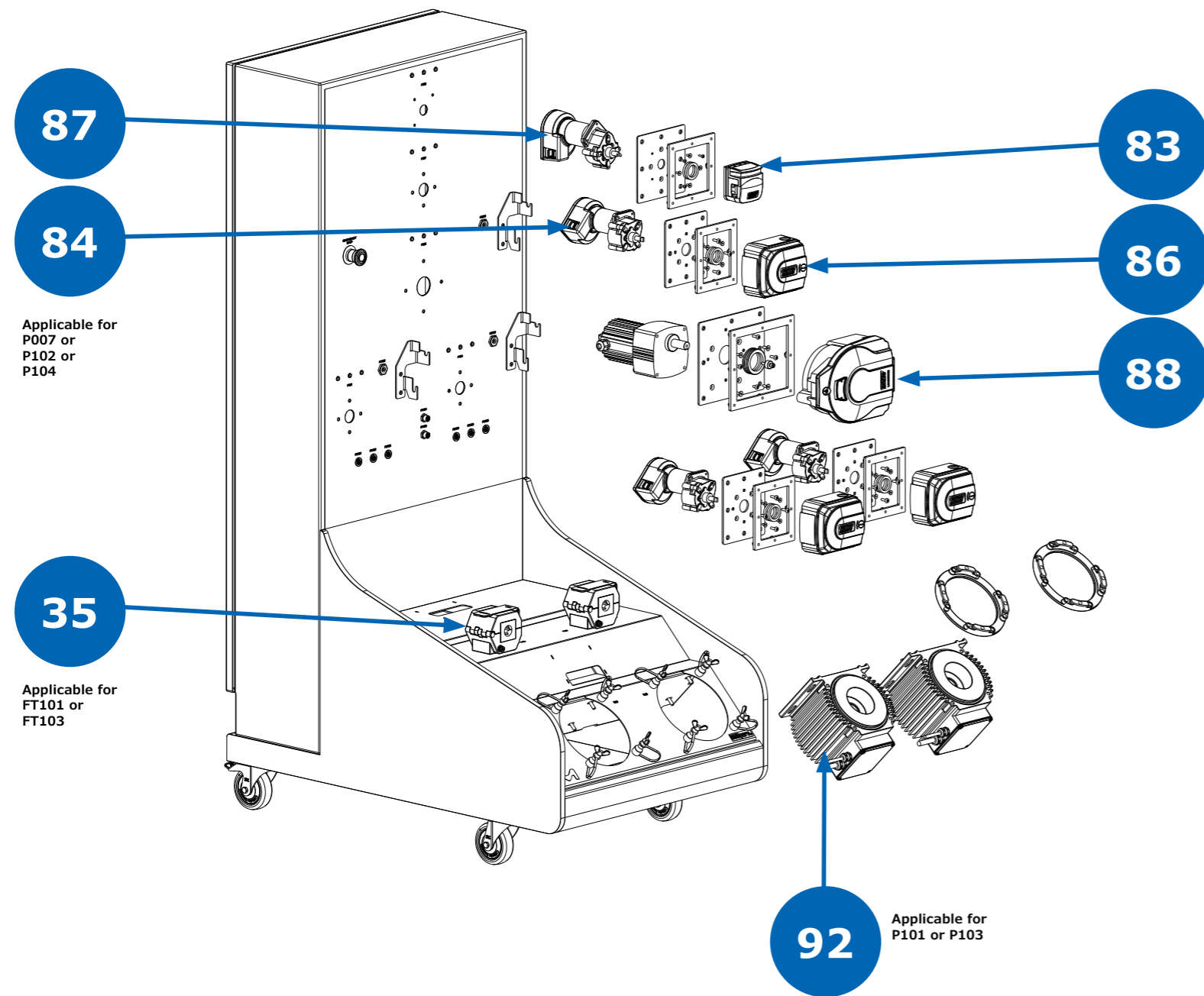


200 L (Continued)

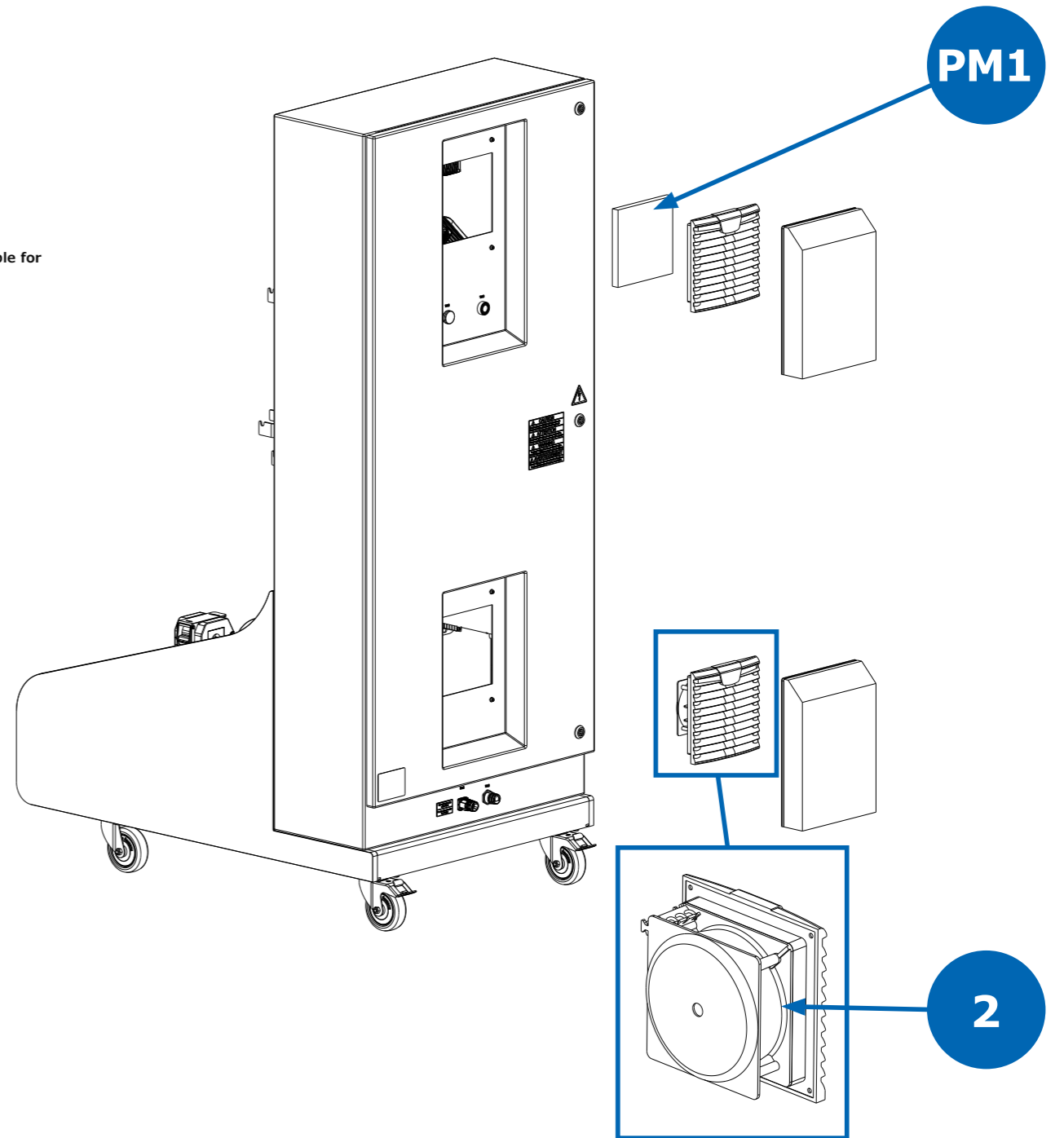


Perfusion Tower Spare Parts

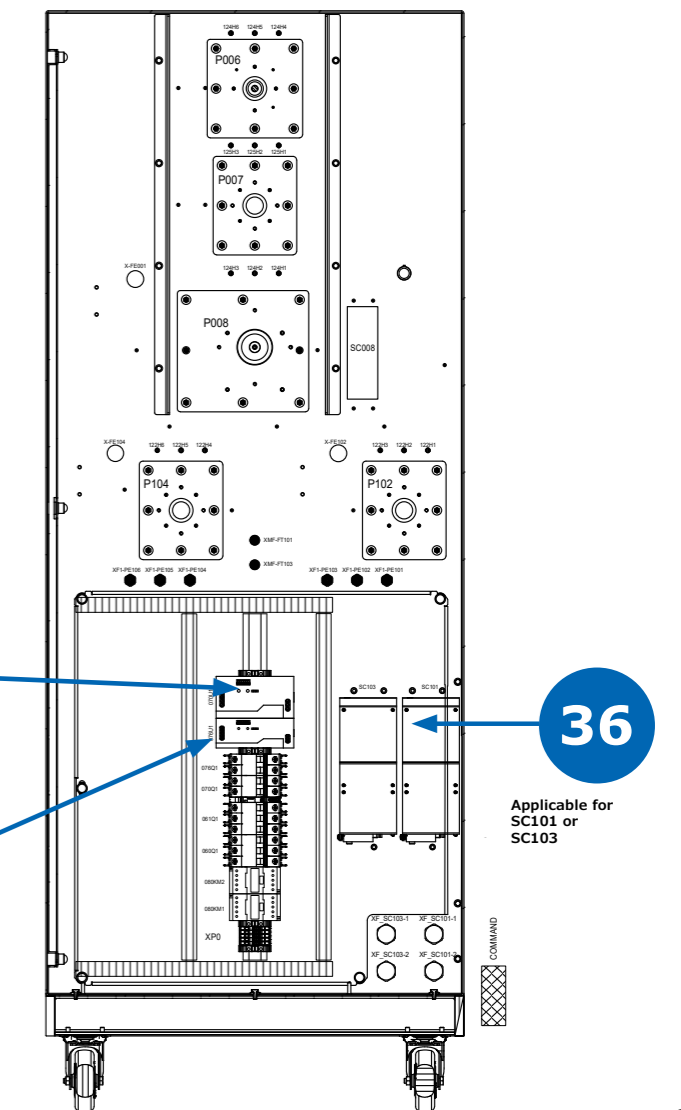
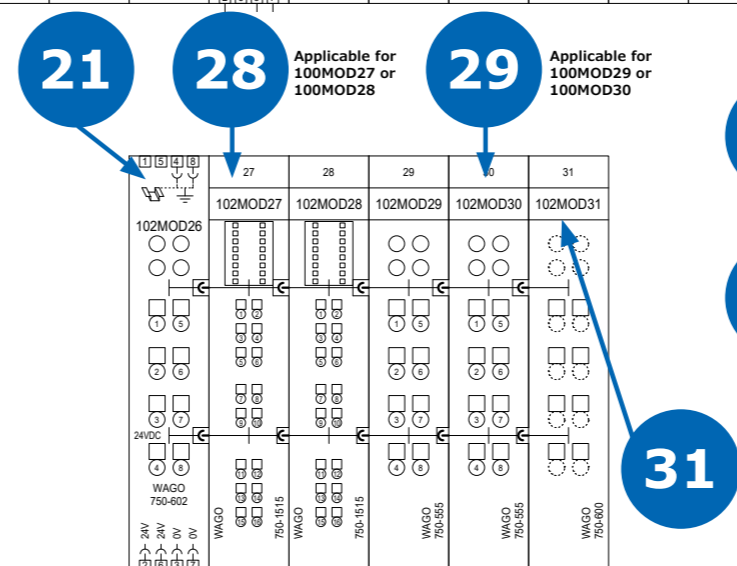
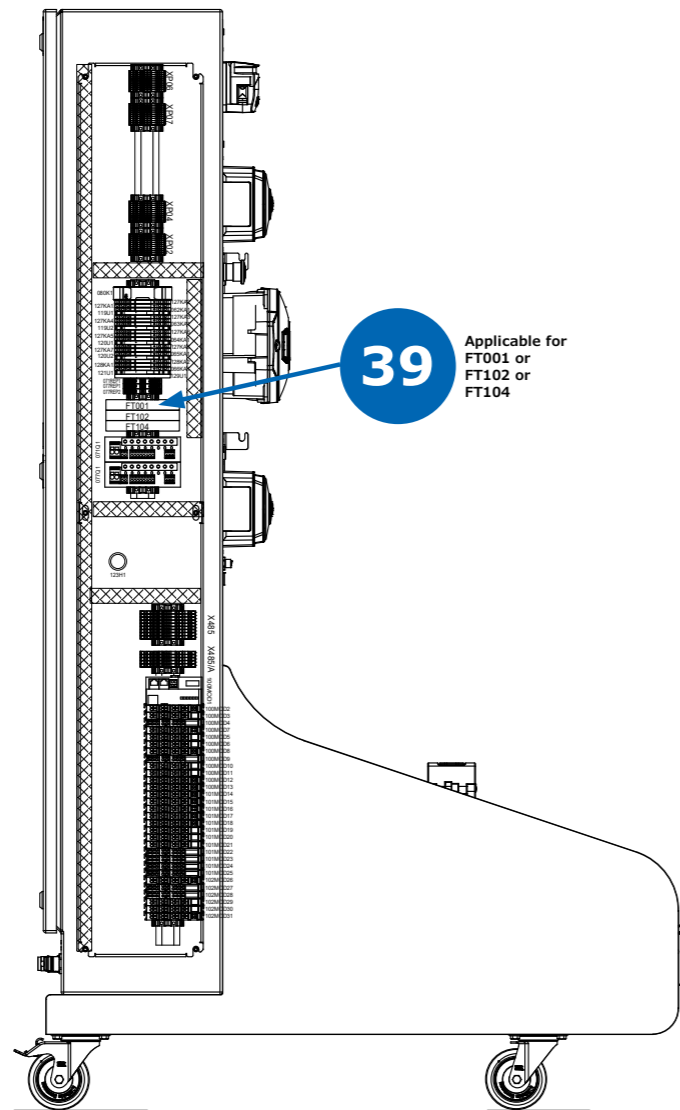
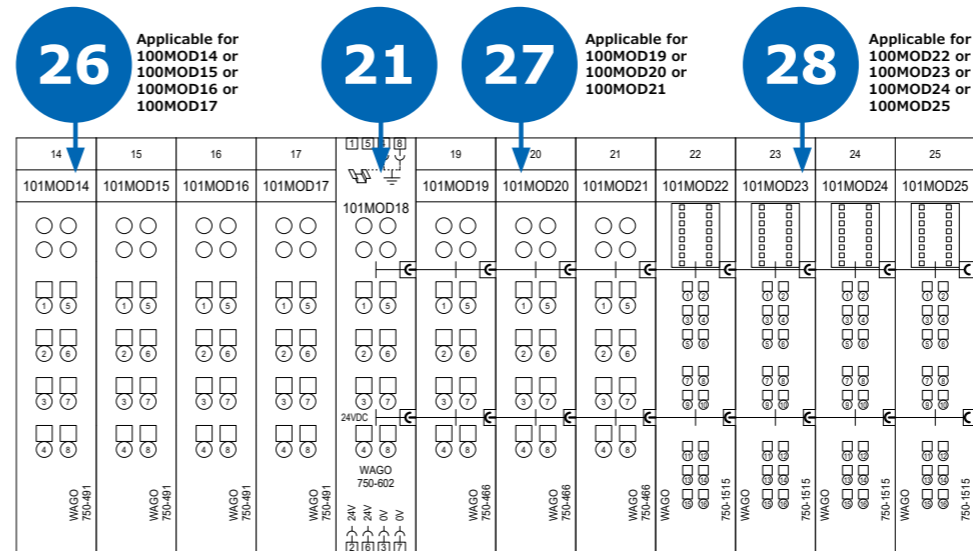
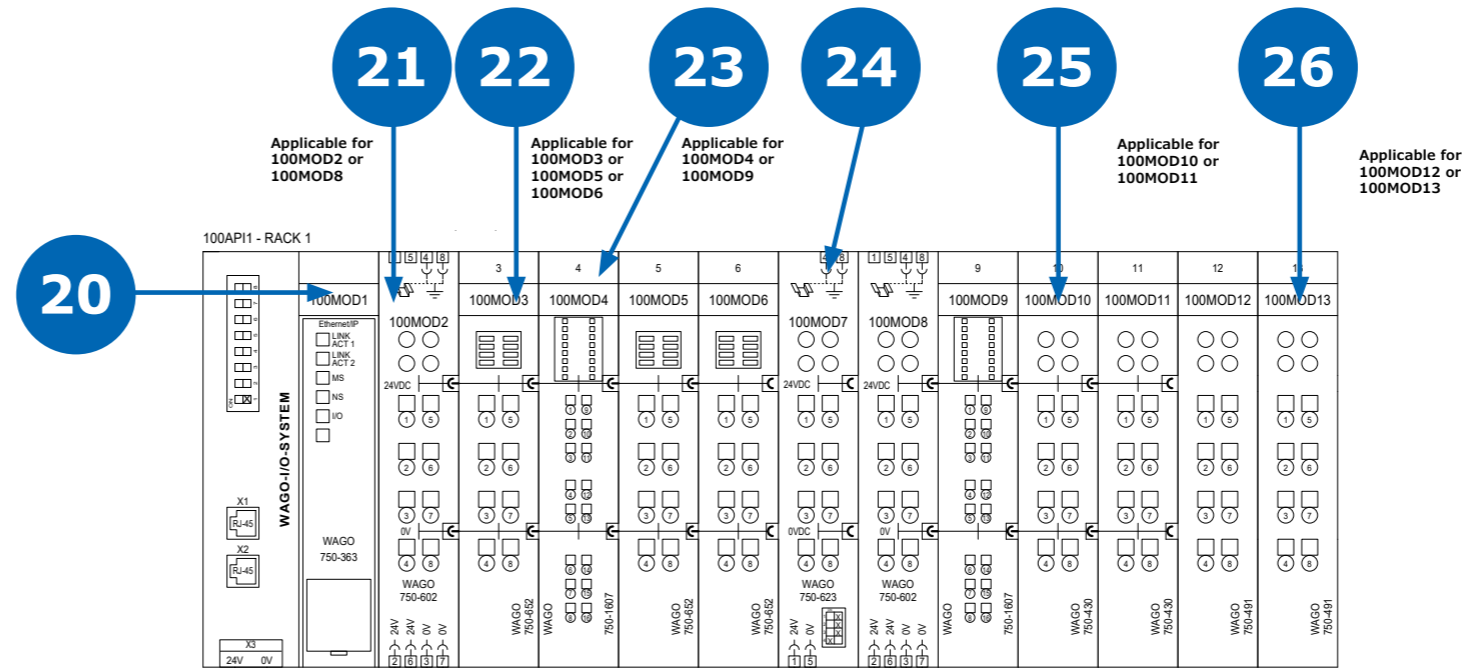
2000 L



Applicable for P007 or P102 or P104

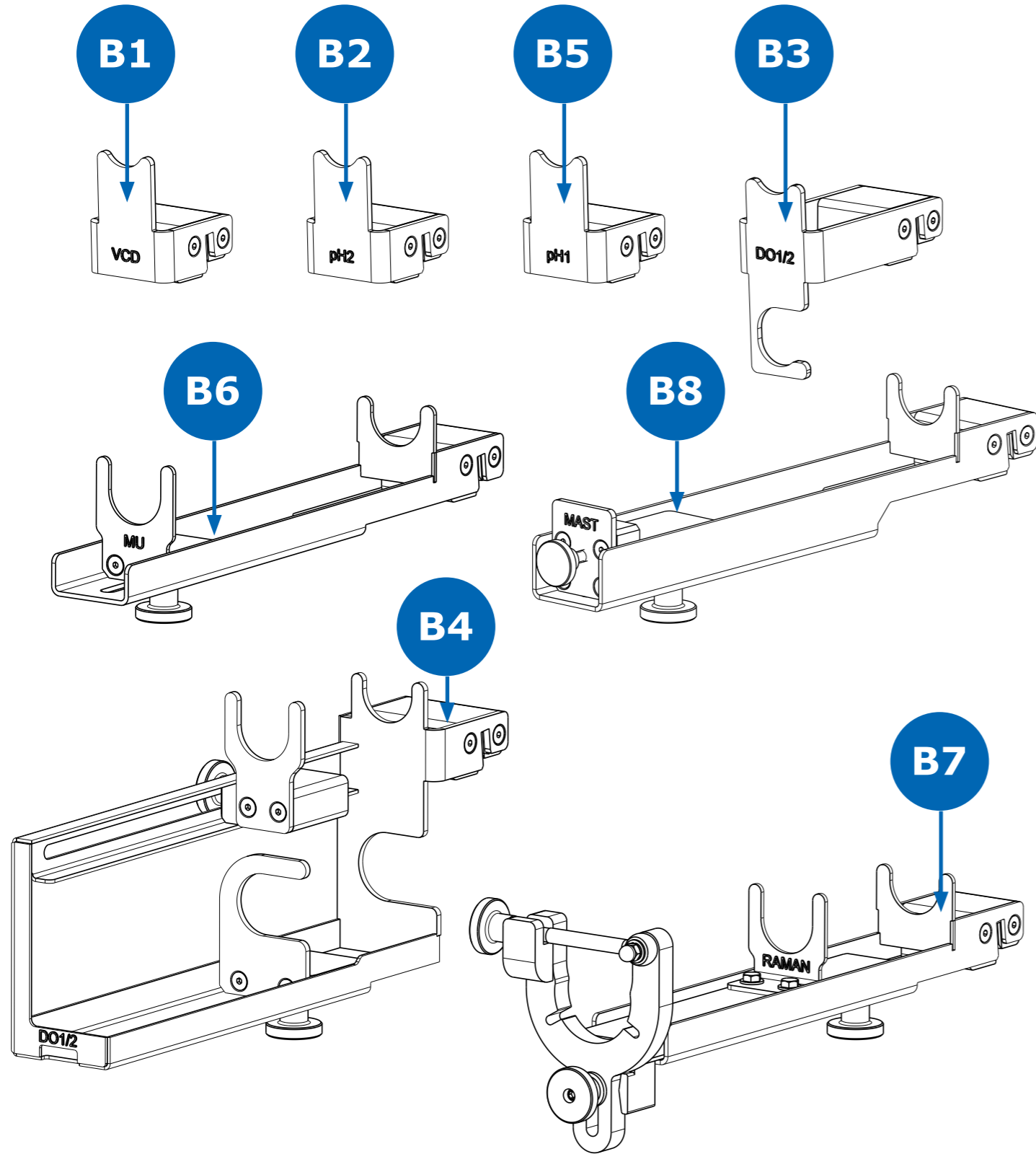


2000 L (Continued)

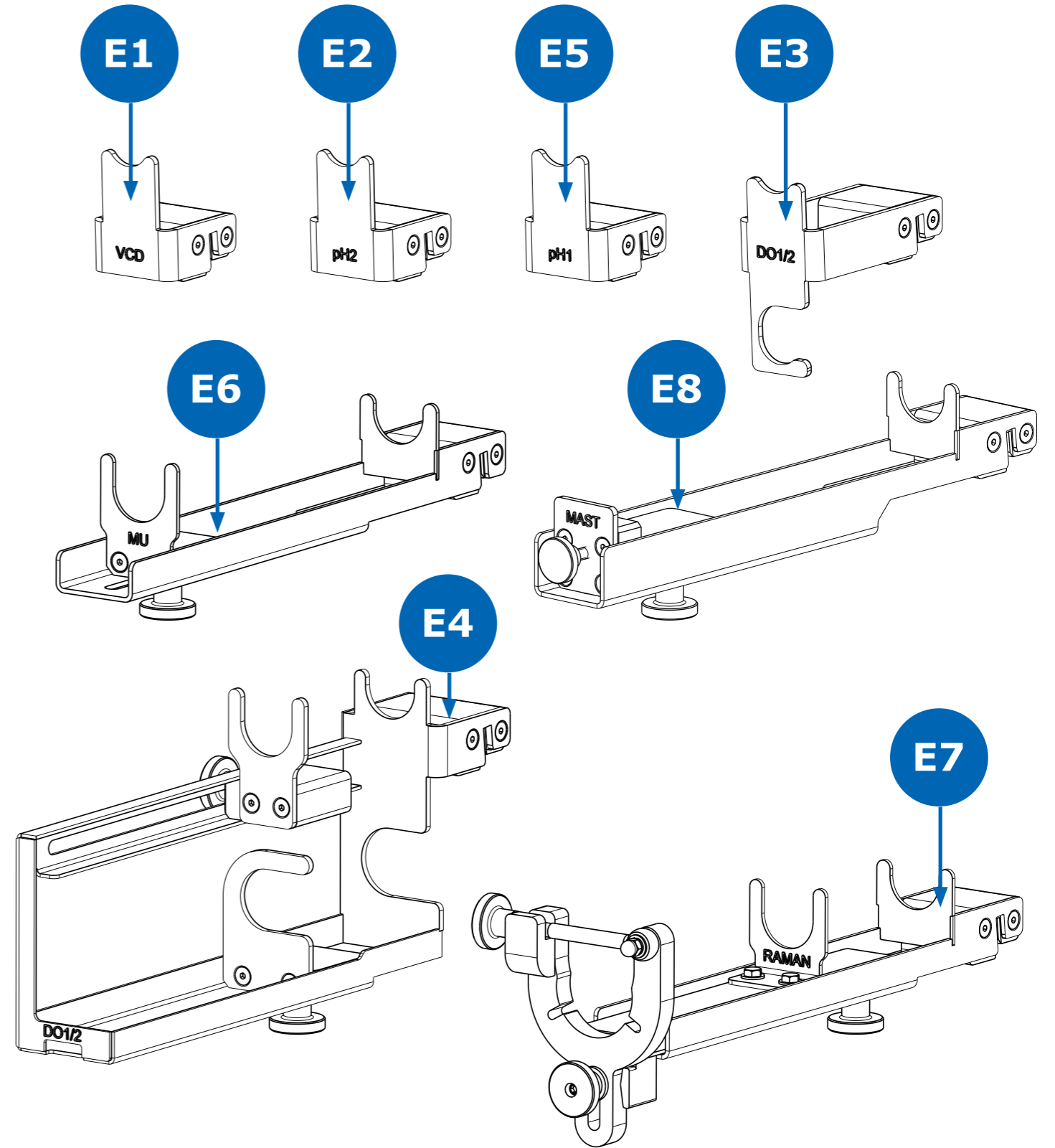


Accessories Spare Parts

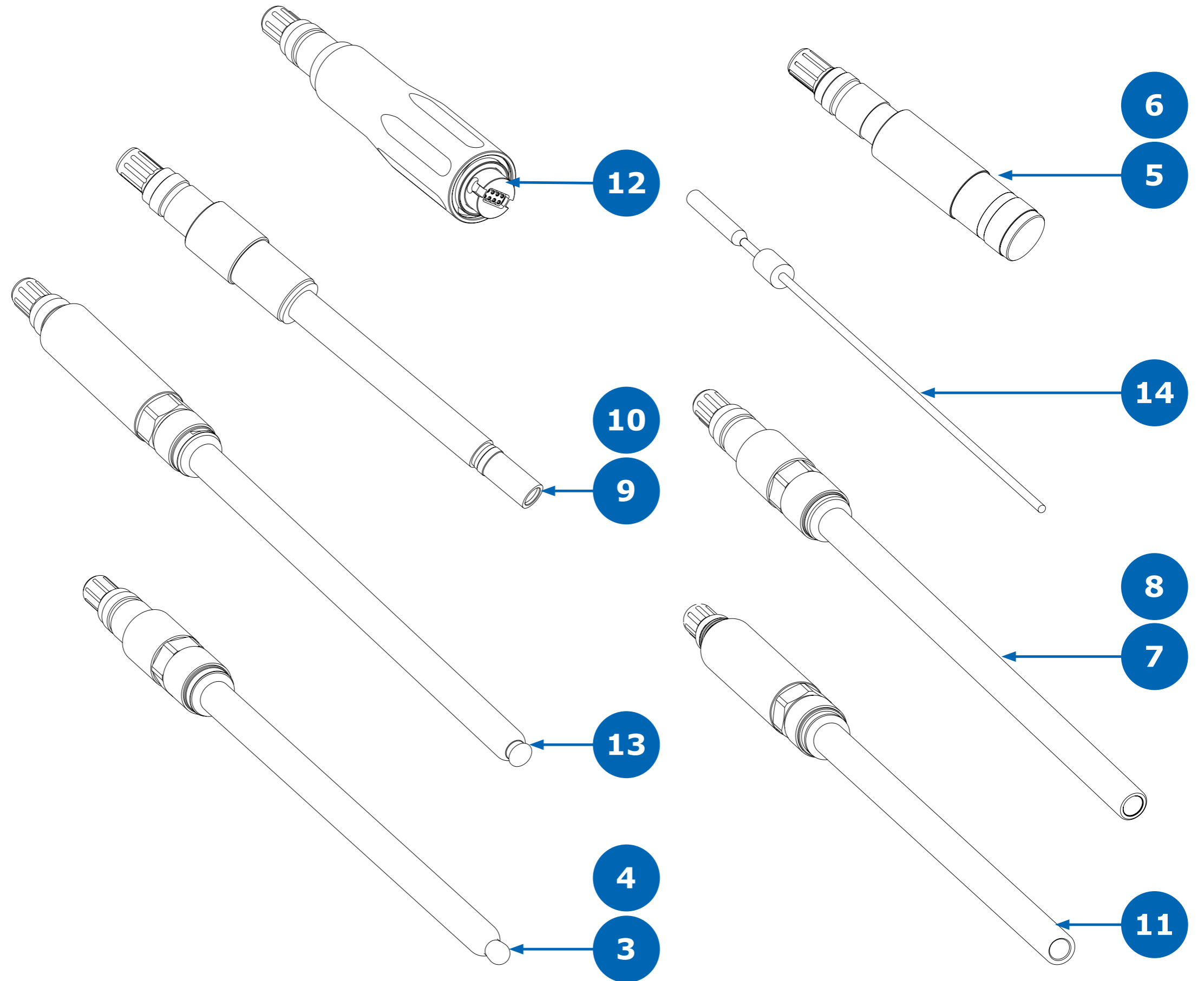
HOLDERS 200 L



HOLDERS 2000 L



Sensors and Probes Spare Parts



For more information, please visit
www.sigmaaldrich.com

